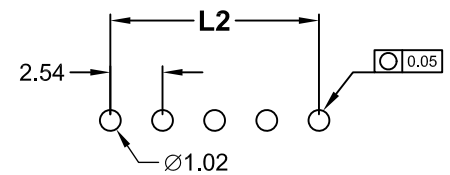
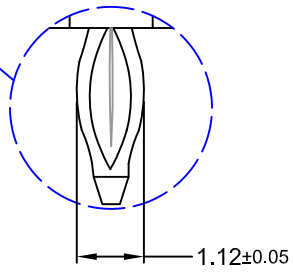
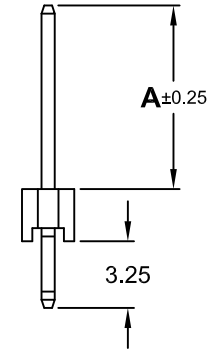
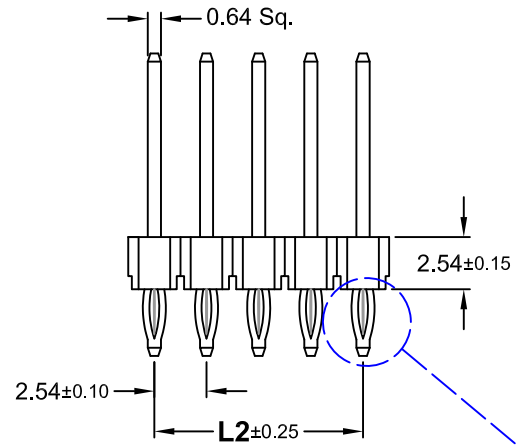
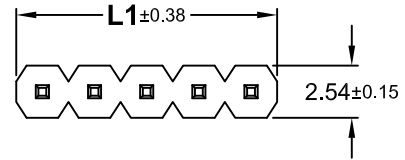


No. of Pins	Dimension mm	
	L1	L2
002	5.08	2.54
003	7.62	5.08
004	10.16	7.62
005	12.70	10.16
006	15.24	12.70
007	17.78	15.24
008	20.32	17.78
009	22.86	20.32
010	25.40	22.86
011	27.94	25.40
012	30.48	27.94
013	33.02	30.48
014	35.56	33.02
015	38.10	35.56
016	40.64	38.10
017	43.18	40.64
018	45.72	43.18
019	48.26	45.72
020	50.80	48.26
021	53.34	50.80
022	55.88	53.34
023	58.42	55.88
024	60.96	58.42
025	63.50	60.96
026	66.04	63.50
027	68.58	66.04
028	71.12	68.58
029	73.66	71.12
030	76.20	73.66
031	78.74	76.20
032	81.28	78.74
033	83.82	81.28
034	86.36	83.82
035	88.90	86.36
036	91.44	88.90
037	93.98	91.44
038	96.52	93.98
039	99.06	96.52
040	101.60	99.06

REV.	DESCRIPTION	DATE	DRAWN
A	New	10.12.2013	Ronny
F	add color option	19.09.2019	Ronny
G	add Pin code "177/12" & Brass-> PhBz	02.01.2020	Cherry
H	general update	27.08.2021	Ronny



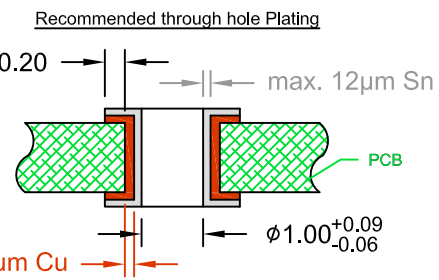
Recommended PCB Layout Top View  
(Tolerance ±0.05)

### Order Code

## SL1-xxx-SHP X xxx/xx-xx

No. of Pins: 002 to 040 see table  
 Color option: no suffix = black, nature = A  
 Plating: 55 = Gold flash (Standard), 95 = Tin/Gold flash, 99 = Tin, others on request

Pin Code	Dim. "A" (mm)
121/02	6.30
177/12	11.90
290/01	23.20
298/01	24.00
302/01	24.40
other Dimension on request	



### Specifications

**Electrical**  
 Current rating: 3A  
 Insulation resistance: 5000MΩ min.  
 Contact resistance: 20mΩ max.  
 Voltage rating: 230V AC max.  
 Withstanding voltage: 500V AC / Minute

**Material**  
 Contact: Phosphor Bronze  
 Plating: Gold flash or Tin plated  
 Insulator: PA6T (black) UL 94V-0  
 Operating temperature: -40°C +105°C



E-tec 2021 © - all rights reserved www.e-tec.asia



UNIT	mm	GENERAL TOLERANCE		DRAWN	DATE	DWG. NO.	SHEET 1/1
SCALE	Free	X.° ±	X. ±	Ronny	10.12.2013	SL2-SHP	REV. H
		.X° ±	.X ±	Ronny	27.08.2021	SERIES NO.	
		.XX° ±	.XX ± 0.25	Fagi	27.08.2021	SL1-xxx-SHPXxxx/xx-xx	
		.XXX° ±	.XXX ±				

**"Press Fit" Pin Header**  
 2.54mm pitch  
 Dual Row - Straight