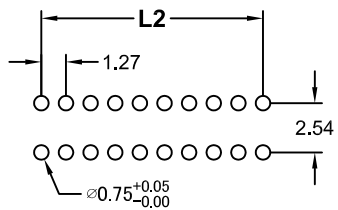
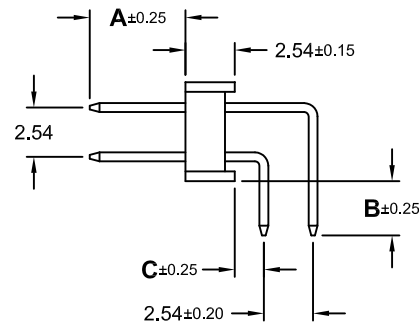
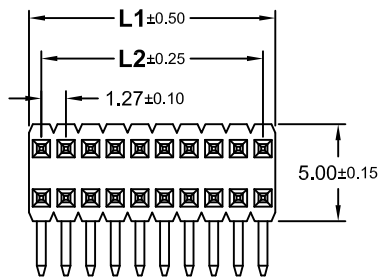
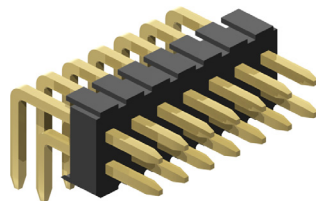
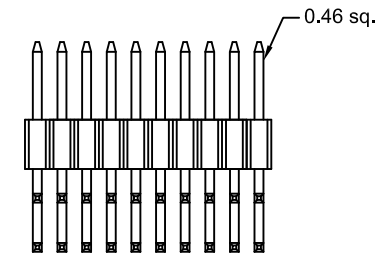


No. of Pins	Dimension (mm)	
	L1	L2
004	2,54	1,27
006	3,81	2,54
008	5,08	3,81
010	6,35	5,08
012	7,62	6,35
014	8,89	7,62
016	10,16	8,89
018	11,43	10,16
020	12,70	11,43
022	13,97	12,70
024	15,24	13,97
026	16,51	15,24
028	17,78	16,51
030	19,05	17,78
032	20,32	19,05
034	21,59	20,32
036	22,86	21,59
038	24,13	22,86
040	25,40	24,13
042	26,67	25,40
044	27,94	26,67
046	29,21	27,94
048	30,48	29,21
050	31,75	30,48
052	33,02	31,75
054	34,29	33,02
056	35,56	34,29
058	36,83	35,56
060	38,10	36,83
062	39,37	38,10
064	40,64	39,37
066	41,91	40,64
068	43,18	41,91
070	44,45	43,18
072	45,72	44,45
074	46,99	45,72
076	48,26	46,99
078	49,53	48,26
080	50,80	49,53
082	52,07	50,80
084	53,34	52,07
086	54,61	53,34
088	55,88	54,61
090	57,15	55,88
092	58,42	57,15
094	59,69	58,42
096	60,96	59,69
098	62,23	60,96
100	63,50	62,23



Recommended PCB Layout Top View
(Tolerance ±0.05)

REV.	DESCRIPTION	DATE	DRAWN
A	New	22.10.2013	Ryan
B	update	22.10.2013	Ronny
C	add material code "RN" & Pin code "103/02"	02.10.2017	Ronny
D	general update	07.03.2019	Ronny

Order Code

SL2-xxx-R xxx/x-xx/1

No. of Pin
004 to 100

Plating

Material
PA6T = **R**
PA9T = **RN**

- 55** = Gold flash (Standard)
 - 66** = 10µ" Gold
 - 77** = 15µ" Gold
 - 88** = 30µ" Gold
 - 99** = Tin
- Duplex plating
- 95** = Tin/Gold flash
 - 96** = Tin/10µ" Gold
 - 97** = Tin/15µ" Gold
 - 98** = Tin/30µ" Gold

Pin Code	Dim."A" (mm)	Dim."B" (mm)	Dim."C" (mm)
111/01	2.50	3.60	1.50
103/02	2.80	2.60	1.43
105/01	3.00	2.60	1.50
118/03	3.20	3.60	1.50
135/01	6.00	2.50	1.50
144/03	5.80	3.60	1.50

Specifications

Electrical

Current rating: 1A
Insulation resistance: 1000MΩ min.
Contact resistance: 20mΩ max.
Withstanding voltage: 500V AC / Minute

Material

Contact: Brass
Plating: Gold, Tin or Duplex
*Duplex = Tin on solder, Gold on contact area
Insulator: PA6T or PA9T(black) UL 94V-0

Operating temperature: -40°C to +105°C



E-tec 2019 © - all rights reserved www.e-tec.asia



UNIT	GENERAL TOLERANCE		DRAWN	DATE	DWG. NO.	SHEET 1/1
mm	X.° ±	X. ±	Ryan	22.10.2013	SL2-R/1	
SCALE	.X° ±	.X ±	Hogi	07.03.2019		REV. D
	.XX° ±	.XX ± 0.25	APPROVE	DATE	SERIES NO.	
	.XXX° ±	.XXX ±	Hogi	07.03.2019	SL2-xxx-Rxxx/x-xx/1	

Pin Header
1.27mm x 2.54mm Pitch -THT-
Right Angle Dual Row
2.50mm profile Insulator