

REV.	DESCRIPTION	DATE	DRAWN
A	New	05.12.2013	Ronny
C	add 100 pin	29.05.2017	RH
D	general update	10.09.2018	RH
E	general update	23.01.2019	Ronny
F	Remove Plating Options 95 and 9L5	21.01.2020	Cheng

Order Code
MBC-xxx-QFH38-xx/11G

Plating

- 96 = Tin/10µ" Gold
- 97 = Tin/15µ" Gold
- 98 = Tin/30µ" Gold

No. of Contacts	Dimension mm				
	A	B	C	D	E
012	12.70	9.37	6.35	8.37	10.77
020	17.78	14.45	11.43	13.45	15.85
026	21.59	18.26	15.24	17.26	19.66
032	25.40	22.07	19.05	21.07	23.47
040	30.48	27.15	24.13	26.15	28.55
050	36.83	33.50	30.48	32.50	34.90
068	48.26	44.93	41.91	43.93	46.33
080	55.88	52.55	49.53	51.55	53.95
100	68.58	65.25	62.23	64.25	66.65

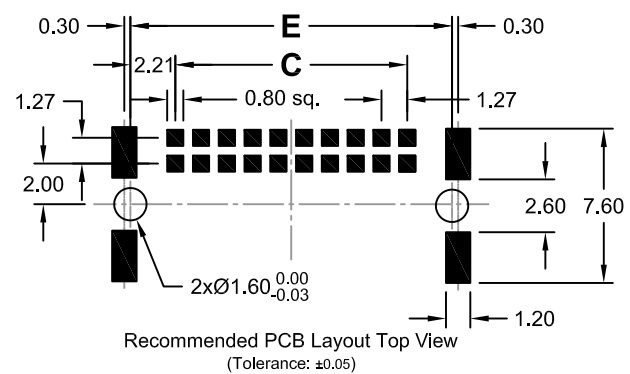
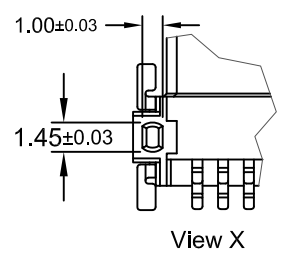
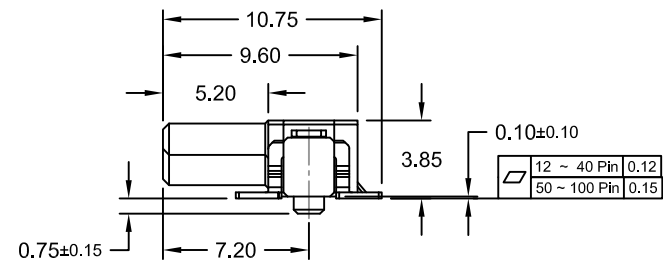
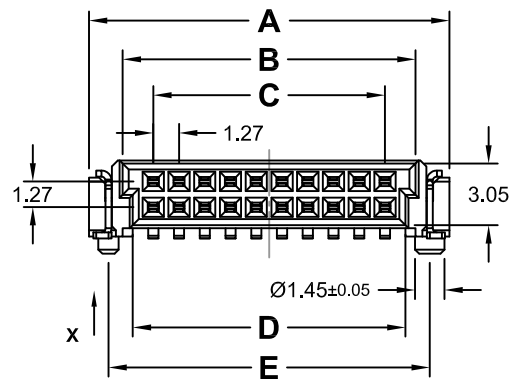
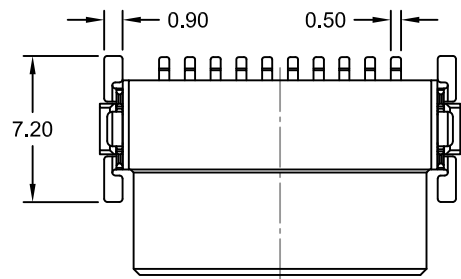
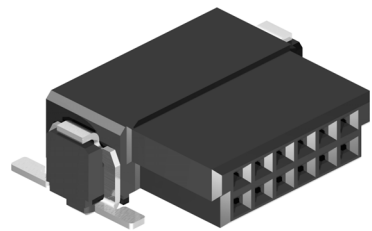


Material

Contact: Copper Alloy
 Plating: Tin on solder, Gold on contact area
 Insulator: High Temperature Thermoplastic (black)
 UL 94V-0

Operating temperature: -55°C to +125°C
 Processing temperature: +260°C +0/-5°C
 for 5 seconds

Packing: Reel



Specifications

Electrical
 Current rating: 0.5 ~ 1.0A
 Insulation resistance: 10000MΩ min.
 Contact resistance: 25mΩ max.
 Withstanding voltage: 500V

E-tec 2020 © - all rights reserved www.e-tec.asia



UNIT mm	GENERAL TOLERANCE		DRAWN Ronny	DATE 10.01.2017	DWG. NO. MBC-QFH38/11	SHEET 1/1
	SCALE Free	X° ±	X. ±	CHECK Cheng	DATE 21.01.2020	REV. F
		.XX° ±	.XX ± 0.25	APPROVE Fagi	DATE 21.01.2020	SERIES NO. MBC-xxx-QFH38-xx/11G
		.XXX° ±	.XXX ±			

Multi BUS/Backplane Connector
B-Type Male SMT horizontal
 1.27mm Pitch - Height 4.20mm
Compatible to ERNI INTERact® Series SMC Type