

| REV. | DESCRIPTION                                | DATE       | DRAWN |
|------|--|------------|-------|
| A    | New  | 05.12.2013 | Ronny |
| D    | add 10 P & 20P                             | 10.12.2018 | RH    |
| E    | Design and solder feet improvement         | 18.12.2018 | RH    |
| F    | take away -> 82 = 8.20mm                   | 23.01.2019 | Ronny |
| G    | Remove Plating Option 95 & 9L5, Add view X | 23.01.2020 | Cheng |

**Order Code**  
**MBC-xxx-QMV67-xx/11E**

Plating  
**96** = Tin/10µ" Gold  
**97** = Tin/15µ" Gold  
**98** = Tin/30µ" Gold

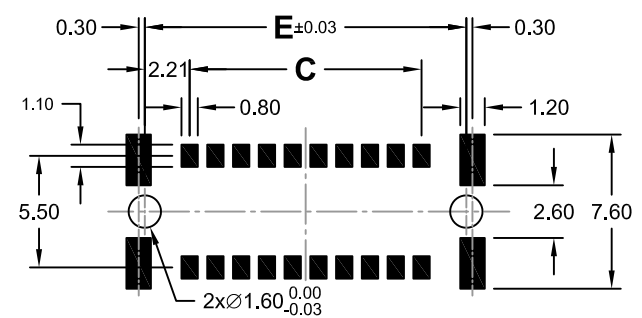
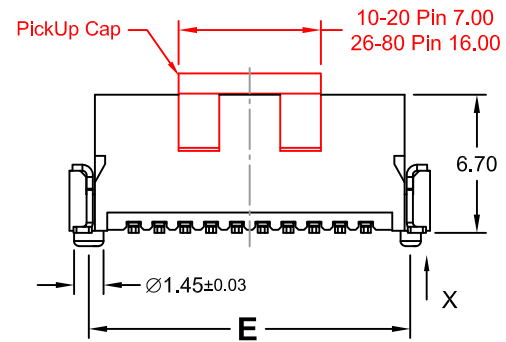
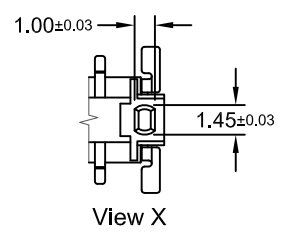
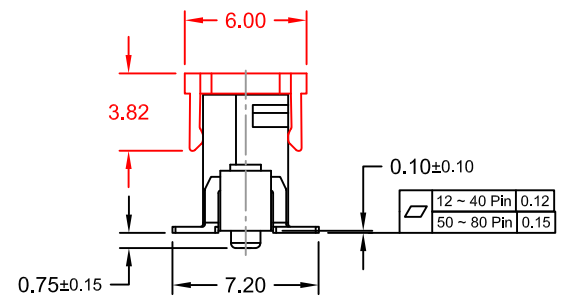
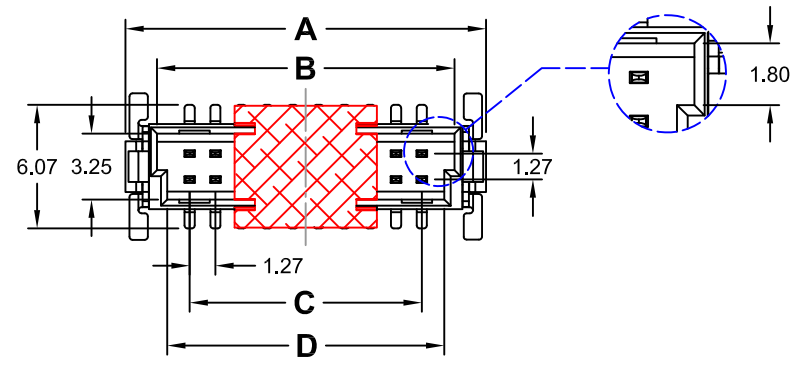
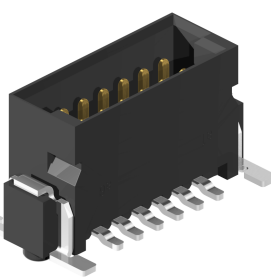
| No. of Pins | Dimension mm |       |       |       |       |
|-------------|--------------|-------|-------|-------|-------|
|             | A            | B     | C     | D     | E     |
| 010         | 11.43        | 8.30  | 5.08  | 7.30  | 9.50  |
| 012         | 12.70        | 9.57  | 6.35  | 8.57  | 10.77 |
| 016         | 15.24        | 12.11 | 8.89  | 11.11 | 13.31 |
| 020         | 17.78        | 14.65 | 11.43 | 13.65 | 15.85 |
| 026         | 21.59        | 18.46 | 15.24 | 17.46 | 19.66 |
| 030         | 24.13        | 21.00 | 17.78 | 20.00 | 22.20 |
| 032         | 25.40        | 22.27 | 19.05 | 21.27 | 23.47 |
| 040         | 30.48        | 27.35 | 24.13 | 26.35 | 28.55 |
| 050         | 36.83        | 33.70 | 30.48 | 32.70 | 34.90 |
| 068         | 48.26        | 45.13 | 41.91 | 44.13 | 46.33 |
| 080         | 55.88        | 52.75 | 49.53 | 51.75 | 53.95 |



**Material**  
Contact: Copper Alloy  
Plating: Tin on solder, Gold on contact area  
Insulator: High Temperature Thermoplastic (black)  
UL 94V-0

Operating temperature: -55°C to +125°C  
Processing temperature: +260°C +0/-5°C  
for 5 seconds

**Packing: Reel**



Recommended PCB Layout Top View  
(Tolerance ±0.05)

**Specifications**

**Electrical**  
Current rating: 0.5 ~ 1.0A  
Insulation resistance: 10000MΩ min.  
Contact resistance: 25mΩ max.  
Withstanding voltage: 500V

E-tec 2020 © - all rights reserved www.e-tec.asia



|       |      |                   |            |       |            |                      |           |
|-------|------|-------------------|------------|-------|------------|----------------------|-----------|
| UNIT  | mm   | GENERAL TOLERANCE |            | DRAWN | DATE       | DWG. NO.             | SHEET 1/1 |
| SCALE | Free | X.° ±             | X. ±       | Ronny | 10.01.2017 | MBC-QFH38/11         | REV. G    |
|       |      | .XX° ±            | .X ±       | Cheng | 23.01.2020 | SERIES NO.           |           |
|       |      | .XXX° ±           | .XX ± 0.25 | Fagi  | 23.01.2020 | MBC-xxx-QFH38-xx/11G |           |

**Multi BUS/Backplane Connector**  
**Q-Type Male SMT vertical**  
1.27mm Pitch - Height 6.70mm  
Compatible to ERNI INTERact® Series SMC Type