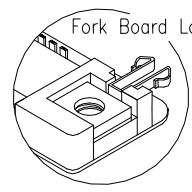
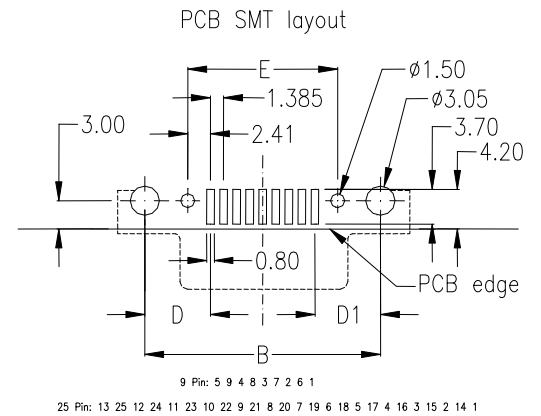
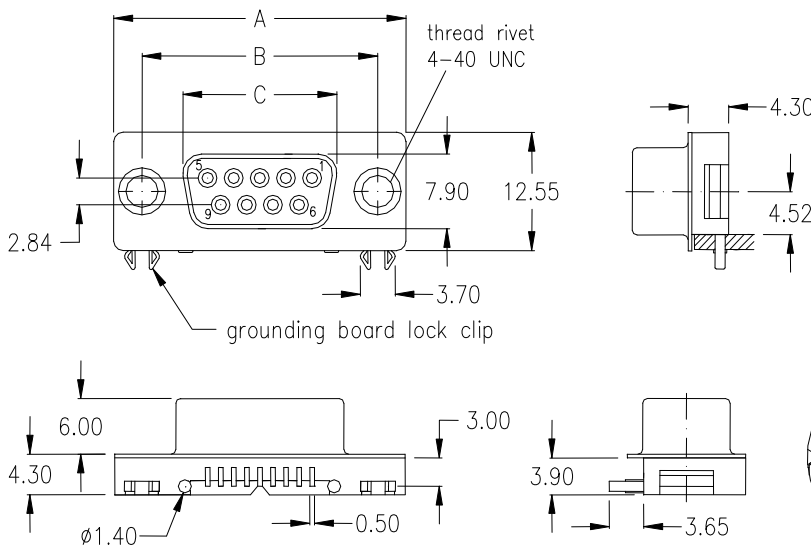


**female** – with fork board lock type –



**Special product.**  
Please ask for availability and minimum order quantity before you consider the article for development, design in or production purposes.

for technical & electrical specification please go to page 72

No. of contacts	Dimension					
	A	B	C	D	D1	E
<b>009</b>	30.81 1.213	24.99 .984	16.33 .643	6.96 .274	6.96 .274	15.90 .626
<b>025</b>	53.04 2.088	47.04 1.852	38.38 1.511	6.90 .272	6.90 .272	38.06 1.498

**Ordering Code**

**SSF - xxx - U908 - 95 / N**

No. of contacts

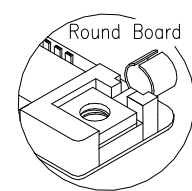
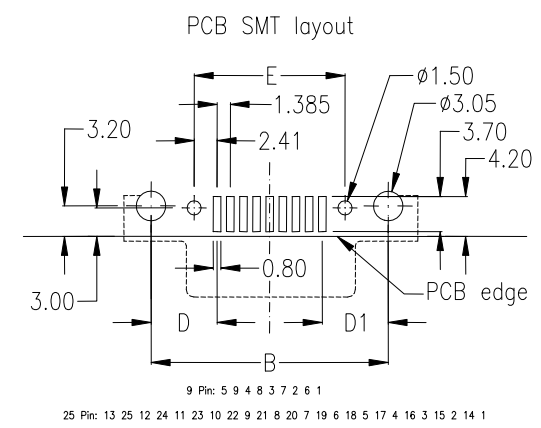
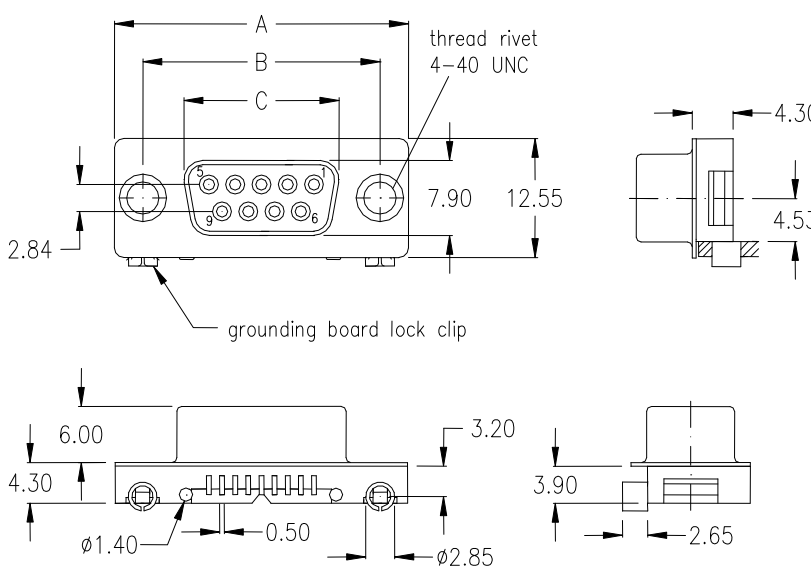
Plating: -95= tin(leadfree)/gold

**Option:**

Jack Screw has to be ordered separately.

See page 70

**female** – with round board lock type –



**Special product.**  
Please ask for availability and minimum order quantity before you consider the article for development, design in or production purposes.

for technical & electrical specification please go to page 72

No. of contacts	Dimension					
	A	B	C	D	D1	E
<b>009</b>	30.81 1.213	24.99 .984	16.33 .643	6.96 .274	6.96 .274	15.90 .626
<b>025</b>	53.04 2.088	47.04 1.852	38.38 1.511	6.90 .272	6.90 .272	38.06 1.498

**Ordering Code**

**SSF - xxx - U908 - 95 / R**

No. of contacts

Plating: -95= tin(leadfree)/gold

**Option:**

Jack Screw has to be ordered separately.

See page 70