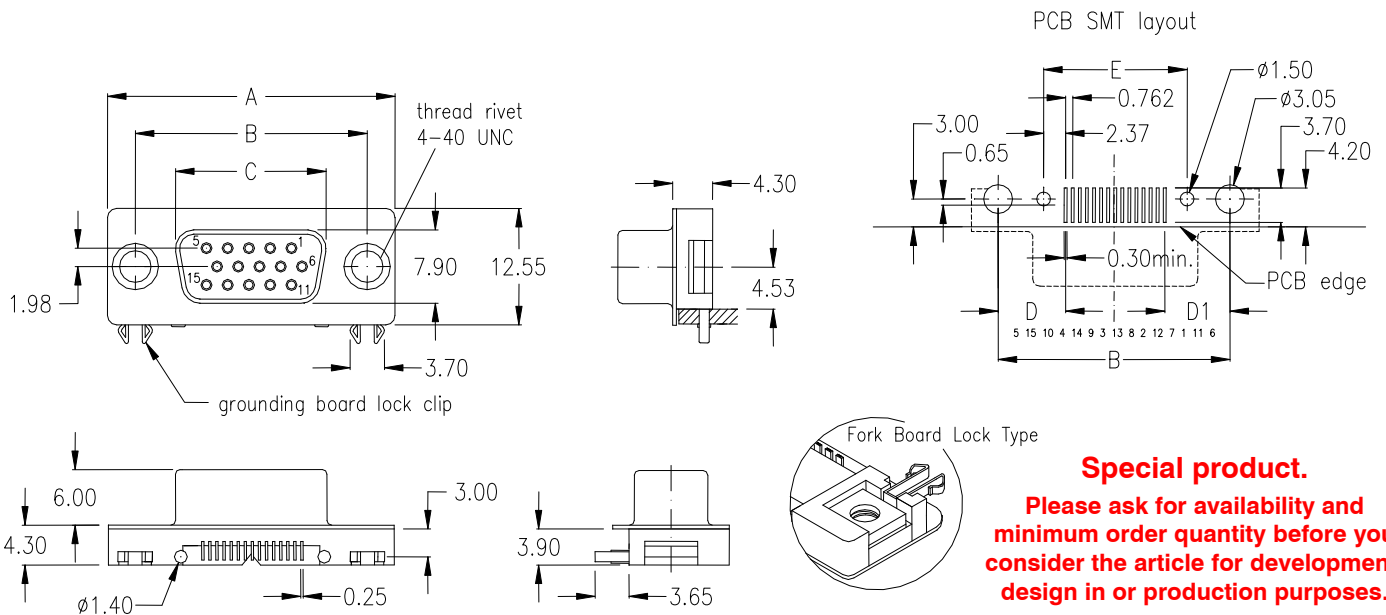


female – with fork board lock type –



for technical & electrical specification please go to page 72

No. of contacts	Dimension					
	A	B	C	D	D1	E
015	30.81 1.213	24.99 .984	16.33 .643	7.296 .287	7.026 .277	15.46 .609

Ordering Code

SSF - 015 - HU98 - 95 / N

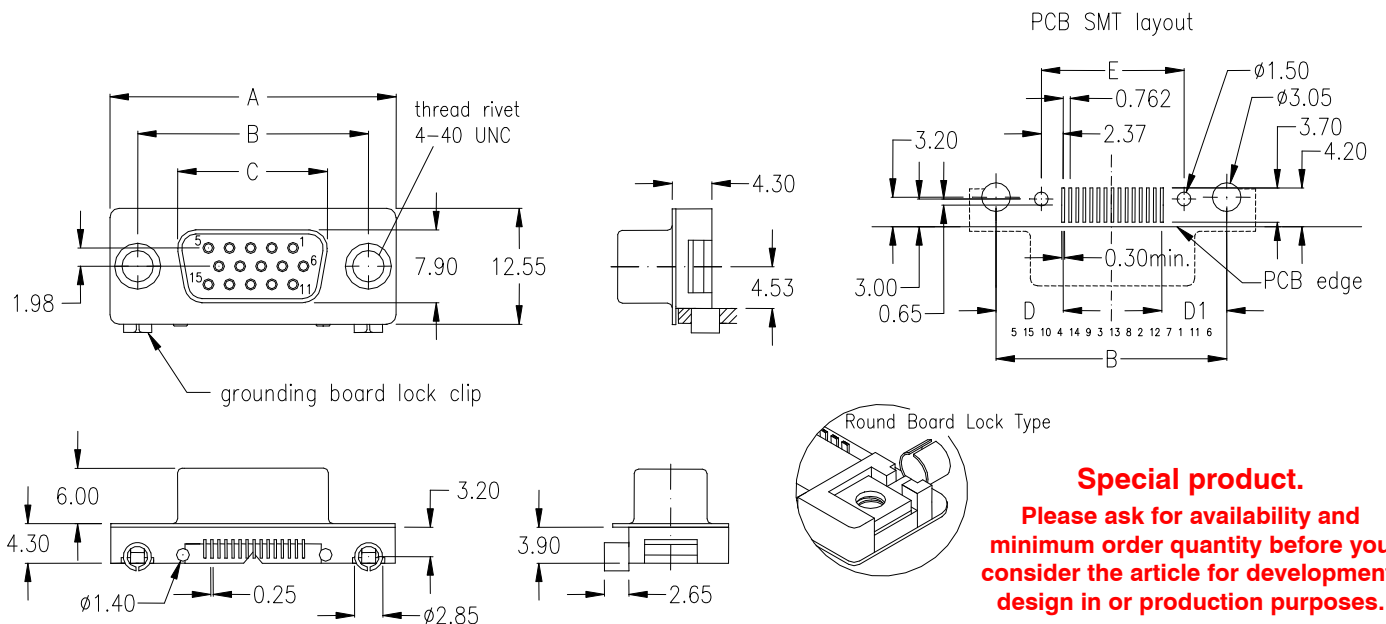
Option:

Jack Screw has to be ordered separately.

See page 70

Plating: -95= tin(leadfree)/gold

female – with round board lock type –



for technical & electrical specification please go to page 72

No. of contacts	Dimension					
	A	B	C	D	D1	E
015	30.81 1.213	24.99 .984	16.33 .643	7.296 .287	7.026 .277	15.46 .609

Ordering Code

SSF - 015 - HU98 - 95 / R

Option:

Jack Screw has to be ordered separately.

See page 70

Plating: -95= tin(leadfree)/gold