

Ordering Code

Special product.

Please ask for availability and minimum order quantity before you consider the article for development, design in or production purposes.

SDM - xxx - N 900 - 95/ XxXX

No. of contacts

Option

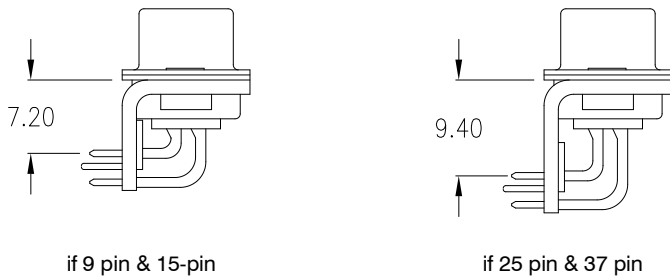
Stamped contact

Plating: -95 = tin(leadfree)/gold

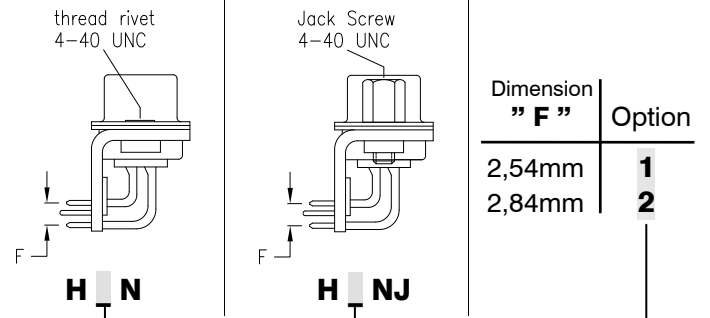
General Specification page 72

No. of contacts	Dimension				
	A	B	C	D if "F"=2,54	D if "F"=2,84
009	30.81 1.213	24.99 .984	16.92 .666	8.47 .333	8.47 .333
015	39.14 1.541	33.32 1.312	25.25 .994	8.47 .333	8.47 .333
025	53.04 2.088	47.04 1.852	38.96 1.534	10.67 .420	10.67 .420
037	69.32 2.729	63.50 2.500	55.42 2.182	10.67 .420	10.67 .420

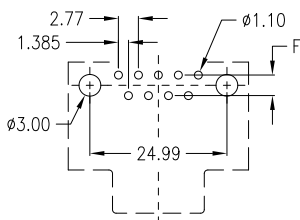
Dimension "E"



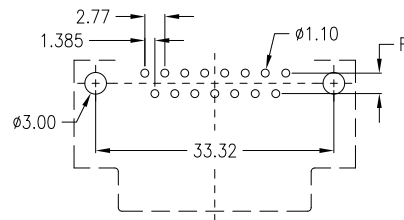
Options



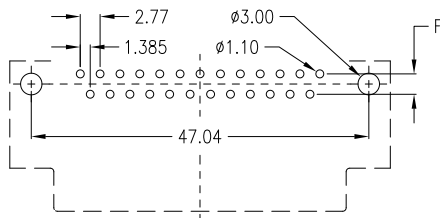
PCB Layout „male“



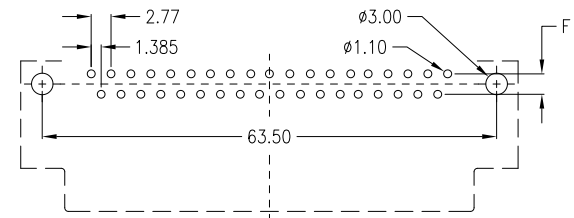
9 pin



15 pin



25 pin



37 pin