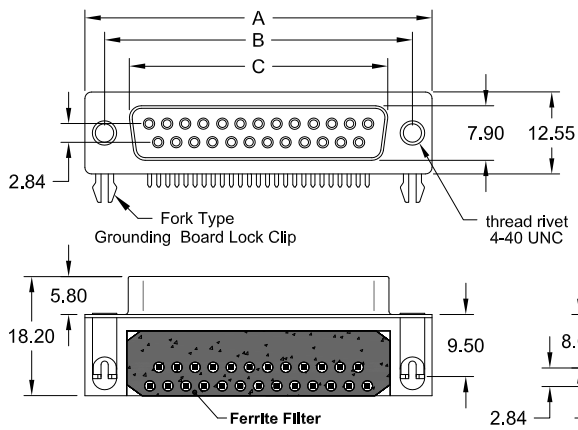




female



PCB hole layout on page 29

No. of contacts	Dimension		
	A	B	C
009	30.81	24.99	16.33
	1.213	.984	.643
015	39.20	33.30	24.70
	1.543	1.311	.972
025	53.05	47.04	38.40
	2.088	1.852	1.512
037	69.40	63.50	54.80
	2.732	2.500	2.157

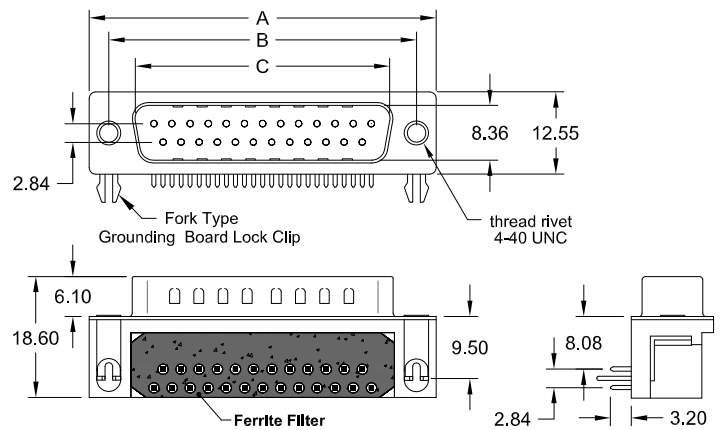
Ordering Code

SFF - xxx - N900 - 95 / XX

No. of contacts

Option

male



PCB hole layout on page 29

No. of contacts	Dimension		
	A	B	C
009	30.81	24.99	16.92
	1.213	.984	.666
015	39.20	33.30	25.25
	1.543	1.311	.994
025	53.05	47.04	38.96
	2.088	1.852	1.534
037	69.40	63.50	55.42
	2.732	2.500	2.182

Ordering Code

SFM - xxx - N900 - 95 / XX

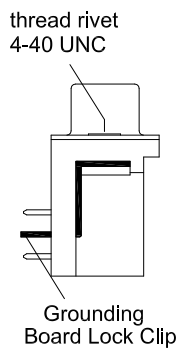
No. of contacts

Option

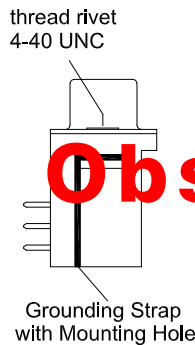
Plating: -95 = tin(leadfree)/gold

General Specification page 72

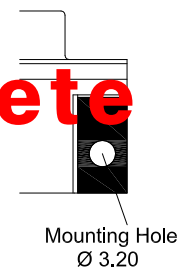
Options



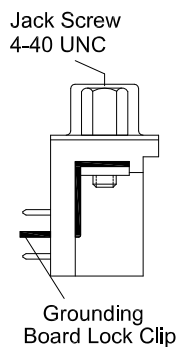
N



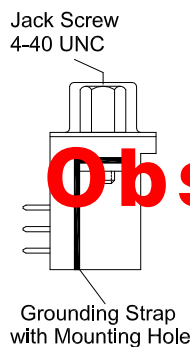
H



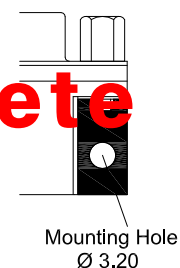
Obsolete



NJ



HJ



Obsolete