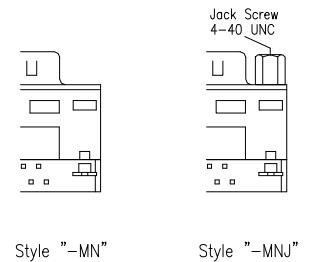
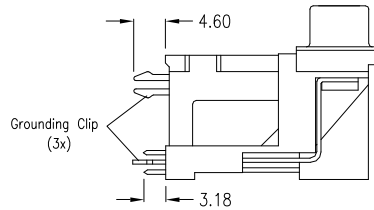
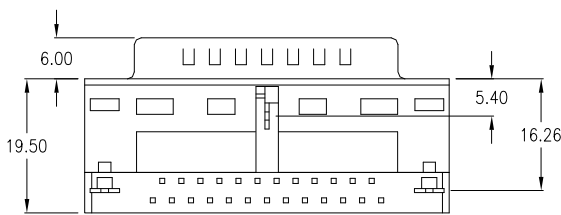
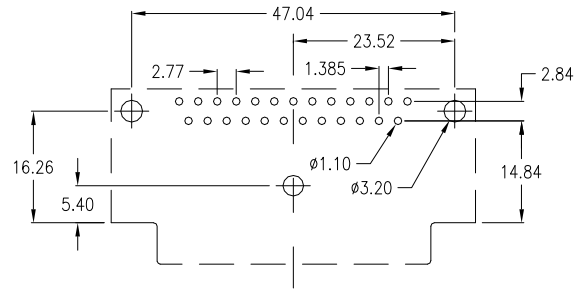
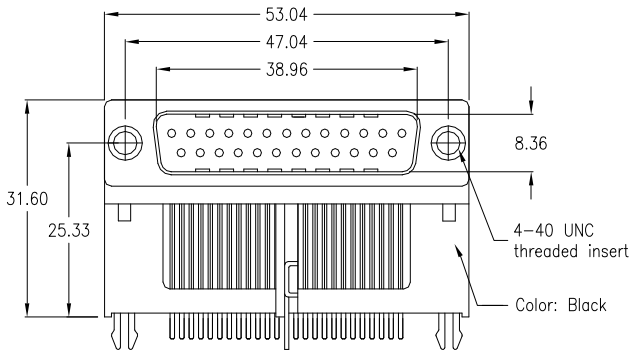


**25-pin male raised**



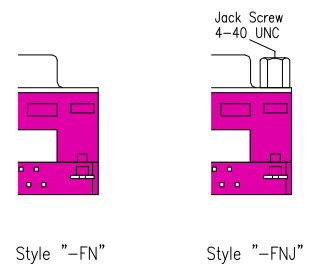
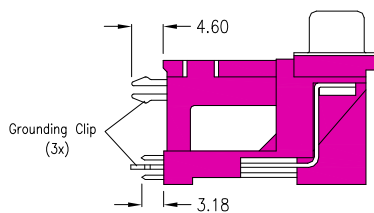
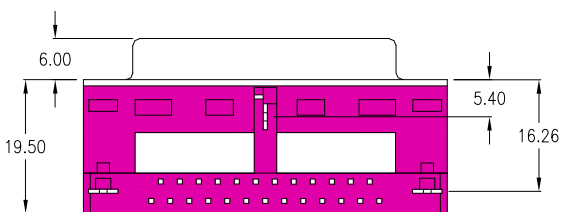
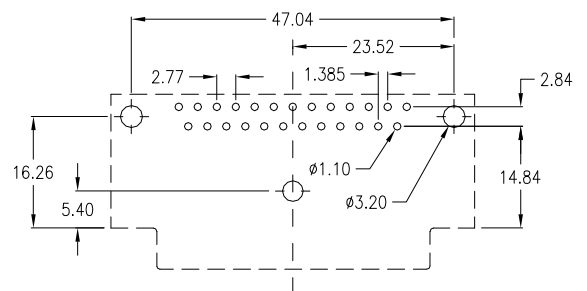
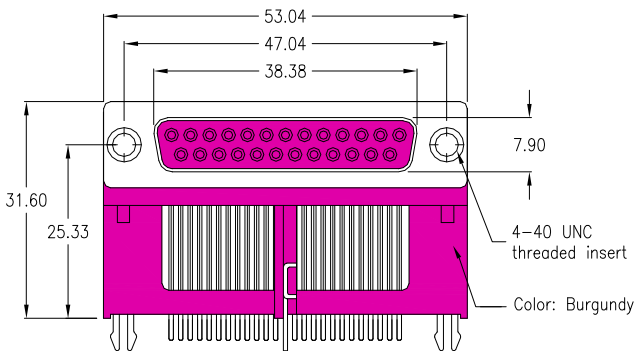
with 3 grounding clips;  
w/o jack screws  
*Standard*  
( as above drawing )

with 3 grounding clips;  
2 jack screws 4-40 UNC  
mounted  
*Option*

SDD-2500-2-95-MN

SDD-2500-2-95-MNJ

**25-pin female raised**



with 3 grounding clips;  
w/o jack screws  
*Standard*  
( as above drawing )

with 3 grounding clips;  
2 jack screws 4-40 UNC  
mounted  
*Option*

SDD-2500-2-95-FN

SDD-2500-2-95-FNJ