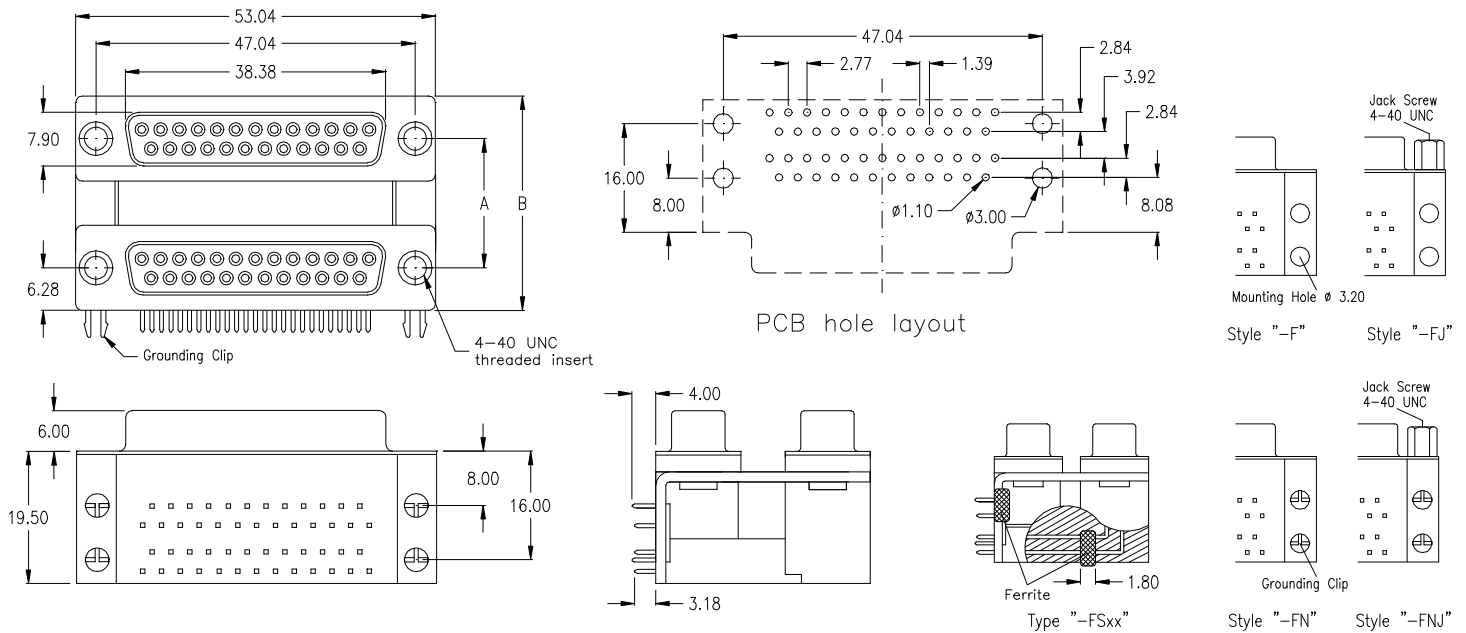
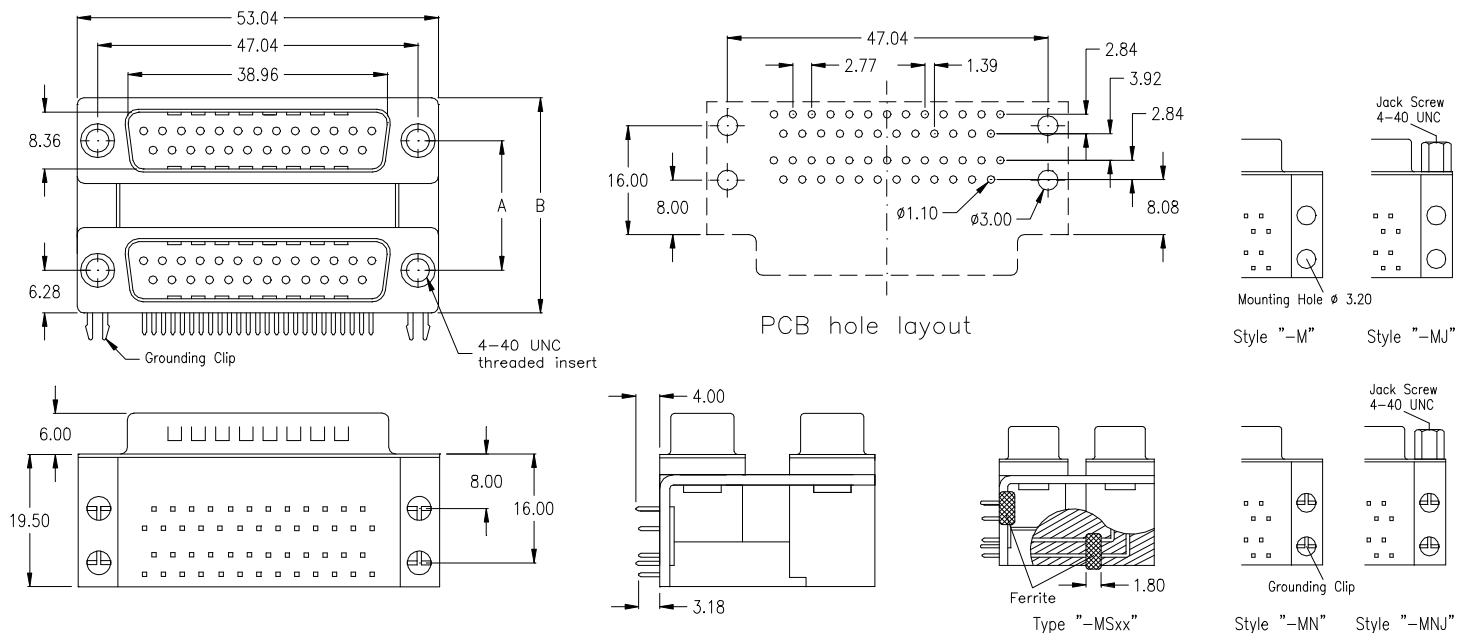


25-pin female / 25-pin female



without grounding clips just 4 mounting holes	without grounding clips, just 4 mounting holes; 4 jack screws 4-40 UNC mounted	with 4 grounding clips (as above drawing)	with 4 grounding clips; 4 jack screws 4-40 UNC mounted	Distance Dimensions	
SDD-2525-1-95-F	SDD-2525-1-95-FJ	SDD-2525-1-95-FN	SDD-2525-1-95-FNJ	„A“ = 22.86	„B“ = 35.41
SDD-2525-2-95-F	SDD-2525-2-95-FJ	SDD-2525-2-95-FN	SDD-2525-2-95-FNJ	„A“ = 19.05	„B“ = 31.60
SDD-2525-3-95-F	SDD-2525-3-95-FJ	SDD-2525-3-95-FN	SDD-2525-3-95-FNJ	„A“ = 15.87	„B“ = 28.42
if with Ferrite Filter: -FS	if with Ferrite Filter: -FSJ	if with Ferrite Filter: -FSN	if with Ferrite Filter: -FSNJ		

25-pin male / 25-pin male



without grounding clips just 4 mounting holes	without grounding clips, just 4 mounting holes; 4 jack screws 4-40 UNC mounted	with 4 grounding clips (as above drawing)	with 4 grounding clips; 4 jack screws 4-40 UNC mounted	Distance Dimensions	
SDD-2525-1-95-M	SDD-2525-1-95-MJ	SDD-2525-1-95-MN	SDD-2525-1-95-MNJ	„A“ = 22.86	„B“ = 35.41
SDD-2525-2-95-M	SDD-2525-2-95-MJ	SDD-2525-2-95-MN	SDD-2525-2-95-MNJ	„A“ = 19.05	„B“ = 31.60
SDD-2525-3-95-M	SDD-2525-3-95-MJ	SDD-2525-3-95-MN	SDD-2525-3-95-MNJ	„A“ = 15.87	„B“ = 28.42
if with Ferrite Filter: -MS	if with Ferrite Filter: -MSJ	if with Ferrite Filter: -MSN	if with Ferrite Filter: -MSNJ		