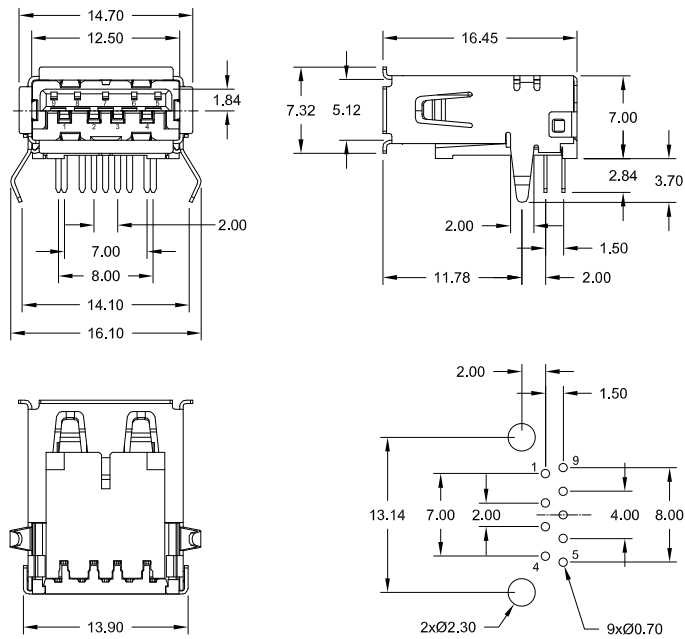


# USS Series USB 3.0 Connector Type „A”

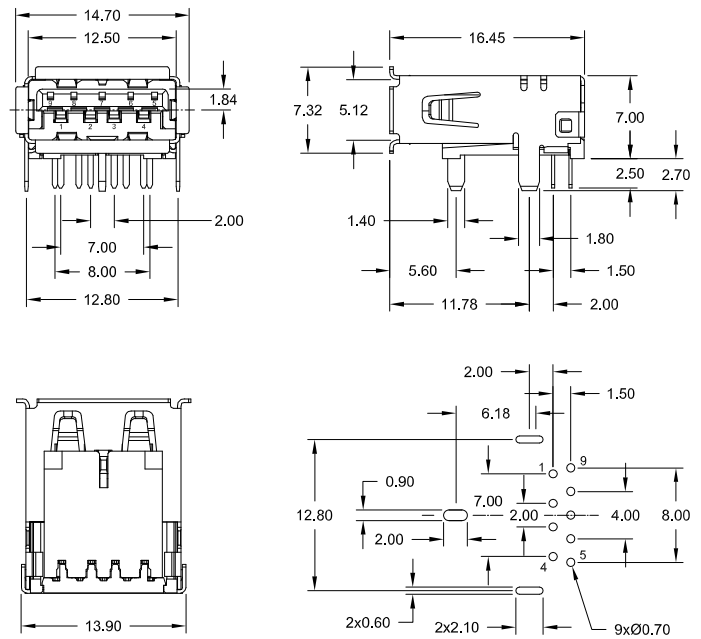


single port right angle; THT “kinked” gnd. Tabs



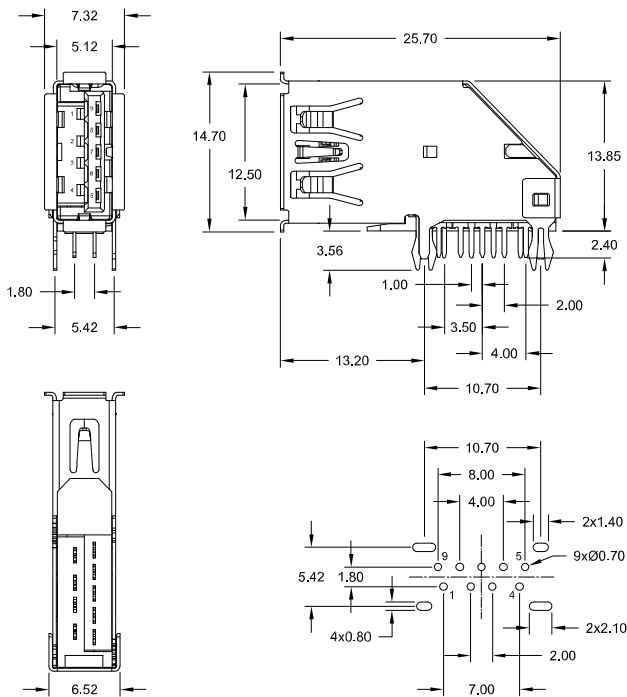
ORDER CODE: **USS - BU09 - RA31 - 98**

single port right angle; THR “straight” gnd. Tabs



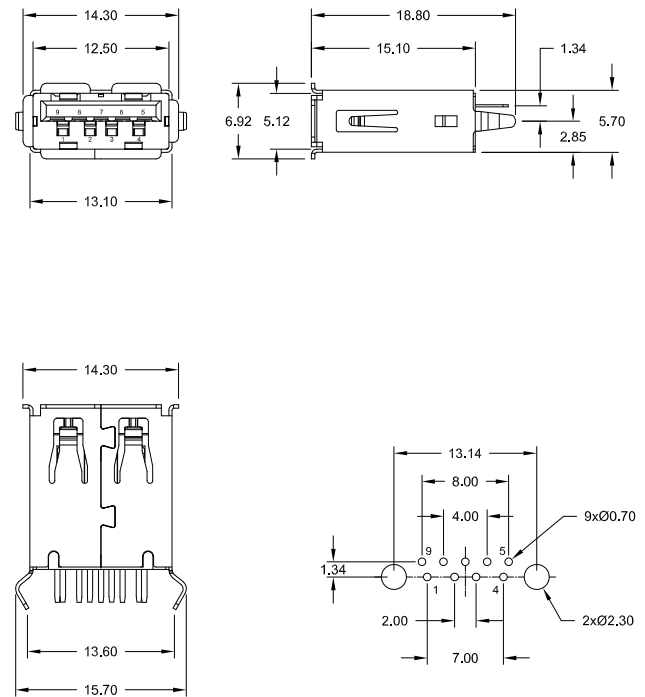
ORDER CODE: **USS - BU09 - RRAS31 - 98**

single port “upright” right angle; THT



ORDER CODE: **USS - BU09 - VA31 - 98**

single port top entry; THT



ORDER CODE: **USS - BU09 - TA31 - 98**

## Specification

### Material

Contact	Phosphor bronze
Plating:	
Solder area	Sn ( <i>leadfree</i> )
Contact area	Au 30μ" over Ni
Housing	P.B.T. blue UL 94-V0
Type -RRAS31-	LCP blue UL 94-V0
Shell	Steel, 80μ"-120μ" Ni plated

### Mechanical

Mating cycles	1.500 min.
---------------	------------

### Electrical

Current rating/contact	1,8A max. (Contact 1 & 4 only) 0,25A max. (all other)
Voltage rating	100V AC (rms)
Withstanding voltage	500V AC (rms) 1 Minute
Insulation resistance	100MΩ min. (500V DC)
Contact resistance	30mΩ max. (Contact 1 & 4 only) 50mΩ max. (all other)

### Others

Operating temperature	-55° C to +85° C
Processing temperature (THR)	-55° C to +105° C -RRAS31- Type +260° C +0/-5° C for 5 seconds