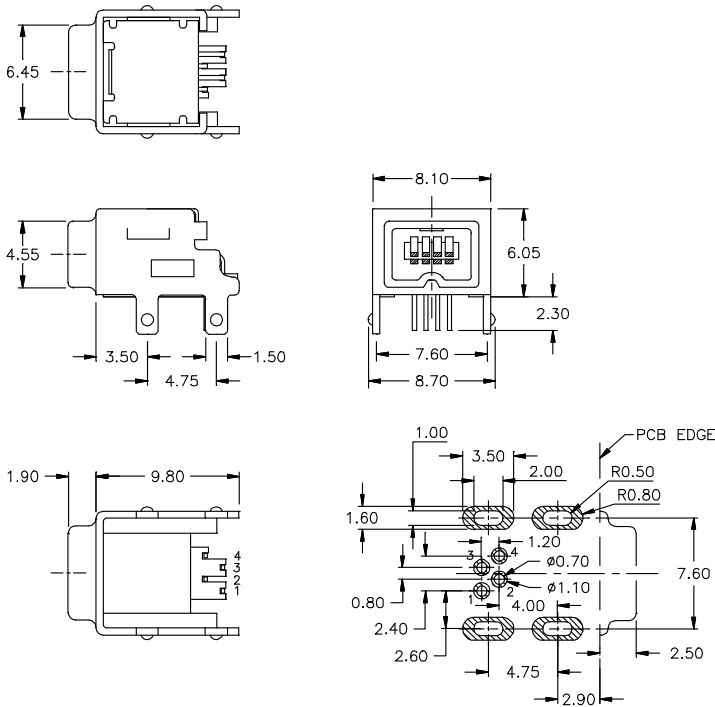
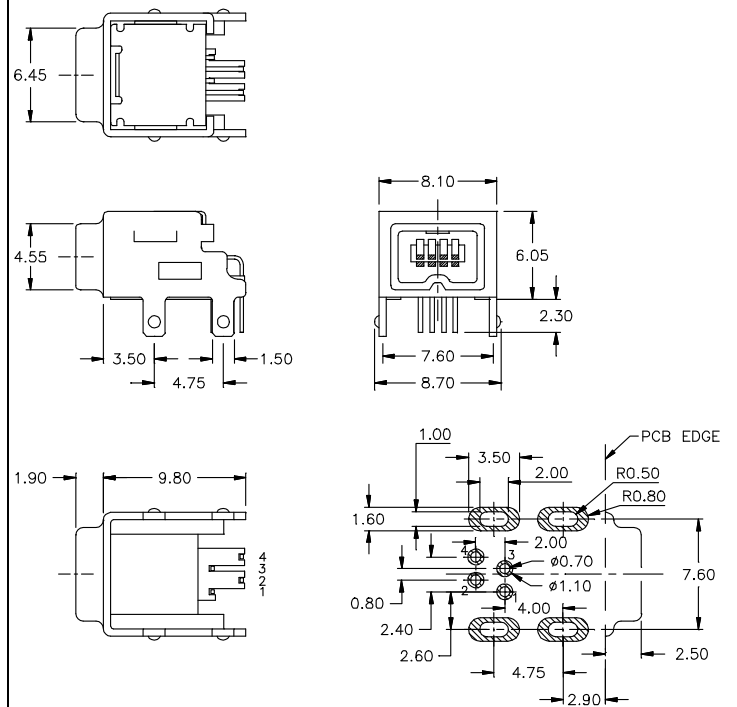


single port right angle



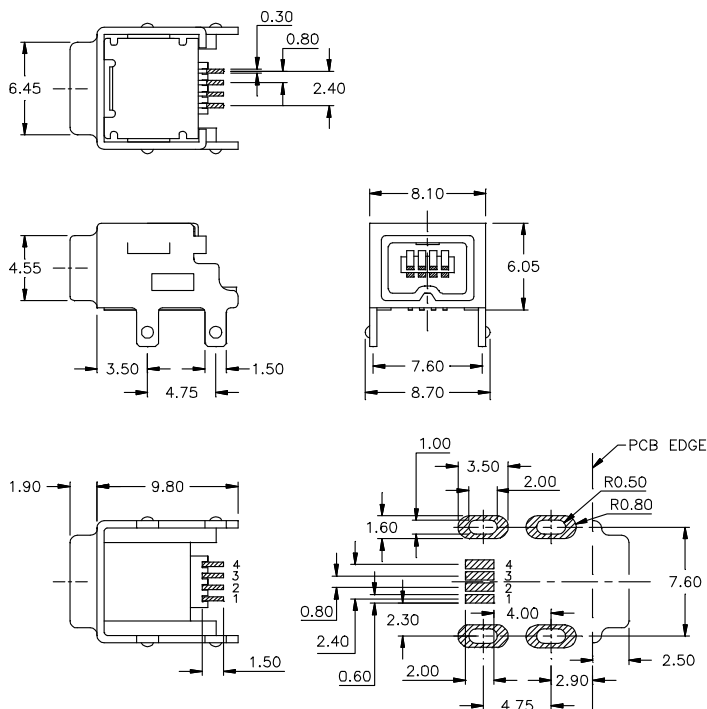
ORDER CODE: **IES - B04 - RI01 - 98**

single port right angle
“reversed” Type



ORDER CODE: **IES - B04 - RIR1 - 98**

single port right angle; SMT



ORDER CODE: **IES - B04 - SI01 - 98**

Specification

Material

Contact	(RoHS compliant) Phosphor bronze
Plating:	
Contact area	Au 30μ" over Ni
Solder area	Sn (leadfree)
Housing	(RoHS compliant) Nylon 9T UL 94-V0 black (standard)
Front Shell	(RoHS compliant) Steel 80μ"-120μ" Ni plated
Rear Shell	(RoHS compliant) Brass 80μ"-120μ" Ni plated

Mechanical

Mating cycles	1.000 min.
---------------	------------

Electrical

Current rating	1,5 A max. 1 Contact (Signal only)
Voltage rating	30V AC (rms)
Withstanding voltage	500V AC (rms) 1 Minute
Insulation resistance	100MΩ min. (500V DC)
Contact resistance	30mΩ max.

Others

Operating temperature	-55° C to +85° C
Processing temp. for SMT type	+260° C for 10 sec. max.