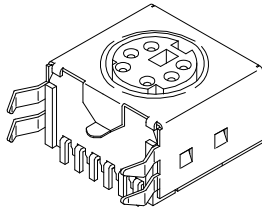
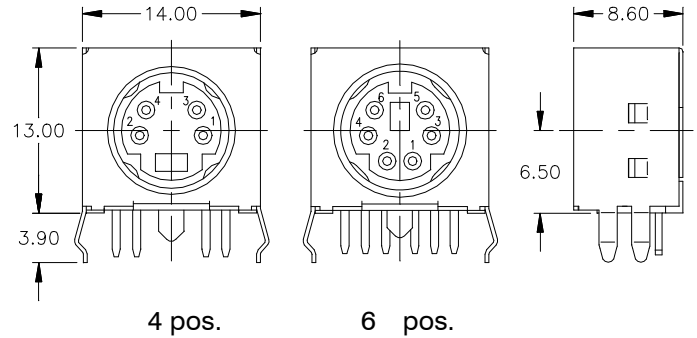
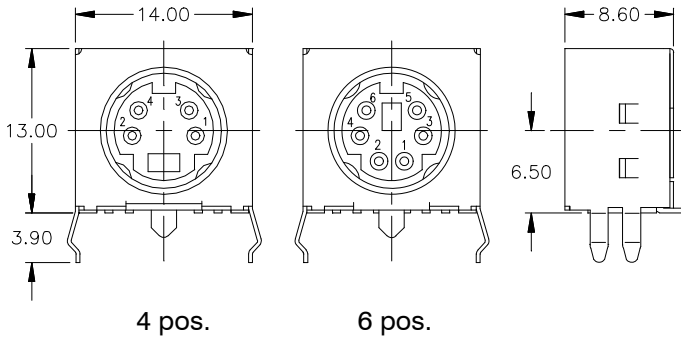
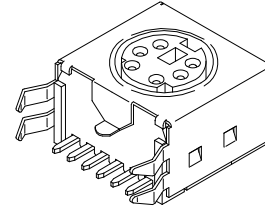


SMT type

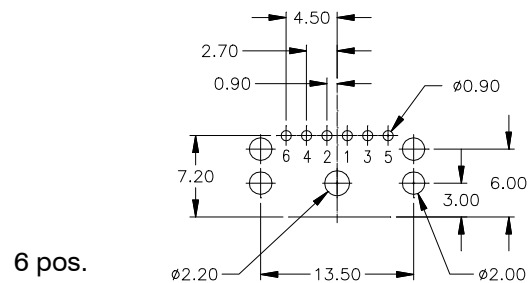
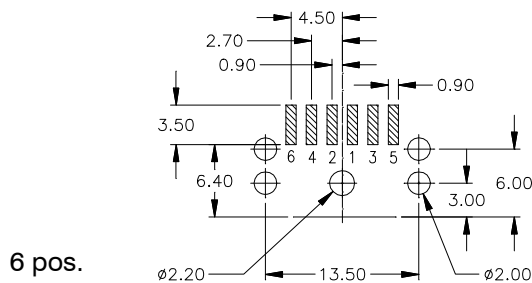
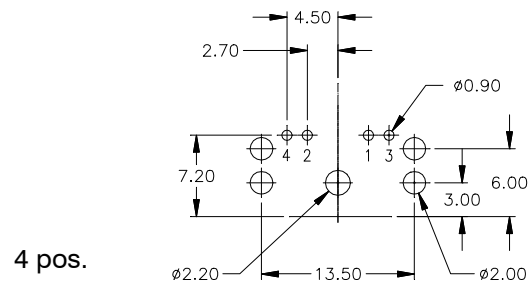
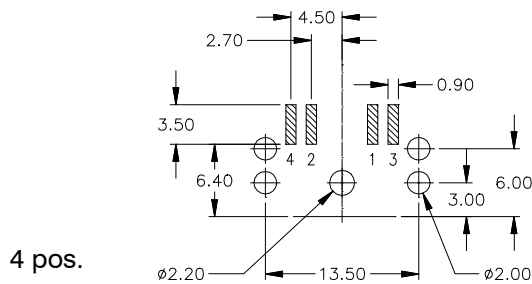


through hole type



PCB SMT layout

PCB through hole layout



SPECIFICATIONS

Current rating	1 A max. at 100 V AC or 2 A max. at 12 V DC	Insulator material <i>(RoHS compliant)</i>	Nylon 6T UL 94 V-0
Insulator resistance	50 MΩ min. at 250 V DC	Contact material <i>(RoHS compliant)</i>	Phosphor bronze
Contact resistance	30 mΩ max.	Contact plating	Sn/ <i>(leadfree)</i> /Au over Ni
Dielectric withstanding voltage	250 V AC for 1 minute	Insertion force	4.5kg max.
Insertion/extraction cycles	500 min.	Extraction force	0.5kg min.
Operating temperature	-40°C to +105°C	Reflow soldering temperature:	260° C for 10 sec.

Ordering Code

MDJ - xxx - RKL X / 1 - 95

