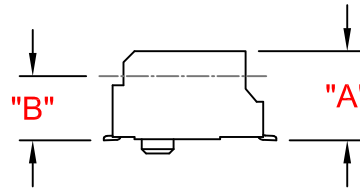
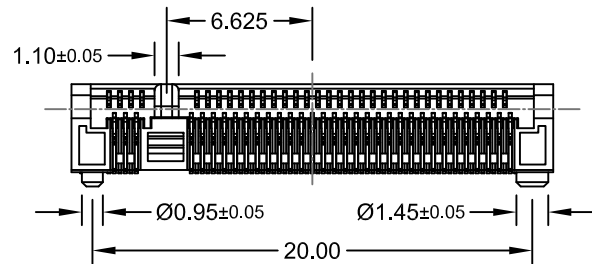
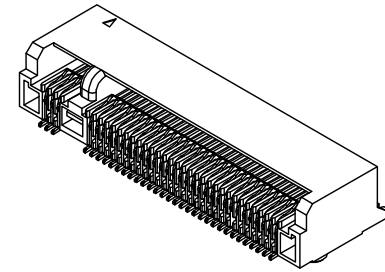
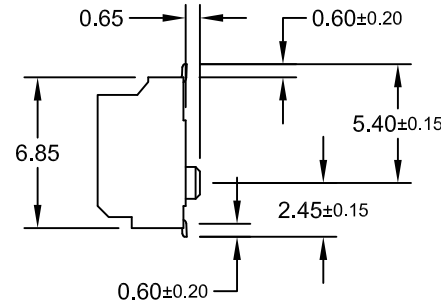
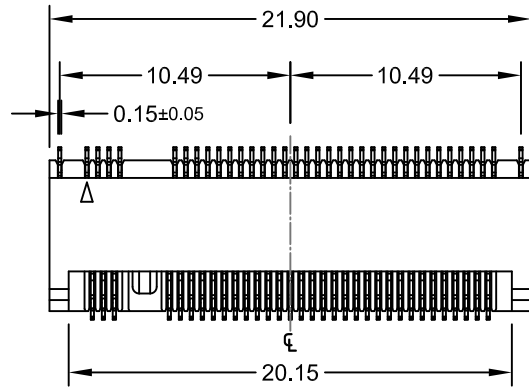


REV.	DESCRIPTION	DATE	DRAWN
A	New	05.11.2014	Ryan
B	general update	23.05.2018	Chery



Order Code
MPE-075-RXA9-55/R

Dimension mm	Height	Option
"A"	"B"	E
3,05	1,50	L
4,05	2,50	

Material

Contact: Copper Alloy
Plating: Au flash over Ni
Insulator: LCP (Black) UL 94V-0

Operating temperature: -40°C to +80°C
Processing temperature: +255°C +0/-5°C
for 10 seconds

Mechanical Requirements

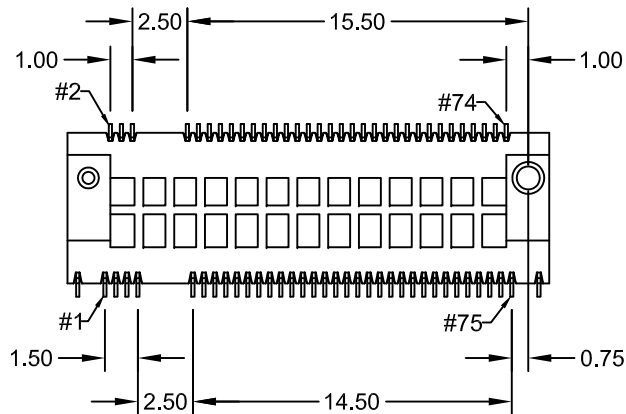
Lifetime: 50 cycles min.

Packing: Reel (others on request)

Specifications

Electrical

Current rating: 0.5A / Contact
Insulation resistance: 500MΩ min.
Contact resistance: 55mΩ max.
Voltage rating: 35V AC
Withstanding voltage: 300V AC rms / Minute



For the PCB layout we refer to page 2/2

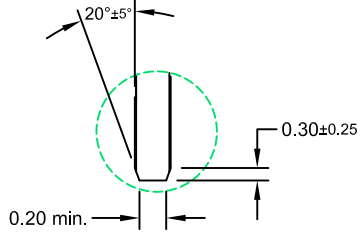
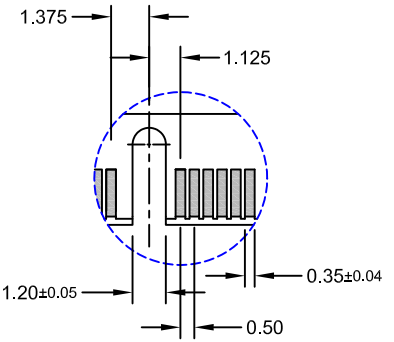
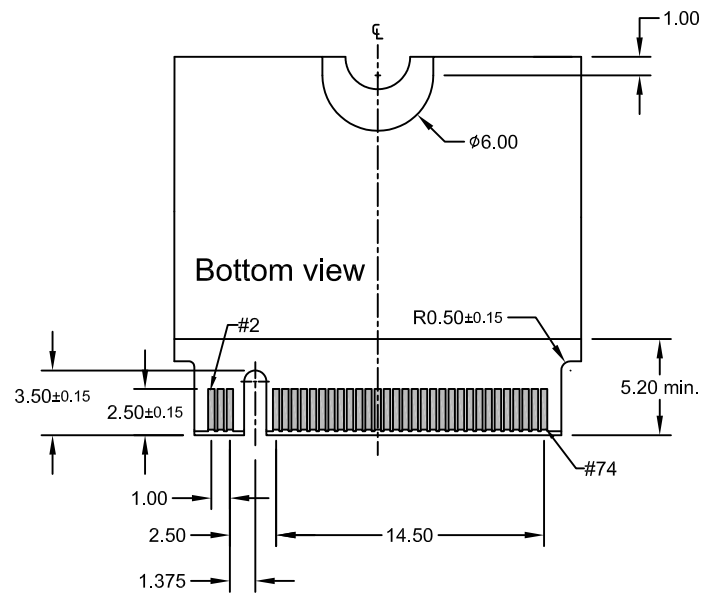
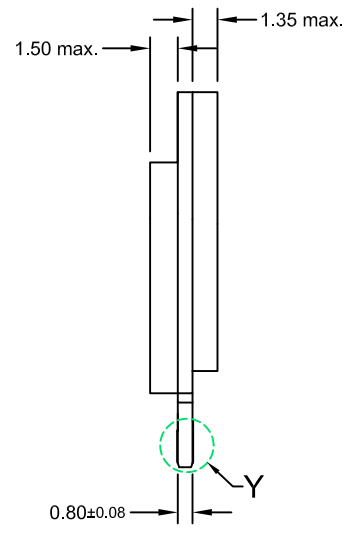
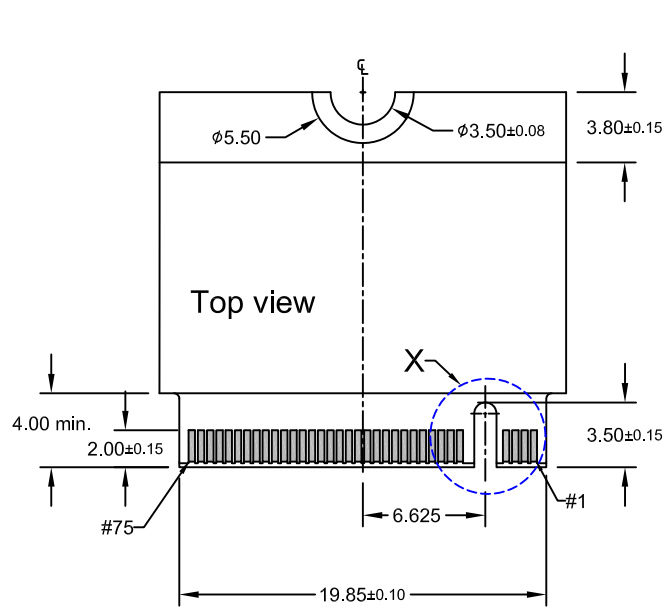
E-tec 2018 © - all rights reserved www.e-tec.asia



UNIT	mm	GENERAL TOLERANCE		DRAWN	DATE	DWG. NO.	SHEET 1/2
SCALE	Free	X.° ±	X. ±	Ryan	05.11.2014	MPE-075-RA9	REV. B
		.X° ±	.X ±	Hogi	13.06.2018	SERIES NO.	
		.XX° ±	.XX ± 0.10	Hogi	13.06.2018	MPE-075-RXA9-xx/R	
		.XXX° ±	.XXX ±				

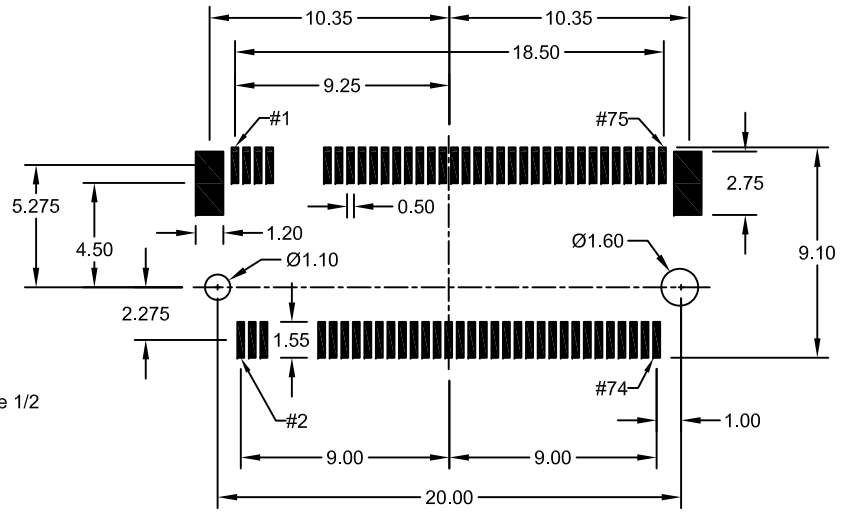
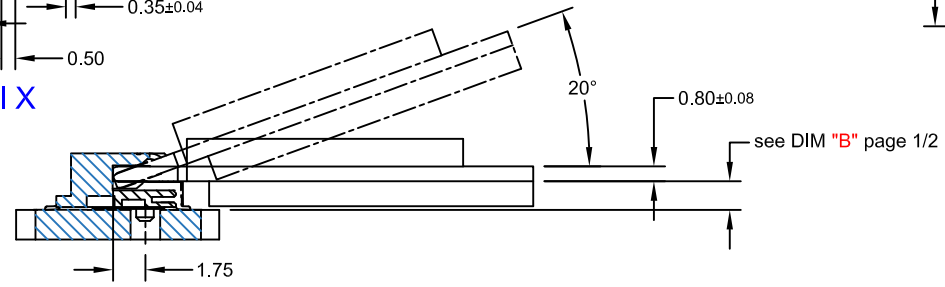
Mini PCI Express Connector
M.2 (NGFF) "A" Key
0.50mm pitch - 75 Contact Type

REV.	DESCRIPTION	DATE	DRAWN
A	New	05.11.2014	Ryan
B	general update	23.05.2018	Chery



Detail Y

Detail X



Recommended PCB Layout Top View
(PCB TOLERANCE ±0.05)

E-tec 2018 © - all rights reserved www.e-tec.asia



UNIT	mm	GENERAL TOLERANCE		DRAWN	Ryan	DATE	05.11.2014
SCALE	Free	X.° ±	X. ±	CHECK	Hogi	DATE	13.06.2018
		.XX° ±	.XX ± 0.10	APPROVE	Hogi	DATE	13.06.2018
		.XXX° ±	.XXX ±				

DWG. NO.	MPE-075-RA9	SHEET	2/2
SERIES NO.	MPE-075-RXA9-xx/R	REV.	B

Recommended Module Design & PCB Layout
for Mini PCI Express Connector M.2 (NGFF)
0.50mm pitch 75 Contact "A" Key Type