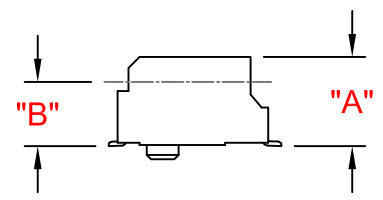
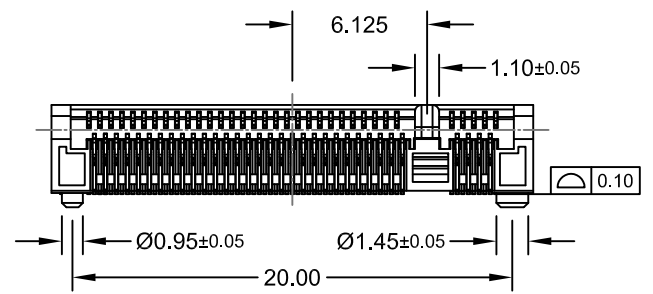
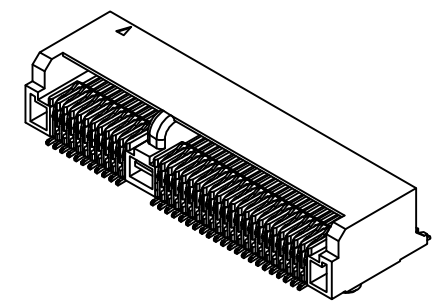
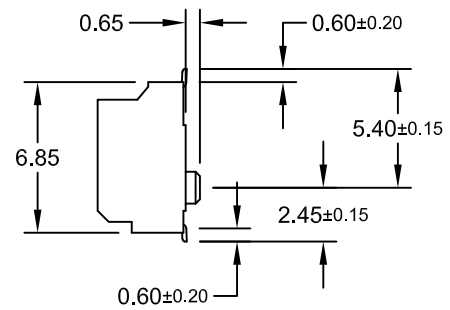
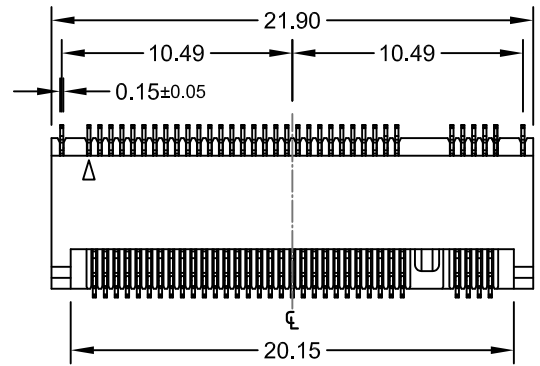
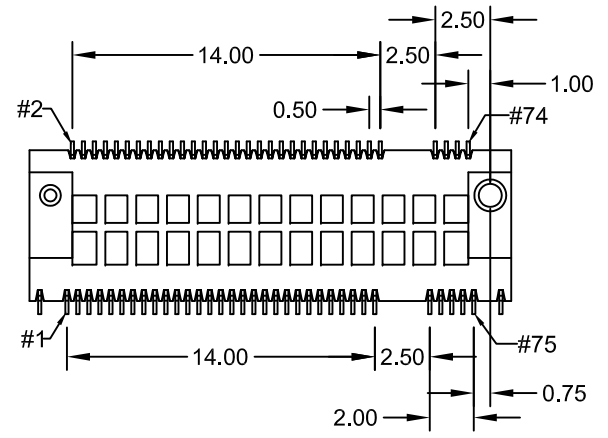


REV.	DESCRIPTION	DATE	DRAWN
A	New	05.11.2014	Ryan
B	update	27.05.2016	Cherry
C	general update	25.05.2018	Cherry



**Order Code**  
**MPE-075-RXM9-55/R**

Dimension mm	Height	Option
"A"	"B"	E
3,05	1,50	E
4,05	2,50	L



**Specifications**

**Electrical**  
 Current rating: 0.5A / Contact  
 Insulation resistance: 500MΩ min.  
 Contact resistance: 55mΩ max.  
 Voltage rating: 35V AC  
 Withstanding voltage: 300V AC rms / Minute

**Material**

Contact: Copper Alloy  
 Plating: Au flash over Ni  
 Insulator: LCP (Black) UL 94V-0

Operating temperature: -40°C to +80°C  
 Processing temperature: +255°C +0/-5°C  
 for 10 seconds

**Mechanical Requirements**

Lifetime: 50 cycles min.

**Packing:** Reel (others on request)

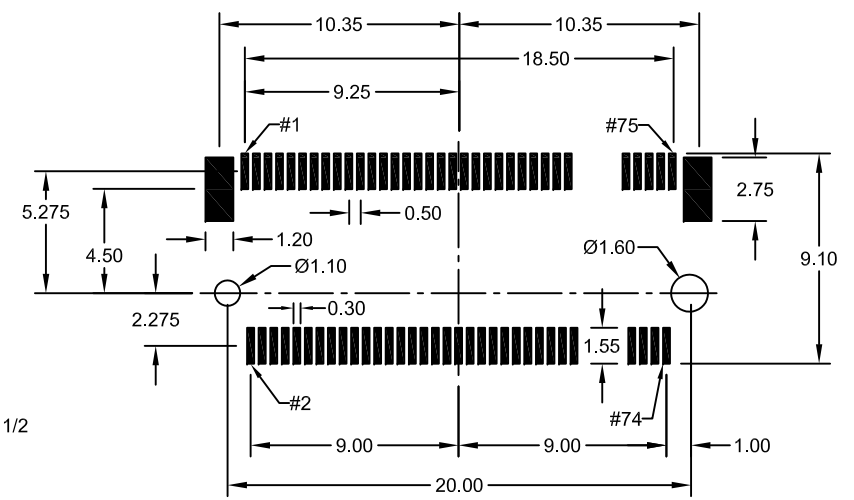
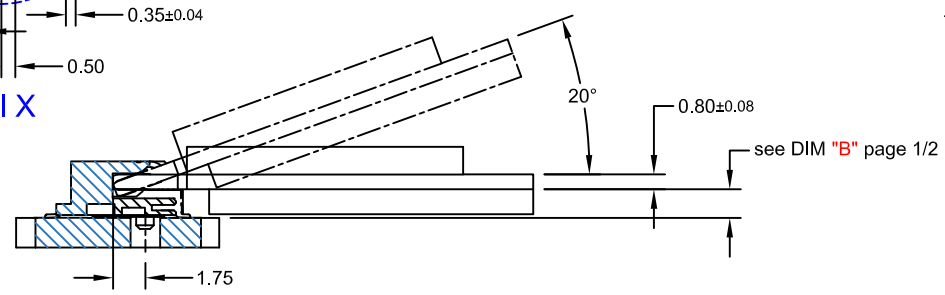
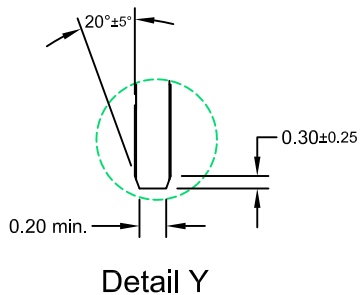
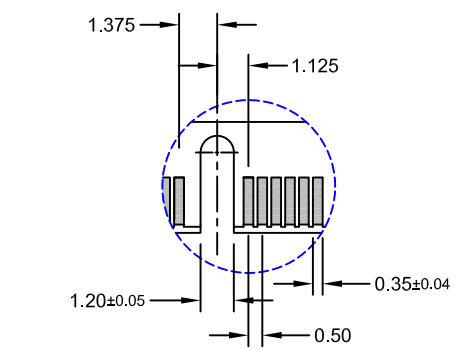
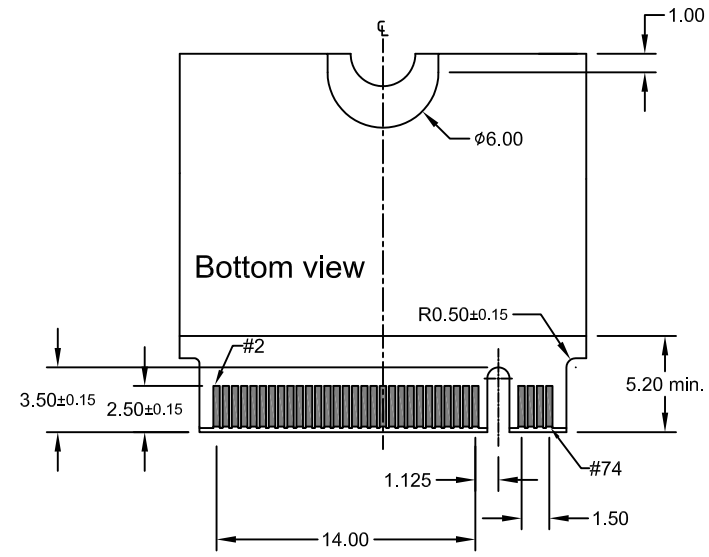
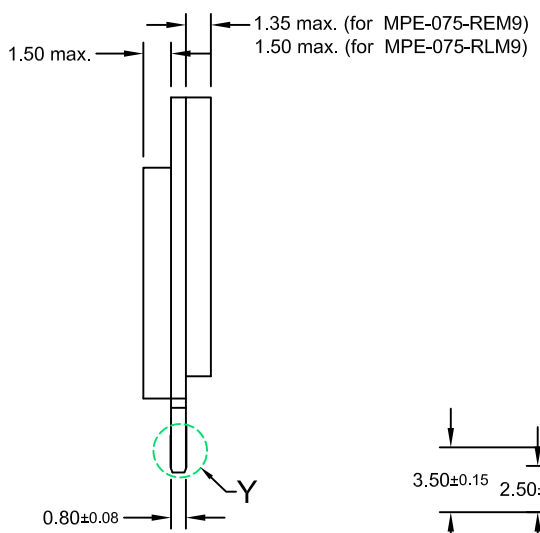
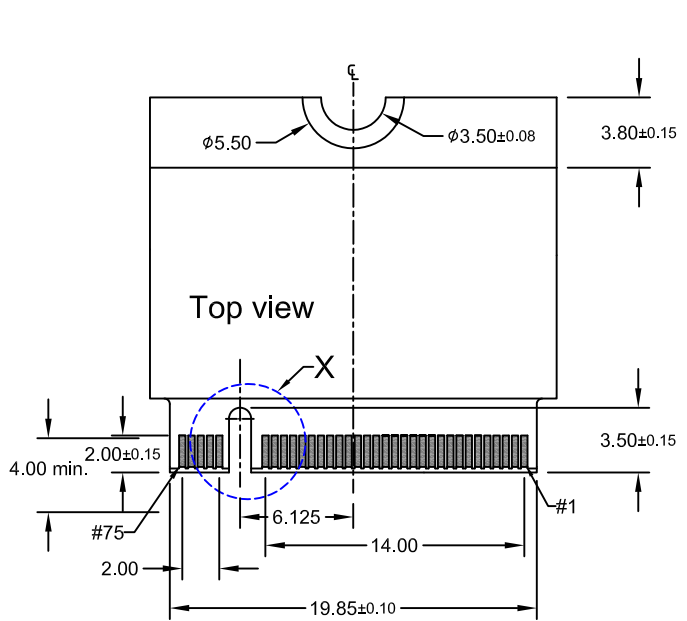
*For the PCB layout we refer to page 2/2*



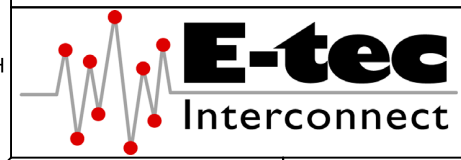
UNIT	mm	GENERAL TOLERANCE		DRAWN	DATE	DWG. NO.	SHEET 1/2
SCALE	Free	X.° ±	X. ±	Ryan	05.11.2014	MPE-075-RM9	REV. C
		.X° ±	.X ±	Hogi	13.06.2018	SERIES NO.	
		.XX° ±	.XX ± 0.10	APPROVE	DATE	MPE-075-RXM9-xx/R	
		.XXX° ±	.XXX ±	Hogi	13.06.2018		

**Mini PCI Express Connector**  
 M.2 (NGFF) "M" Key  
 0.50mm pitch - 75 Contact Type

REV.	DESCRIPTION	DATE	DRAWN
A	New	05.11.2014	Ryan
B	update	27.05.2016	Cherry
C	general update	25.05.2018	Cherry



E-tec 2018 © - all rights reserved www.e-tec.asia



UNIT mm	GENERAL TOLERANCE		DRAWN Ryan	DATE 05.11.2014	DWG. NO. MPE-075-RM9	SHEET 2/2
	X.° ±	X. ±				
	.XX° ±	.XX ± 0.10				
	.XXX° ±	.XXX ±				
SCALE Free	DRAWN		CHECK Hogi	DATE 13.06.2018	SERIES NO. MPE-075-RXM9-xx/R	REV. C
	APPROVE Hogi					
	DATE 13.06.2018					
	DATE 13.06.2018					
	DRAWN		DATE 13.06.2018	DATE 13.06.2018	SERIES NO. MPE-075-RXM9-xx/R	REV. C
	CHECK Hogi					
	APPROVE Hogi					
	DATE 13.06.2018					

**Recommended Module Design & PCB Layout**  
for Mini PCI Express Connector M.2 (NGFF)  
0.50mm pitch 75 Contact "M" Key Type