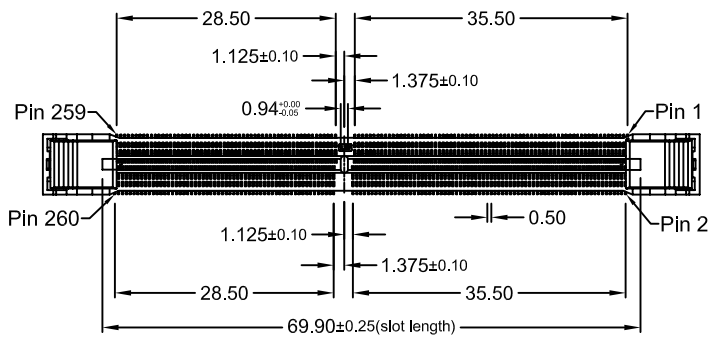
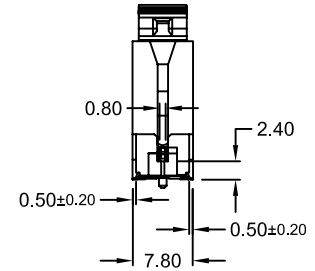
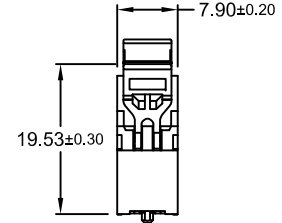
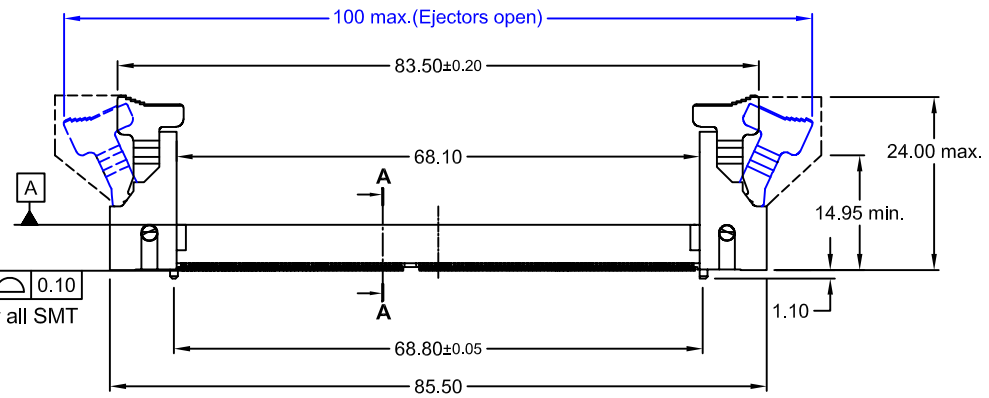
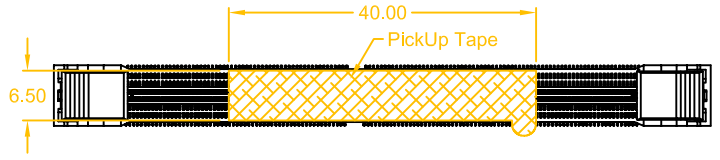


REV.	DESCRIPTION	DATE	DRAWN
A	New	29.05.2019	Cherry

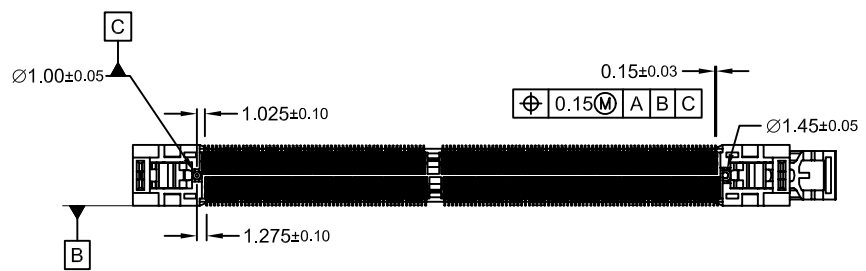


**Order Code**  
DMD-260-VLG9-xx/DT

- Plating
- 55 = Gold flash
  - 56 = Gold flash / Gold 10μ"
  - 57 = Gold flash / Gold 15μ"
  - 58 = Gold flash / Gold 30μ"



A - A



**Specifications**

**Electrical**  
 Current rating: 0,5A  
 Insulation resistance: 1000MΩ min.  
 Contact resistance: 50mΩ max.  
 Voltage rating: 35V AC / contact  
 Withstanding voltage: 250V AC

**Material**

Contact: Phosphor Bronze  
 Plating: Au on solder, Au flash on contact area  
 Latch: PA9T (white) UL 94V-0  
 Insulator: LCP (black) UL 94V-0  
 Operating temperature: -40°C to +80°C  
 Processing temperature: +250°C +0/-5°C for 20~40 seconds

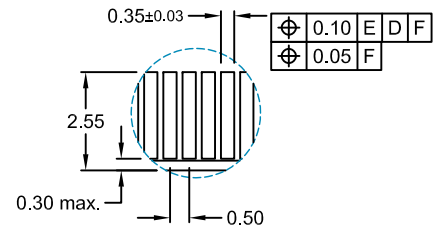
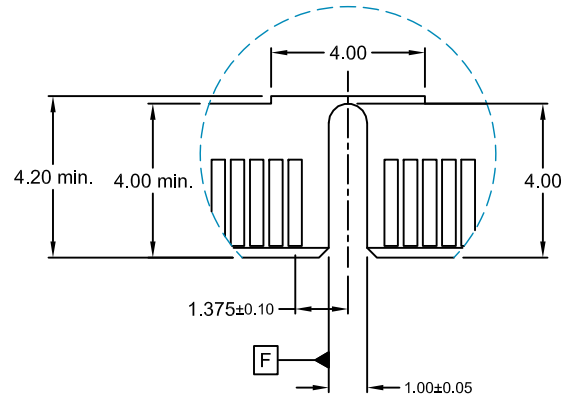
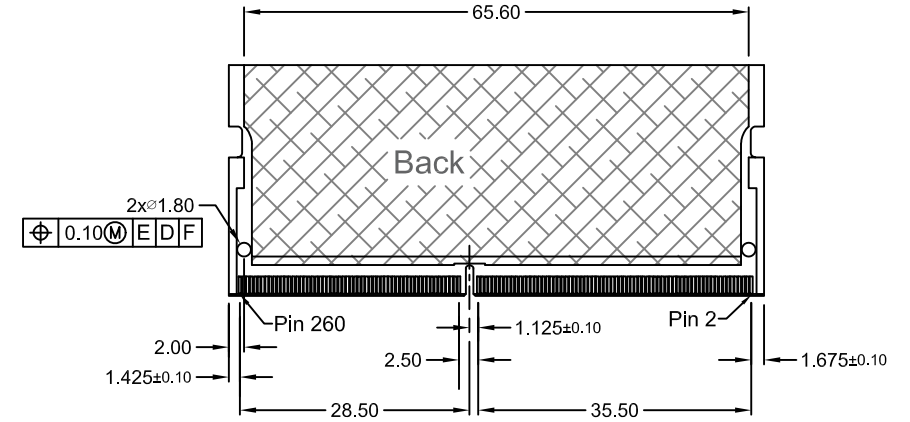
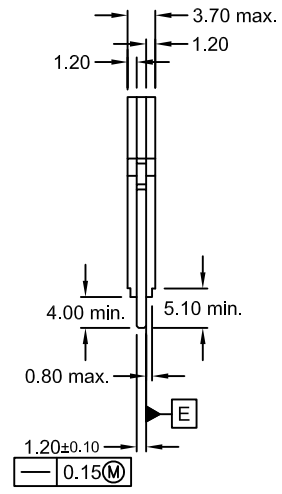
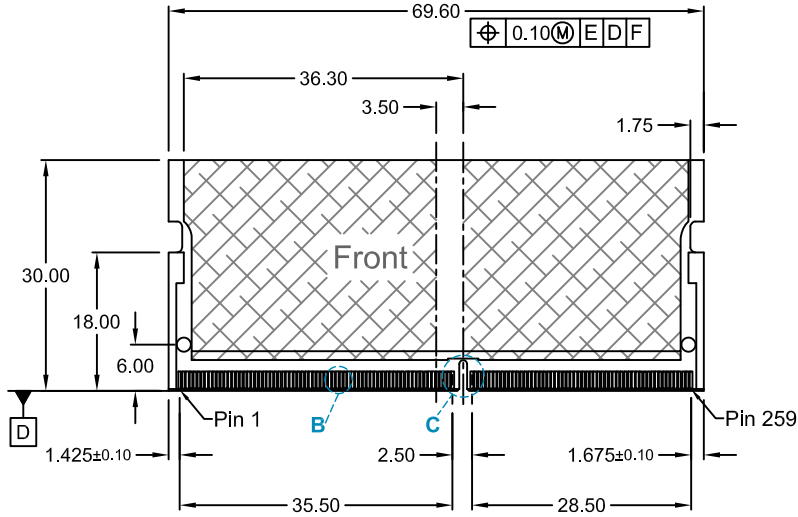
E-tec 2019 © - all rights reserved www.e-tec.asia



UNIT	SCALE	GENERAL TOLERANCE	DRAWN	DATE	DWG. NO.	SHEET 1/3
mm	Free	X.° ± X. ±	Cherry	29.05.2019	DMD-260-VLG9	REV. A
		.X° ± .XX ± 0.15	Ronny	29.05.2019	SERIES NO.	
		.XXX° ± .XXX ±	Fagi	29.05.2019	DMD-260-VLG9-xx/XX	

**DDR4 260 Contact "Socket"**  
 -SMT- Vertical  
 1.2V "Standard Type"

REV.	DESCRIPTION	DATE	DRAWN
A	New	29.05.2019	Cherry



Detail C

Detail B

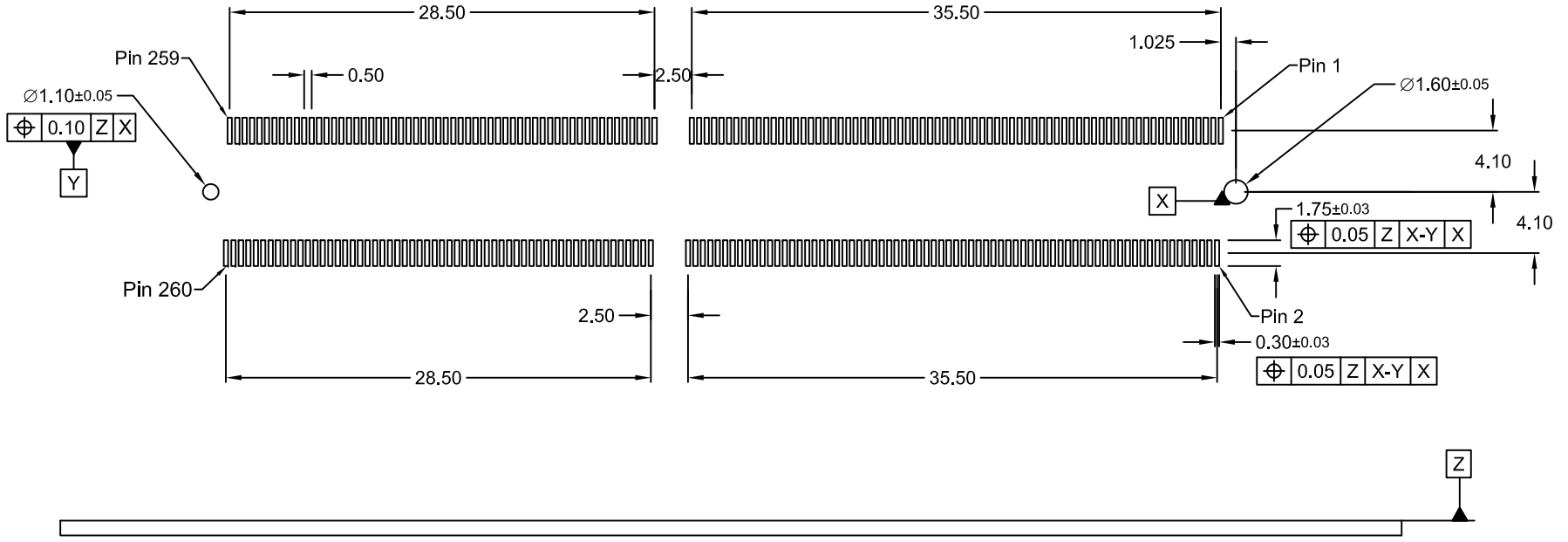
E-tec 2019 © - all rights reserved www.e-tec.asia



UNIT mm	GENERAL TOLERANCE		DRAWN Cherry	DATE 29.05.2019	DWG. NO. DMD-260-VLG9	SHEET 2/3
	X.° ±	X. ±				
	.X° ±	.X ±				
	.XX° ±	.XX ± 0.15				
SCALE Free	.XXX° ±	.XXX ±	CHECK Ronny	DATE 29.05.2019	SERIES NO. DMD-260-VLG9-xx	REV. A
	APPROVE Fagi					
	DATE 29.05.2019					

**DDR4 260 Contact "Modul"**  
for 1.2V "Standard Type" Socket  
DMD-260-VLG9-xx

REV.	DESCRIPTION	DATE	DRAWN
A	New	29.05.2019	Cherry



Recommended PCB Layout Top View

E-tec 2019 © - all rights reserved www.e-tec.asia



UNIT mm	GENERAL TOLERANCE		DRAWN Cherry	DATE 29.05.2019	DWG. NO. DMD-260-VLG9	SHEET 3/3				
	SCALE Free	X.° ±					X. ±	CHECK Ronny	DATE 29.05.2019	REV. A
		.XX° ±					.XX ± 0.15			
		.XXX° ±					.XXX ±			
			APPROVE Fagi	DATE 29.05.2019	SERIES NO. DMD-260-VLG9-xx					

**DDR4 260 Contact "Layout"**  
for 1.2V "Standard Type" Socket  
DMD-260-VLG9-xx