

# DR - Series DIMM Sockets

## for DDR Module vertical type 184-pin

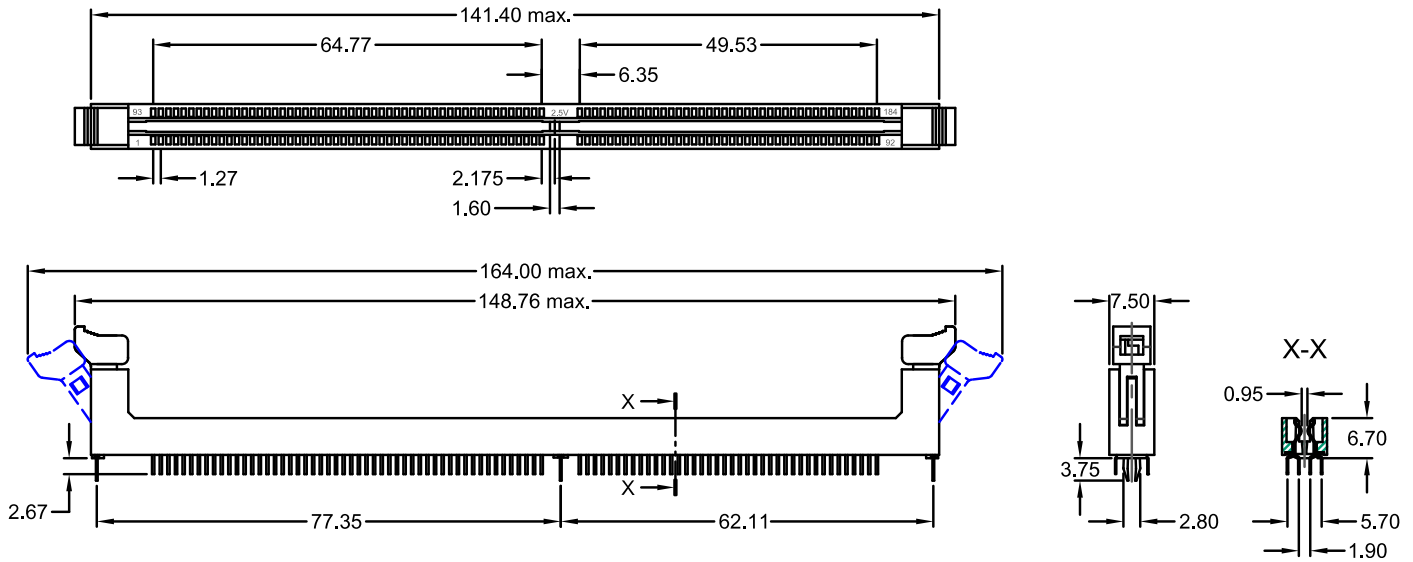


DIMM sockets for DDR module are only available as long latch type (Module locking extractors).

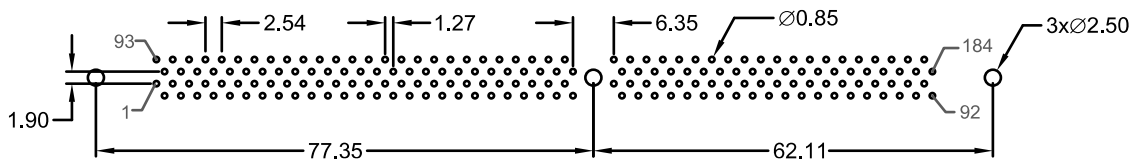
Insertion & extraction of the module can be made without any tools.

Positive polarization prevents wrong insertion of the module.

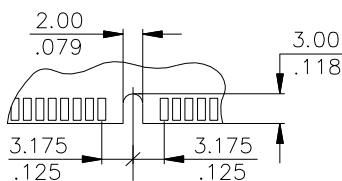
Contacts are designed with an anti-overstress feature for long contact life. Selective Gold/Tin plated. Gold only in contact area.



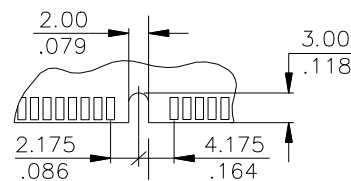
### PC Board hole layout



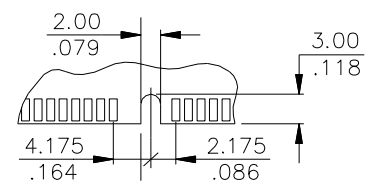
#### Module keying Type "A"



#### Module keying Type "B"



#### Module keying Type "C"



### Specification

Current rating	1 A max., 250V AC	Operating temperature	-55° C to +105° C min.
Contact resistance	30 mΩ max.	Insulator (RoHS compliant)	high temp plastic UL 94 V-0
Breakdown voltage	1,5 KV RMS max.	Contact (RoHS compliant)	Copper Alloy
Insulation resistance	10 <sup>4</sup> MΩ min.	Plating	Au / Sn (leadfree) over Ni
Capacitance	1 pF max.		

Pin	Socket Type	Voltage Key	Ordering Code
184 pin	1,8 Volt	Type "A"	Please contact E-tec sales office for availability.
184 pin	2,5 Volt	Type "B"	<b>DR1 - 184 - VBZ9 - 95/1L</b>
184 pin	3,3 Volt	Type "C"	Please contact E-tec sales office for availability.