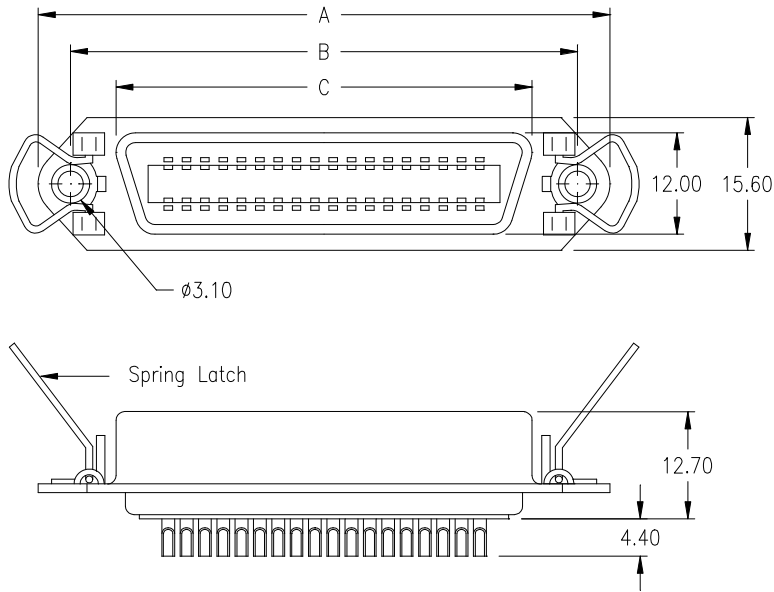




**female - spring latch type -**



**Ordering Code**

**CCF - xxx - S101 - 55**

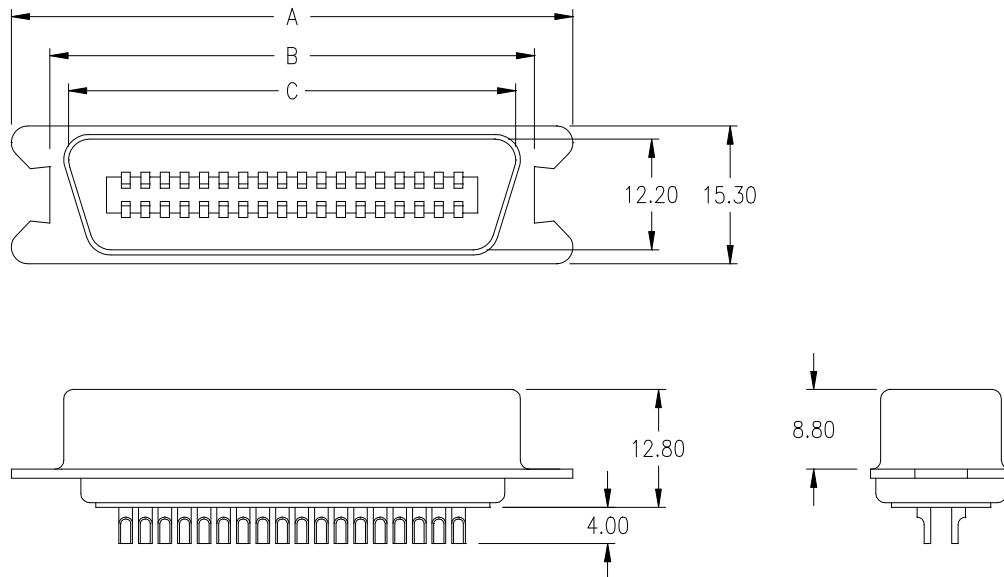
No. of contacts

No. of contacts	Dimension		
	A	B	C
<b>014</b>	43.92 1.729	35.99 1.417	25.20 .992
<b>024</b>	54.71 2.154	46.79 1.842	36.00 1.417
<b>036</b>	67.69 2.665	59.74 2.352	48.90 1.925
<b>050</b>	82.78 3.259	74.85 2.946	64.00 2.520

Plating: -55 = gold

General Specification: Centronics - page D

**male - bail lock type -**



**Ordering Code**

**CCM - xxx - S101 - 55**

No. of contacts

No. of contacts	Dimension		
	A	B	C
<b>014</b>	43.92 1.729	35.99 1.417	25.60 1.008
<b>024</b>	54.71 2.154	46.79 1.842	36.47 1.436
<b>036</b>	67.69 2.665	59.74 2.352	49.35 1.943
<b>050</b>	82.78 3.259	74.85 2.946	64.47 2.538

Plating: -55 = gold

General Specification: Centronics - page D



<b>mechanical data</b>	
Mating force per contact	≤ 3,2 N
Unmating force per contact	≥ 0,7 N
Temperature range	-55° C to +105° C
Moisture absorption from air 50% rh	0,10%
IDC Connector types accept AWG 26 or AWG 28 standard wire	

<b>materials and plating</b>	
Insulator	thermoplastic glassfilled UL 94V - 0
Shell	steel
- plating	tin (leadfree)
Spring latch	stainless-steel
Male contact	phosphor bronze
- plating (tin leadfree)	-95 = solder side Sn; contact side Au over Ni -55 = solder and contact side Au over Ni
Female contact	phosphor bronze
- plating (tin leadfree)	-95 = solder side Sn; contact side Au over Ni -55 = solder and contact side Au over Ni

<b>electrical data</b>	
max. Current rating	5 A
Operating voltage	250 V
Test voltage between contacts	1000 V / 50/60 Hz / 1 min
Test voltage between shell and contacts	1000 V / 50/60 Hz / 1 min
Contact resistance	25 mΩ max. mated
Insulation resistance	1000 MΩ min. at 500V DC
Dielectric withstanding voltage	1000 V AC rms. for one Minute