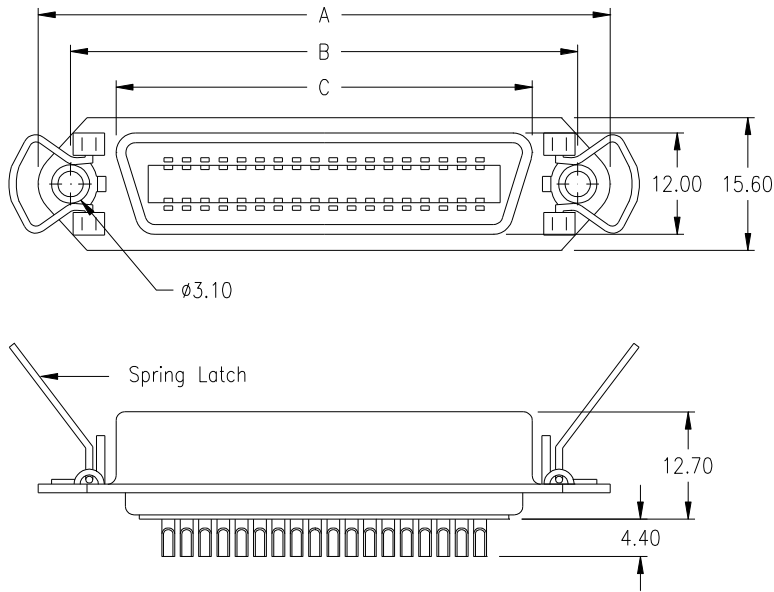




female - spring latch type -



Ordering Code

CCF - xxx - S101 - 55

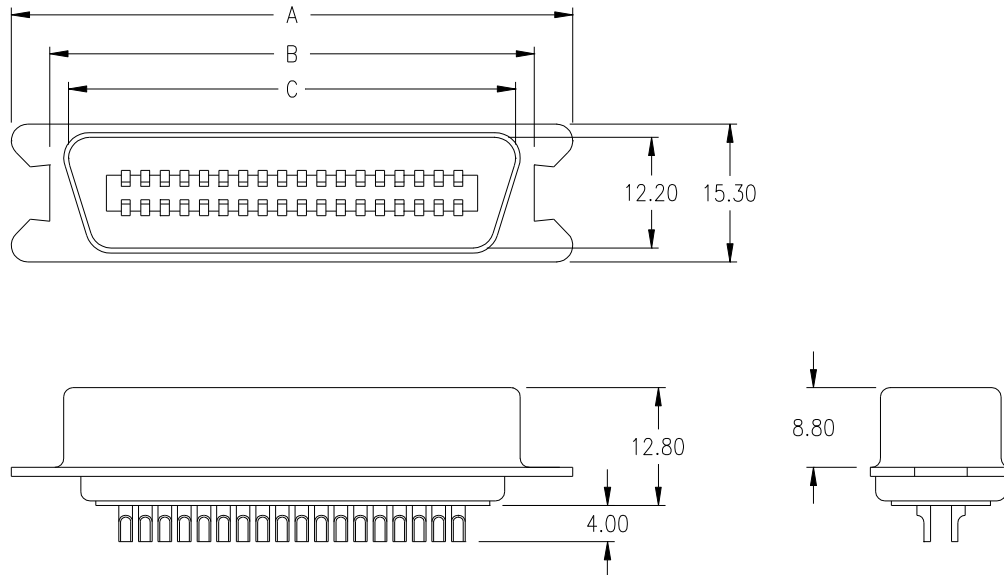
No. of contacts

No. of contacts	Dimension		
	A	B	C
014	43.92 1.729	35.99 1.417	25.20 .992
024	54.71 2.154	46.79 1.842	36.00 1.417
036	67.69 2.665	59.74 2.352	48.90 1.925
050	82.78 3.259	74.85 2.946	64.00 2.520

Plating: -55 = gold

General Specification: Centronics - page D

male - bail lock type -



Ordering Code

CCM - xxx - S101 - 55

No. of contacts

No. of contacts	Dimension		
	A	B	C
014	43.92 1.729	35.99 1.417	25.60 1.008
024	54.71 2.154	46.79 1.842	36.47 1.436
036	67.69 2.665	59.74 2.352	49.35 1.943
050	82.78 3.259	74.85 2.946	64.47 2.538

Plating: -55 = gold

General Specification: Centronics - page D