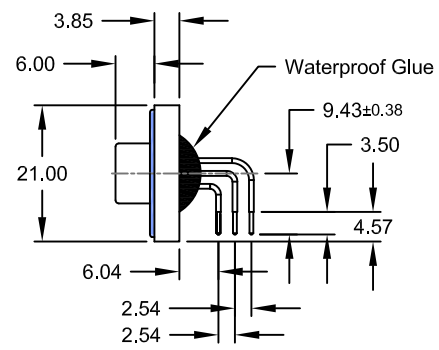
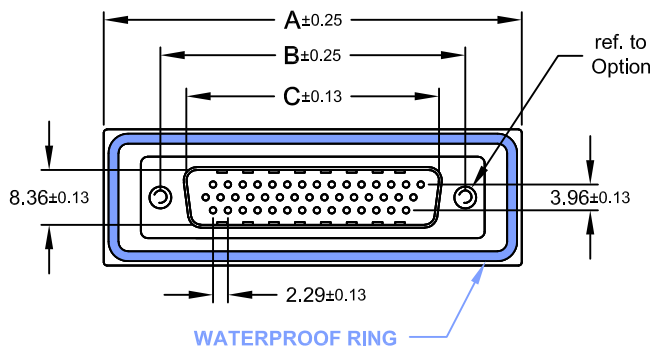
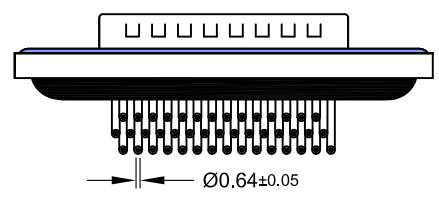


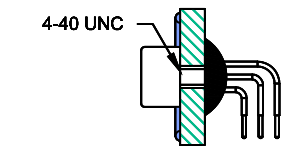
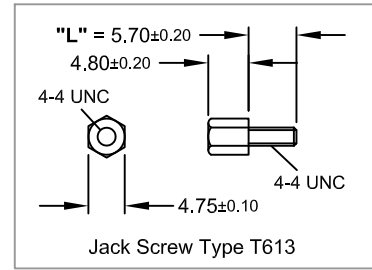
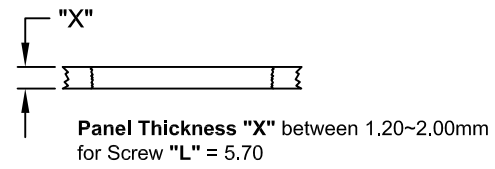
REV.	DESCRIPTION	DATE	DRAWN
A	New	14.11.2006	RH
C	correct No. of contact	20.04.2011	Ronny
D	7.40->9.43, Ø0.60->Ø0.64, 5.58->6.04	06.08.2018	RH
E	update	07.08.2019	Ronny



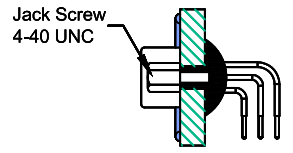
**Order Code**  
SHM-xxx-FIP7-55/L1TXX



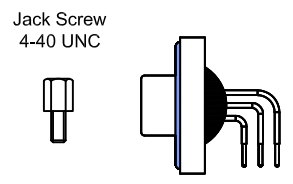
Dimension mm					No. of Contact
A	B	C	D	E	
39,40	24,99	16,92	20,00	28,20	015
47,70	33,30	25,25	28,00	36,50	026
64,50	47,04	38,96	41,50	51,00	044



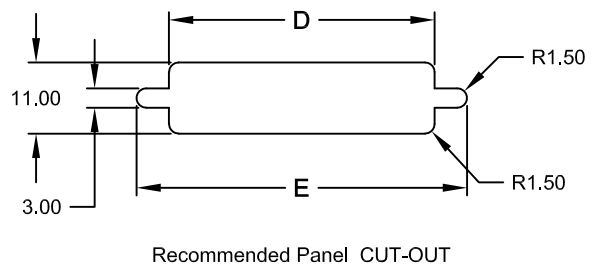
Option: **T**



Option: **TJ**  
(Jack Screws mounted)



Option: **TJS**  
(Jack Screws bulk packed)

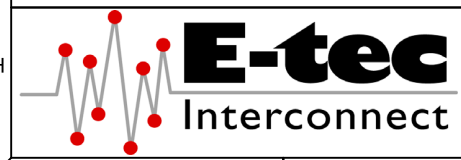


**Specifications**  
**Electrical**  
Current rating: 5A  
Insulation resistance: 5000MΩ min.  
Contact resistance: 10mΩ max.  
Withstanding voltage: 1000V AC rms

**Material**  
Contact: Brass  
Plating: Au flash over Ni  
Insulator: PBT UL 94V-0  
Shell: Steel  
Plating: Ni  
Operating temperature: -55°C to +85°C

Salt Spray: 48 Hours  
Waterproof Rate: IP 67 min.

E-tec 2019 © - all rights reserved www.e-tec.asia



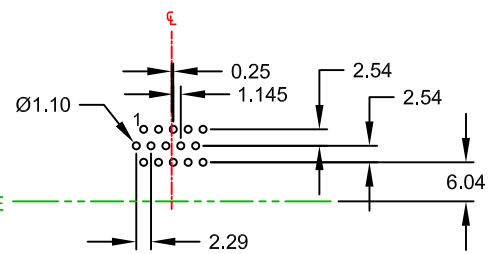
UNIT	GENERAL TOLERANCE		DRAWN	DATE
mm	X.° ±	X. ±	RH	14.11.2006
SCALE	.X° ±	.X ±	CHECK	DATE
Free	.XX° ±	.XX ± 0.25	Ronny	07.08.2019
	.XXX° ±	.XXX ±	APPROVE	DATE
			Fagi	07.08.2019

DWG. NO.	SHEET 1/2
SHM-FIP7/L1T	
SERIES NO.	REV. E
SHM-xxx-FIP7-55/L1TXX	

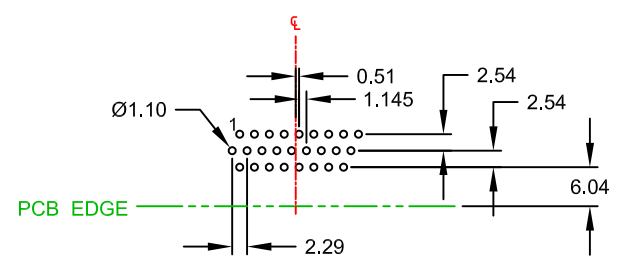
**Waterproof D-Sub**  
High Density "Male"  
*Right Angle Type w/o Brackets*

REV.	DESCRIPTION	DATE	DRAWN
A	New	14.11.2006	RH
B	frame	23.07.2008	Ronny
C	general update	06.08.2018	RH
D	update	07.08.2019	Ronny

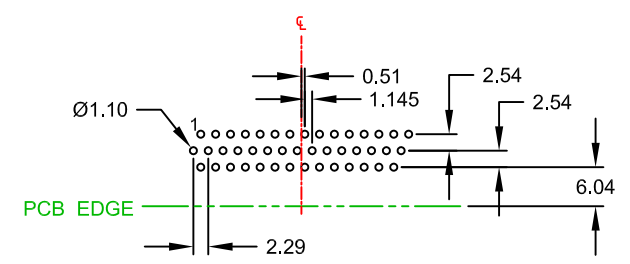
# RECOMMENDED PCB HOLE LAYOUT "MALE"



15-contact



26-contact



44-contact

Layout Top View  
(Tolerance ±0.05)

E-tec 2019 © - all rights reserved www.e-tec.asia



UNIT mm	GENERAL TOLERANCE		DRAWN RH	DATE 14.11.2006	DWG. NO. SHM-FIP7/L1T	SHEET 2/2	
	X.° ±	X. ±					
	SCALE Free	.X° ±	.X ±	CHECK Ronny	DATE 07.08.2019	SERIES NO. SHM-xxx-FIP7-55/L1TXX	REV. D
		.XX° ±	.XX ± 0.25				
	.XXX° ±	.XXX ±	APPROVE Fagi	DATE 07.08.2019			

**PCB Hole Layout for**  
Waterproof D-Sub  
High Density "Male"  
*Right Angle Type w/o Brackets*