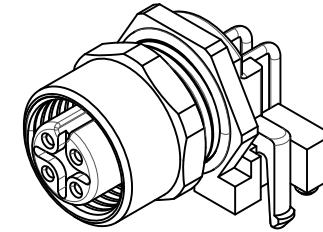
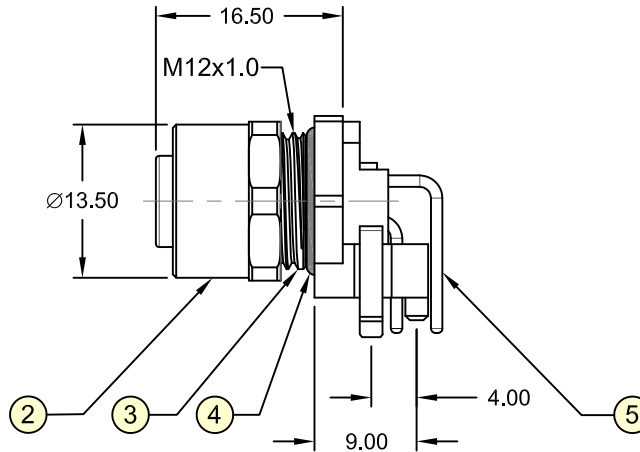
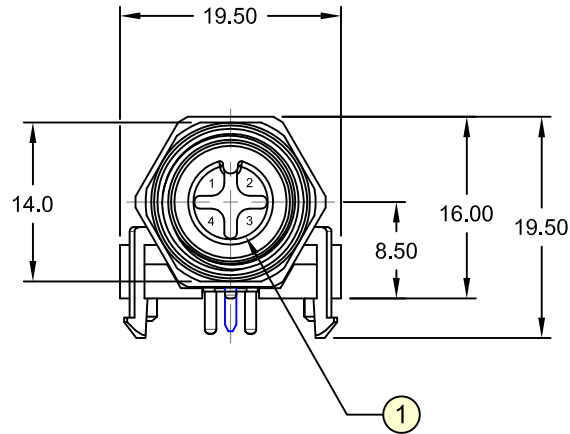


REV.	DESCRIPTION	DATE	DRAWN
A	New	21.01.2020	Cherry

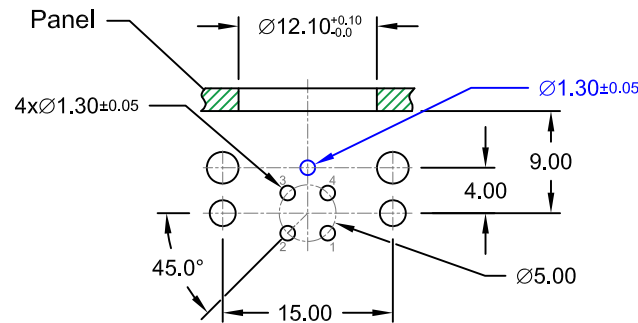


Order Code
M12-FA04-THFP-55/X00

Option

no suffix = without Shield Pin

S = with Shield Pin



Recommended PCB Layout and Panel Cut-out Size
Top View

Specifications

Electrical

Current rating: 4A per contact

Insulation resistance: 100MΩ min.

Voltage rating: 250V AC/DC

Mechanical Requirements

Waterproof rate: IP67

Recommended panel thickness: 2.0 to 3.0mm

Operating life: 500 cycles min.

In accordance with IEC 61076-2-101:2012

E-tec 2020 © - all rights reserved www.e-tec.asia



Item	Part Name	Materials / Finish(Color)	Q'TY
1	Housing	Thermoplastic / Black	1
2	Hex Nut	Copper Alloy / Ni Plated	1
3	Metal Body	Copper Alloy / Ni Plated	1
4	O-Ring	NBR / Black	1
5	Contact	Phosphor Bronze / Au Plated	4



UNIT	mm	GENERAL TOLERANCE		DRAWN	Cherry	DATE	21.01.2020
SCALE	Free	X.° ±	X. ±	CHECK	Cheng	DATE	21.01.2020
		.X° ±	.X ± 0.50	APPROVE	Fagi	DATE	21.01.2020
		.XX° ±	.XX ± 0.25				
		.XXX° ±	.XXX ±				

DWG. NO.	M12-FA04-THFP-55/00
SERIES NO.	M12-FA04-THFP-55/X00
SHEET	1/1
REV.	A

M12 Circular Connector
4-Pin Female A-Coding Type
THT - Panel Front Mount - Right Angle