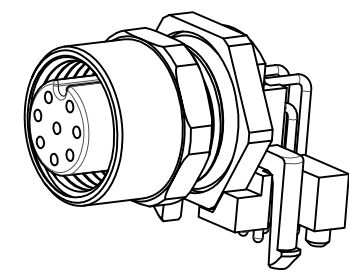
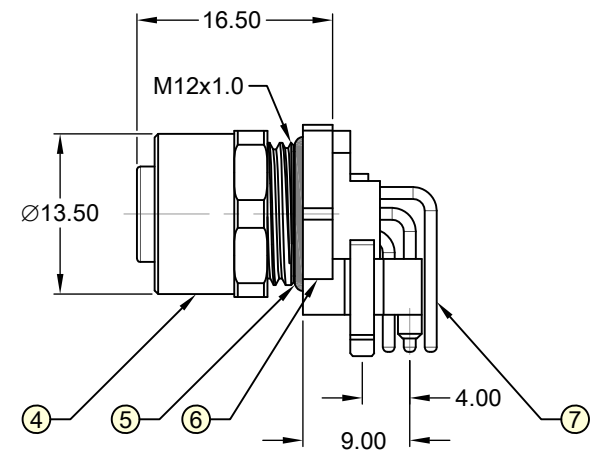
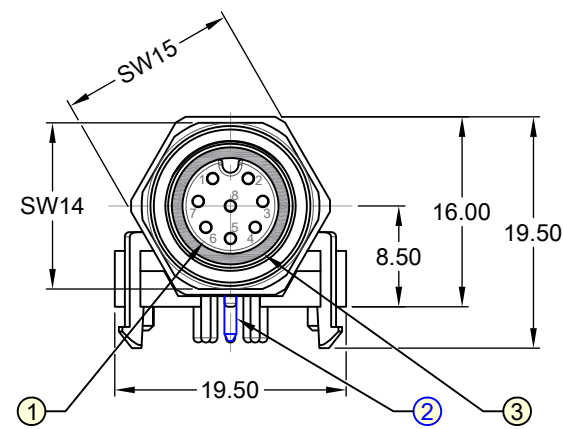


7		8	
REV.	DESCRIPTION	DATE	DRAWN
A	New	02.09.2020	Cherry



Order Code
M12-FA08-THFP-55/X00

Option
no suffix = without Shield Pin
S = with Shield Pin



Specifications

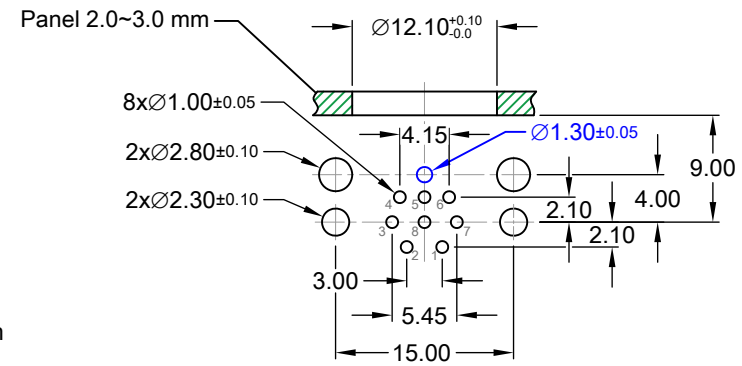
Electrical

Current rating: 2A per contact
Insulation resistance: 100MΩ min.
Voltage rating: 30V

Mechanical Requirements

Waterproof rate: IP67
Recommended panel thickness: 2.0 to 3.0mm
Operating life: 500 cycles min.

In accordance with IEC 61076-2-101:2012



Recommended PCB Layout and Panel Cut-out Top View
(Tolerance ±0.15)

Item	Part Name	Materials / Finish(Color)	Q'TY
1	Housing	Thermoplastic / Black	1
2	Shield Pin	Copper Alloy / Ni Plated	1
3	O-Ring	NBR / Black	1
4	Metal Body	Brass / Ni Plated	1
5	O-Ring	NBR / Black	1
6	Hex Nut	Copper Alloy / Ni Plated	1
7	Contact	Phosphor Bronze / Au Plated	8

E-tec 2020 © - all rights reserved www.e-tec.asia



UNIT	mm	GENERAL TOLERANCE		DRAWN	DATE	DWG. NO.	SHEET 1/1
SCALE	Free	X.° ±	X. ±	Cherry	02.09.2020	M12-FA08-THFP-55/00	REV. A
		.X° ±	.X ±	Cheng	03.09.2020	SERIES NO.	
		.XX° ±	.XX ± 0.25	APPROVE	DATE	M12-FA08-THFP-55/X00	
		.XXX° ±	.XXX ±	Fagi	03.09.2020		

M12 Circular Connector
8-Pin Female A-Coding Type
THT - Panel Front Mount - Right Angle