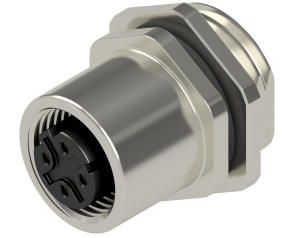
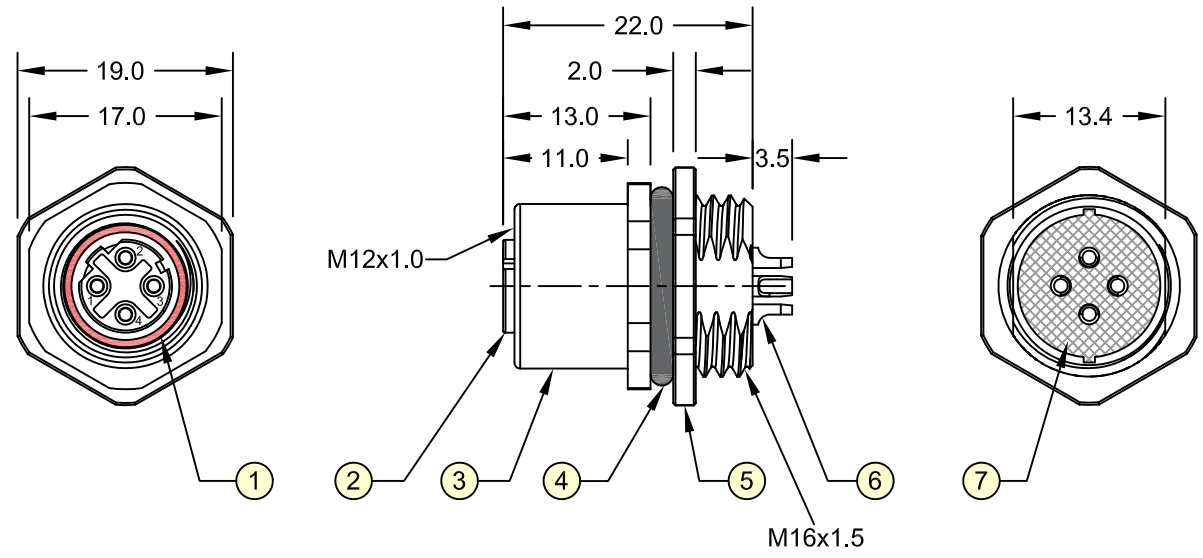


REV.	DESCRIPTION	DATE	DRAWN
A	New	06.08.2019	Cheng



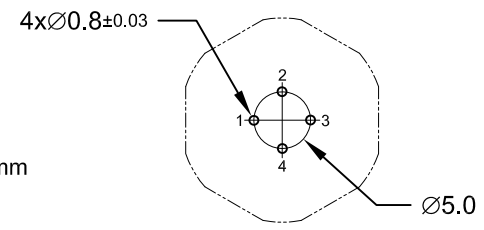
Order Code
M12-FD04-CVRP-55/00

Specifications

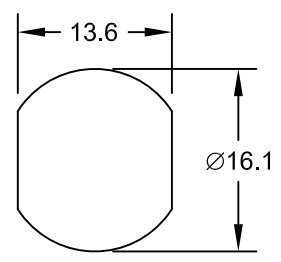
Electrical
 Current rating: 4A per contact
 Insulation resistance: 100MΩ min.
 Voltage rating: 250V AC/DC
 Withstanding voltage: 1400V AC

Mechanical Requirements
 Waterproof rate: IP68
 Recommended panel thickness: 0.8 to 3.0mm
 Recommended torque: 9~10 kgf-cm
 Operating life: 100 cycles min.

In accordance with IEC 61076-2-101:2012



Recommended PCB Layout Top View



Recommended Panel Cut-out
(Tolerance ±0.05)



Item	Part Name	Materials / Finish(Color)	Q'TY
1	O-Ring	Silicone / Red	1
2	Housing	Thermoplastic / Black	1
3	Metal Body	Copper Alloy / Ni Plated	1
4	O-Ring	NBR / Black	1
5	Hex Nut	Copper Alloy / Ni Plated	1
6	Contact	Copper Alloy / Au Plated	4
7	Glue	Epoxy / Black	-

E-tec 2019 © - all rights reserved www.e-tec.asia



UNIT	mm	GENERAL TOLERANCE		DRAWN	Cheng	DATE	06.08.2019	DWG. NO.	M12-FD04-CVRP-55/00	SHEET 1/1
SCALE	Free	X.° ±	X. ±	CHECK	Ronny	DATE	06.08.2019	SERIES NO.	M12-FD04-CVRP-55/00	REV. B
		.XX° ±	.XX ± 0.20	APPROVE	Fagi	DATE	06.08.2019			
		.XXX° ±	.XXX ±							

M12 Circular Connector
4-Pin Female D - Coding Type
 Solder Cup - Panel Rear Mount