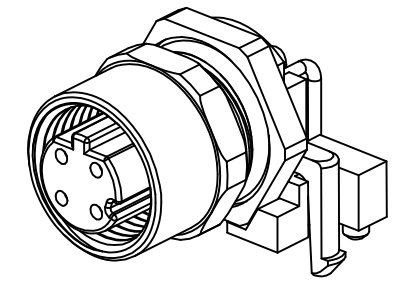
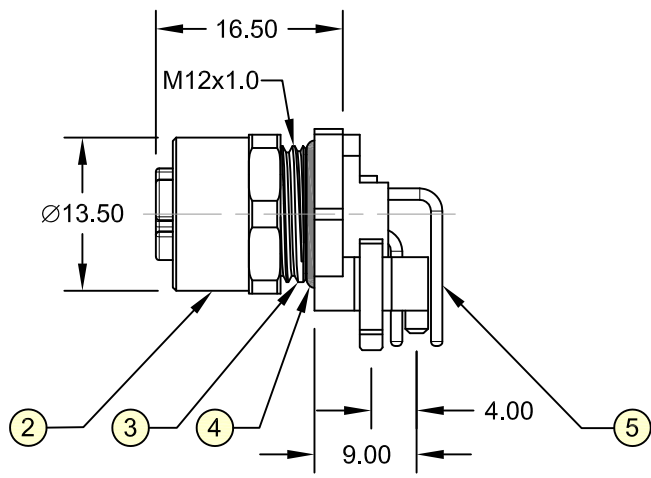
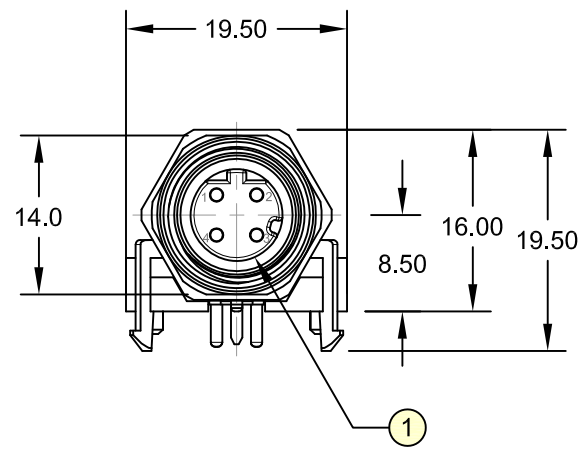


REV.	DESCRIPTION	DATE	DRAWN
A	New	18.11.2019	Cherry



Order Code
M12-FD04-THFP-55/00

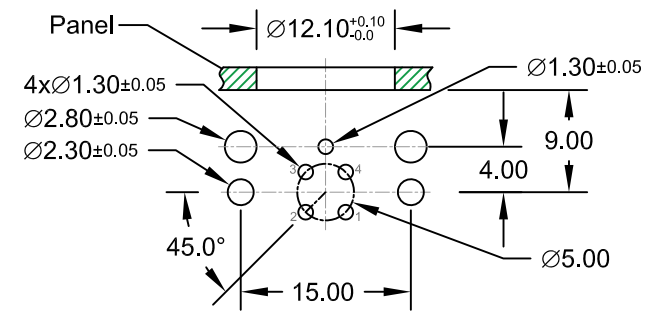
Specifications

Electrical
Current rating: 4A per contact
Insulation resistance: 100MΩ min.
Voltage rating: 250V AC/DC

Mechanical Requirements
Waterproof rate: IP67
Recommended panel thickness: 2.0 to 3.0mm
Operating life: 500 cycles min.

In accordance with IEC 61076-2-101:2012

E-tec 2019 © - all rights reserved www.e-tec.asia



Recommended PCB Layout and Panel Cut-out Size
Top View



Item	Part Name	Materials / Finish(Color)	Q'TY
1	Housing	Thermoplastic / Black	1
2	Hex Nut	Copper Alloy / Ni Plated	1
3	Metal Body	Copper Alloy / Ni Plated	1
4	O-Ring	NBR / Black	1
5	Contact	Phosphor Bronze / Au Plated	4

M12 Circular Connector
4-Pin Female D-Coding Type
THT - Panel Front Mount - Right Angle



UNIT	mm	GENERAL TOLERANCE		DRAWN	Cherry	DATE	18.11.2019	DWG. NO.	M12-FD04-THFP-55/00	SHEET	1/1
SCALE	Free	X.° ±	X. ±	CHECK	Cheng	DATE	18.11.2019	SERIES NO.	M12-FD04-THFP-55/00	REV.	A
		.XX° ±	.XX ± 0.25	APPROVE	Fagi	DATE	19.11.2019				
		.XXX° ±	.XXX ±								