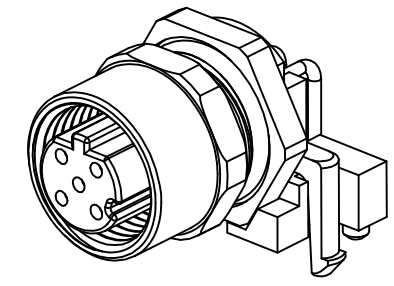
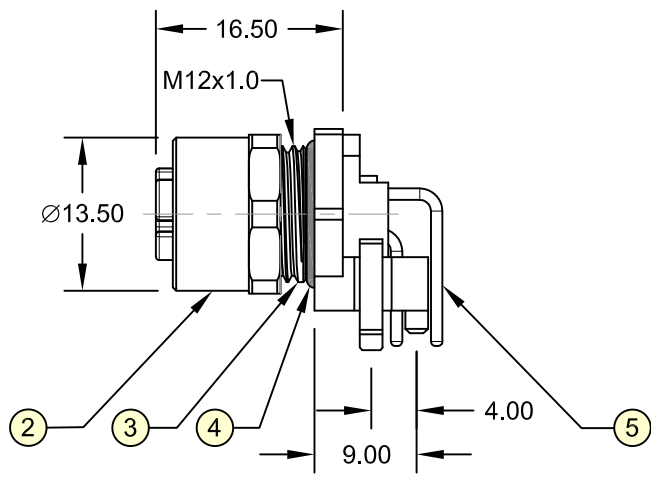
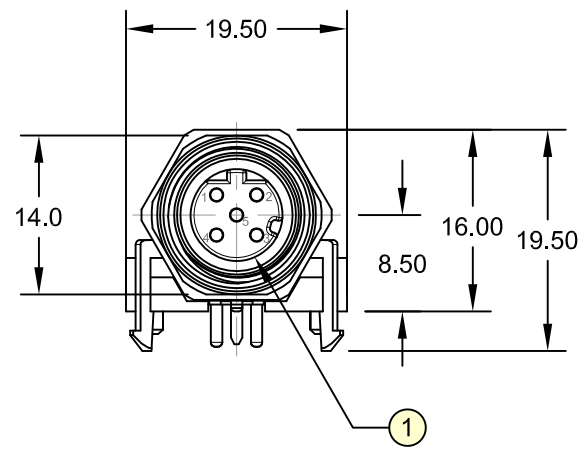


REV.	DESCRIPTION	DATE	DRAWN
A	New	18.11.2019	Cherry



**Order Code**  
M12-FD05-THFP-55/00

**Specifications**

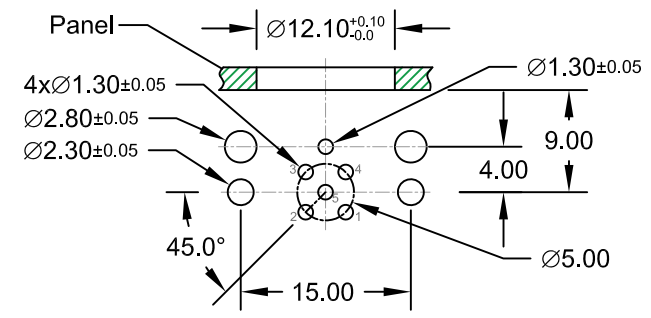
**Electrical**  
Current rating: 4A per contact  
Insulation resistance: 100MΩ min.  
Voltage rating: 60V AC/DC

**Mechanical Requirements**

Waterproof rate: IP67  
Recommended panel thickness: 2.0 to 3.0mm  
Operating life: 500 cycles min.

In accordance with IEC 61076-2-101:2012

E-tec 2019 © - all rights reserved www.e-tec.asia



Recommended PCB Layout and Panel Cut-out Size  
Top View



Item	Part Name	Materials / Finish(Color)	Q'TY
1	Housing	Thermoplastic / Black	1
2	Hex Nut	Copper Alloy / Ni Plated	1
3	Metal Body	Copper Alloy / Ni Plated	1
4	O-Ring	NBR / Black	1
5	Contact	Phosphor Bronze / Au Plated	5

**M12 Circular Connector**  
**5-Pin Female D-Coding Type**  
THT - Panel Front Mount - Right Angle



UNIT	mm	GENERAL TOLERANCE		DRAWN	Cherry	DATE	18.11.2019	DWG. NO.	M12-FD05-THFP-55/00	SHEET 1/1
SCALE	Free	X.° ±	X. ±	CHECK	Cheng	DATE	18.11.2019	SERIES NO.	M12-FD05-THFP-55/00	REV. A
		.XX° ±	.XX ± 0.25	APPROVE	Fagi	DATE	19.11.2019			
		.XXX° ±	.XXX ±							