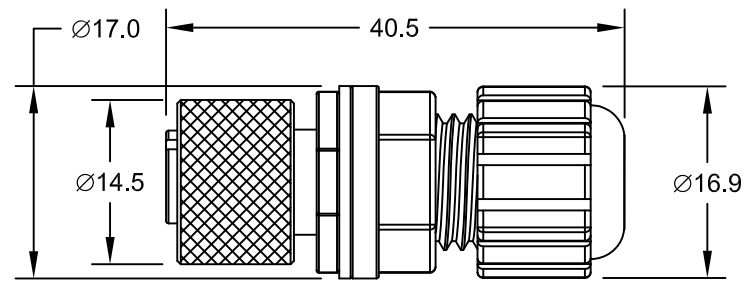
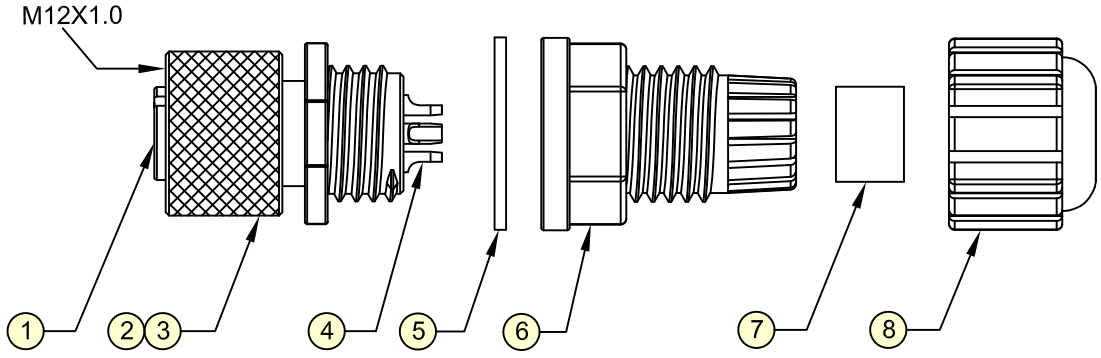


REV.	DESCRIPTION	DATE	DRAWN
A	New	28.12.2016	Cherry
B	General update	03.07.2019	Cheng

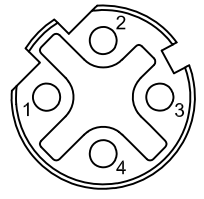


Specifications

Electrical
 Current rating: 4A per contact
 Insulation resistance: 100MΩ min.
 Contact resistance: 10mΩ max.
 Voltage rating: 60V AC/DC
 Withstanding voltage: 1000V AC

Mechanical Requirements

Waterproof rate: IP68
 Cable diameter: Ø4.0~6.5mm
 Recommended cover torque: 6~7 kgf-cm
 Recommended gland nut torque: 9~10 kgf-cm



Pin Assignment Front View

Order Code
M12-FD04-CVFA-55/00

In accordance with IEC 61076-2-101:2012

Item	Part Name	Materials / Finish(Color)	Q'TY
1	Housing	Thermoplastic / Black	1
2	Screw Nut	M12X1, Copper Alloy / Ni Plated	1
3	O-Ring	Silicone / Red	1
4	Contact	Copper Alloy / Au Plated	4
5	Gasket	EPDM / Black	1
6	Cover	Thermoplastic / Black	1
7	Gland	NBR / Black	1
8	Gland Nut	Thermoplastic / Black	1

E-tec 2019 © - all rights reserved www.e-tec.asia



UNIT	mm	GENERAL TOLERANCE		DRAWN	Cherry	DATE	16.12.2016	DWG. NO.	M12-FD04-CVFA-55/00	SHEET	1/1
SCALE	Free	X.° ±	X. ±	CHECK	Cheng	DATE	03.07.2019	SERIES NO.	M12-FD04-CVFA-55/00	REV.	B
		.XX° ±	.XX ± 0.20	APPROVE	Fagi	DATE	03.07.2019				
		.XXX° ±	.XXX ±								

M12 Circular Connector
4-Pin Female D - Coding Type
Solder Cup - Field Assembly