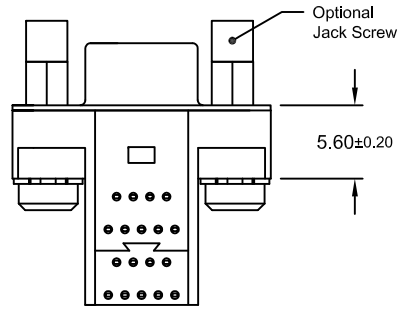


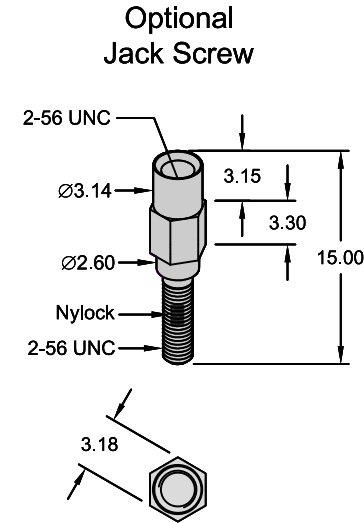
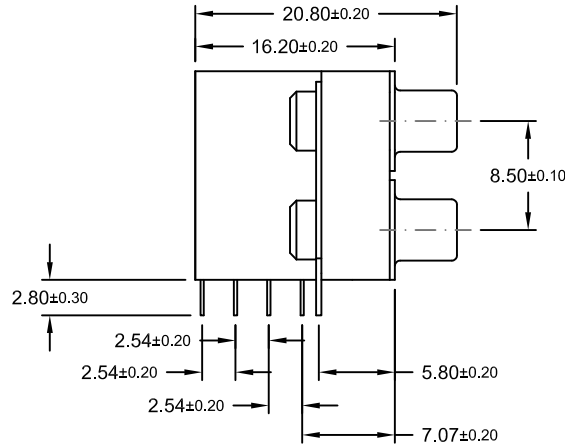
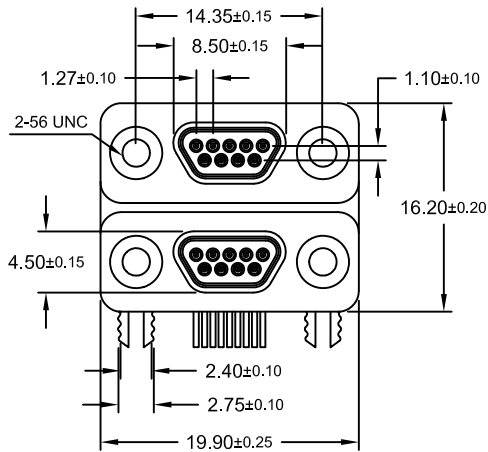
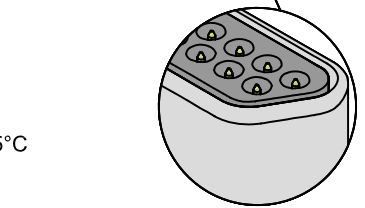
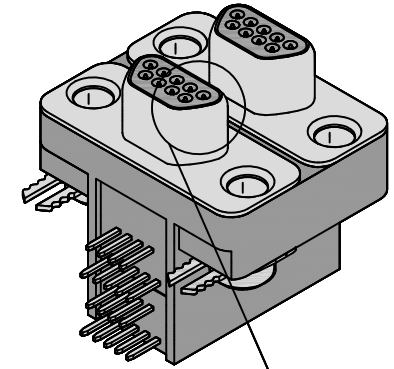
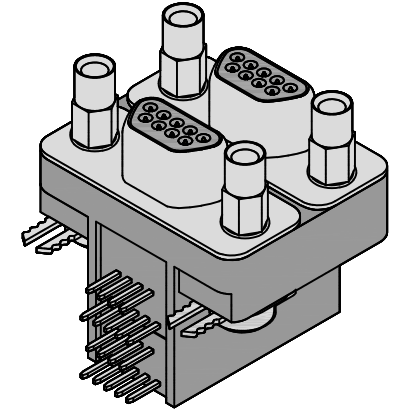
REV.	DESCRIPTION	DATE	DRAWN
A	New	17.08.2011	Ronny
B	correct Order Code MSF -> MSD	22.03.2012	Ronny
C	general update	25.07.2019	Ronny



Order Code
MSD-0909-0-97-MNX

Option

no suffix = w/o Jack Screw (Standard)
J = with Jack Screw



Optional Jack Screw

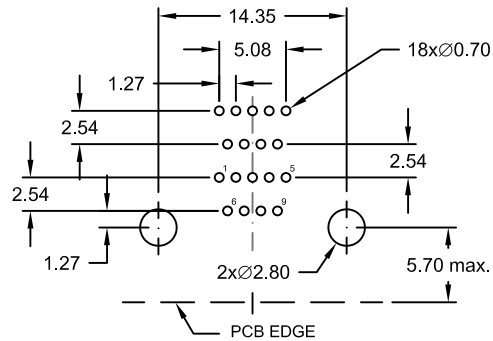
Specifications

Electrical

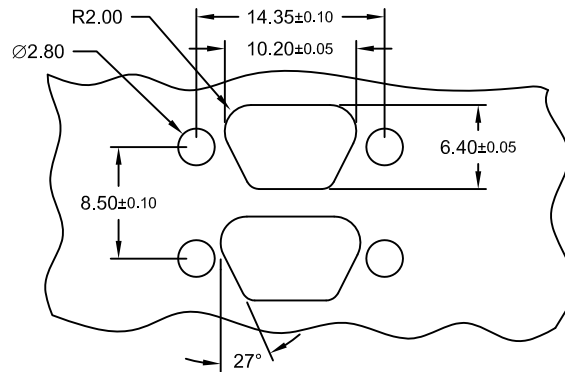
Current rating: 1A
Insulation resistance: 1000MΩ min.
Dielectric withstanding: 500V AC
Contact resistance: 45mΩ max.
Operating temperature: -55°C to +85°C

Materials

Contact: Copper Alloy
Plating: Contact area: Au 15μ" over Ni
Solder area: Sn over Ni
Insulator: PBT UL 94V-0
Shell: Cold roller Steel
Plating: Bright Sn over Cu



Recommended PCB Layout
(Tolerance ±0.05)



Recommended Panel cutout
(Tolerance ±0.05)

E-tec 2019 © - all rights reserved www.e-tec.asia



UNIT	GENERAL TOLERANCE		DRAWN	DATE	DWG. NO.	SHEET 1/1
mm	X.° ±	X. ±	Ronny	17.08.2011	MSD-0909-0	REV. C
SCALE	.X° ±	.X ±	CHECK	DATE	SERIES NO.	
Free	.XX° ±	.XX ± 0.15	Ronny	25.07.2019	MSD-xxxx-0-97-MNX	
	.XXX° ±	.XXX ±	APPROVE	DATE		
			Fagi	25.07.2019		

Micro D-Sub Connector
THT right angle Dual Port
2 x 9 - contact male