

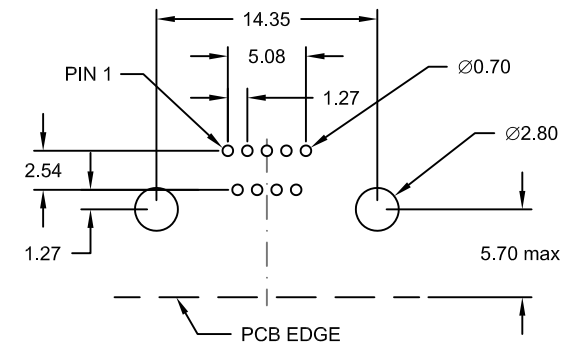
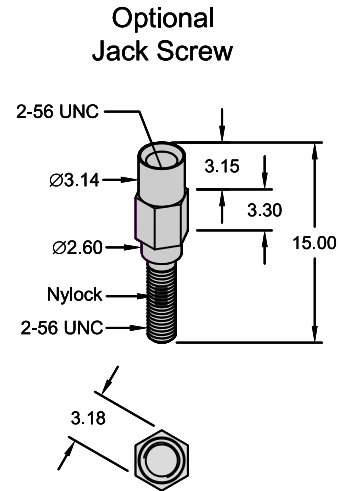
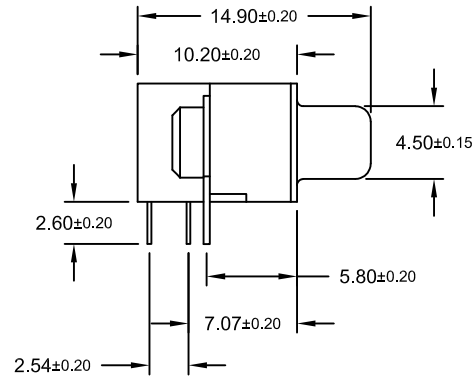
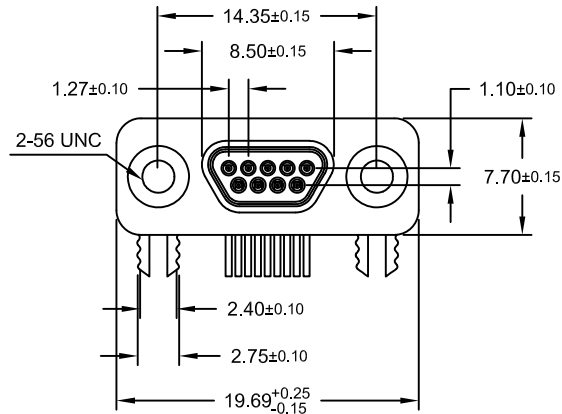
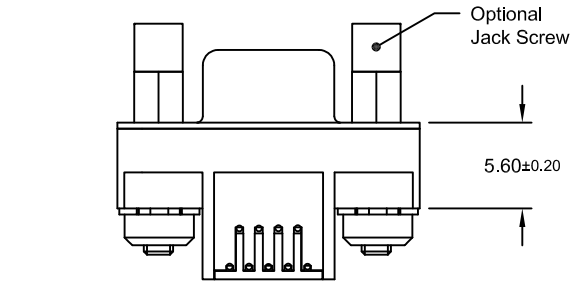
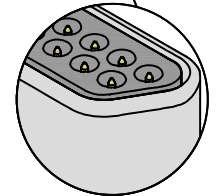
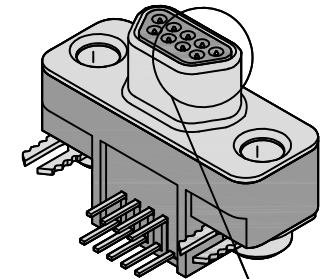
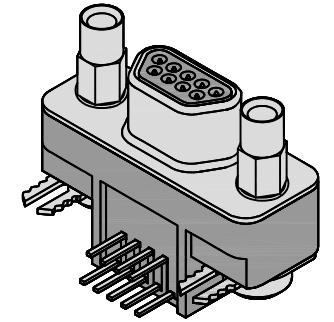
REV.	DESCRIPTION	DATE	DRAWN
A	New	25.08.2010	Ronny
B	general update	25.07.2019	Ronny

Order Code MSM-009-SS97-97/NX

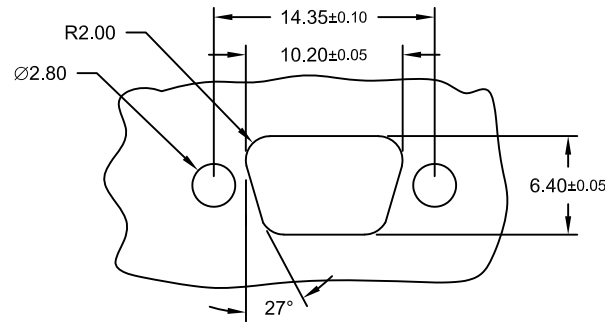
Option

no suffix = w/o Jack Screw (Standard)

J = with Jack Screw



Recommended PCB Layout
(Tolerance ±0.05)



Recommended Panel cutout
(Tolerance ±0.05)

Specifications

Electrical

Current rating: 1A
Insulation resistance: 1000MΩ min.
Dielectric withstanding: 500V AC
Contact resistance: 45mΩ max.
Operating temperature: -55°C to +85°C

Materials

Contact: Copper Alloy
Plating: Contact area: Au 15μ" over Ni
Solder area: Sn over Ni
Insulator: PBT UL 94V-0
Shell: Cold roller Steel
Plating: Bright Sn over Cu



E-tec 2019 © - all rights reserved www.e-tec.asia



UNIT	mm	GENERAL TOLERANCE		DRAWN	DATE	DWG. NO.	SHEET 1/1
		X.° ±	X. ±	Ronny	25.08.2010	MSM-009-SS97	REV. B
SCALE	Free	.X° ±	.X ±	Ronny	25.07.2019	SERIES NO.	
		.XX° ±	.XX ± 0.15	Fagi	25.07.2019	MSM-xxx-SS97-xx/NX	
		.XXX° ±	.XXX ±				

Micro D-Sub Connector
-THT- right angle
9 - contact Male