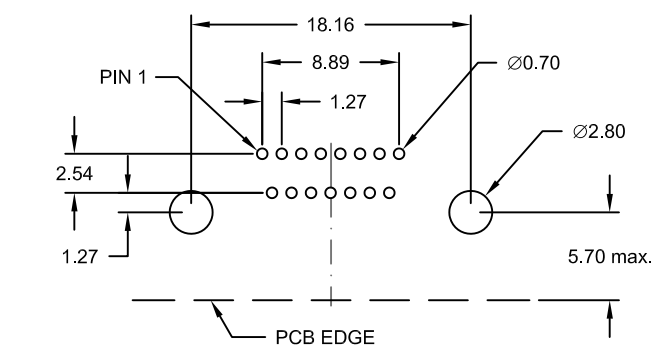
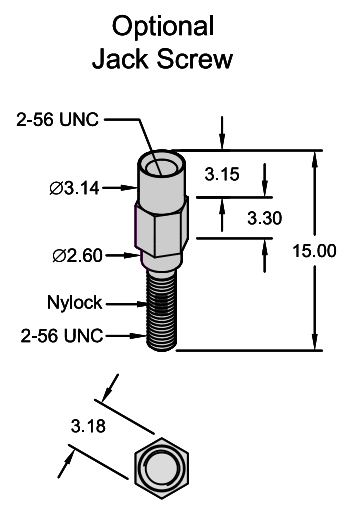
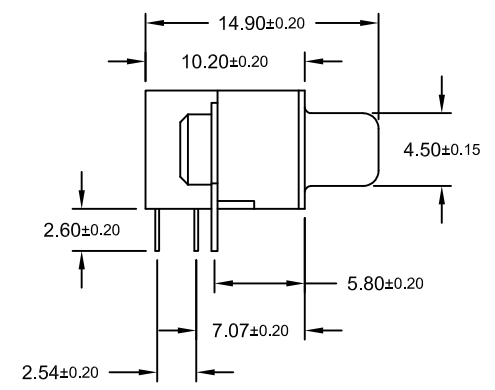
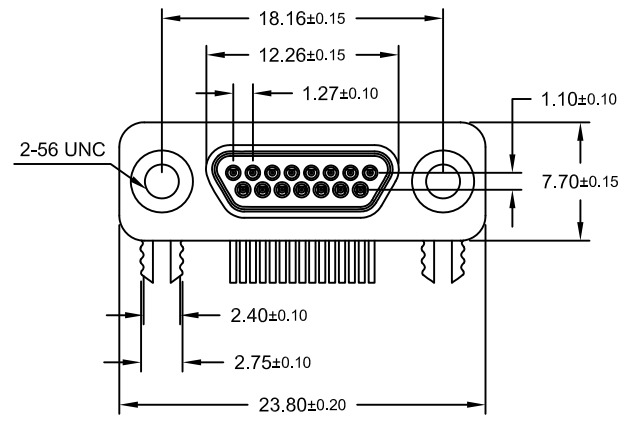
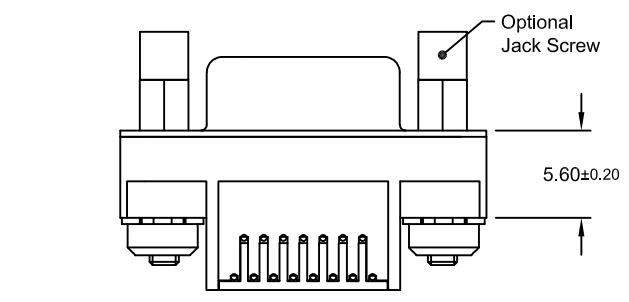
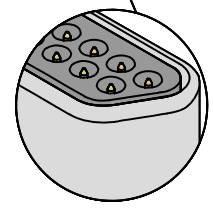
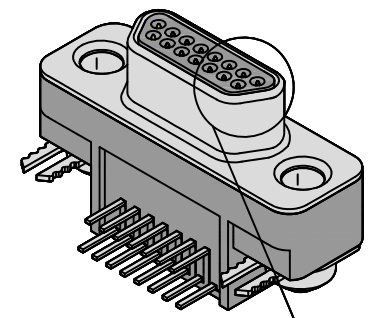
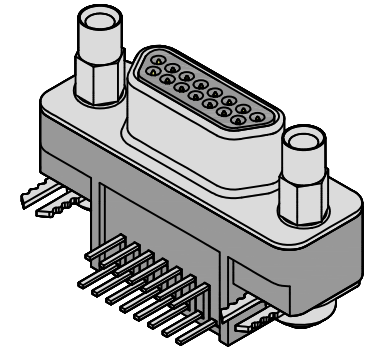


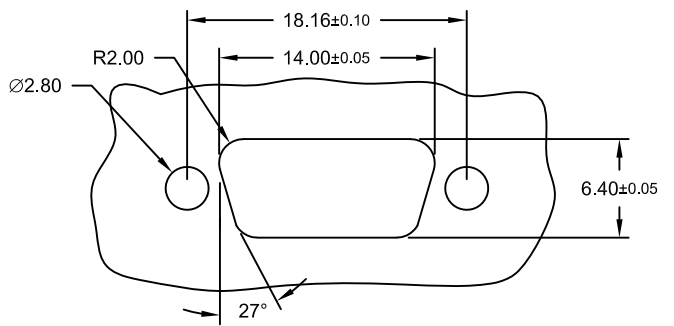
REV.	DESCRIPTION	DATE	DRAWN
A	New	25.08.2010	Ronny
B	general update	25.07.2019	Ronny

# Order Code MSM-015-SS97-97/NX

Option  
no suffix = w/o Jack Screw (Standard)  
**J** = with Jack Screw



Recommended PCB Layout  
(Tolerance ±0.05)



Recommended Panel cutout  
(Tolerance ±0.05)

## Specifications

**Electrical**  
Current rating: 1A  
Insulation resistance: 1000MΩ min.  
Dielectric withstanding: 500V AC  
Contact resistance: 45mΩ max.  
Operating temperature: -55°C to +85°C

## Materials

Contact: Copper Alloy  
Plating: Contact area: Au 15μ" over Ni  
Solder area: Sn over Ni  
Insulator: PBT UL 94V-0  
Shell: Cold roller Steel  
Plating: Bright Sn over Cu



E-tec 2019 © - all rights reserved www.e-tec.asia



UNIT	mm	GENERAL TOLERANCE		DRAWN	DATE	DWG. NO.	SHEET 1/1
SCALE	Free	X.° ±	X. ±	Ronny	25.08.2010	MSM-015-SS97	REV. B
		.X° ±	.X ±	Ronny	25.07.2019	SERIES NO.	
		.XX° ±	.XX ± 0.15	Fagi	25.07.2019	MSM-xxx-SS97-xx/NX	
		.XXX° ±	.XXX ±				

**Micro D-Sub Connector**  
**-THT- right angle**  
**15 - contact Male**