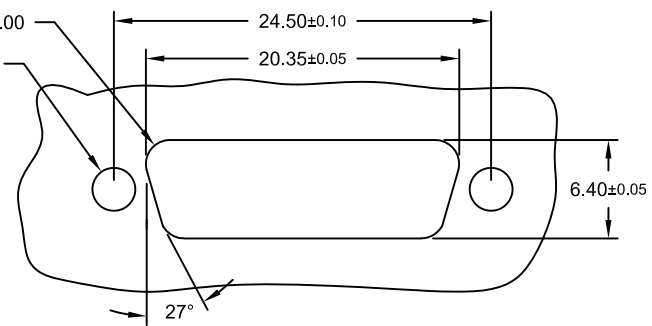
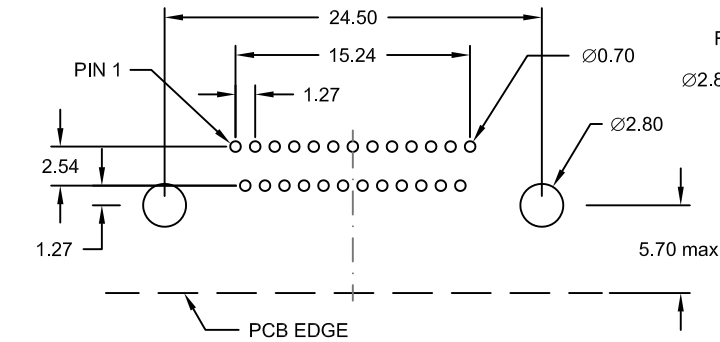
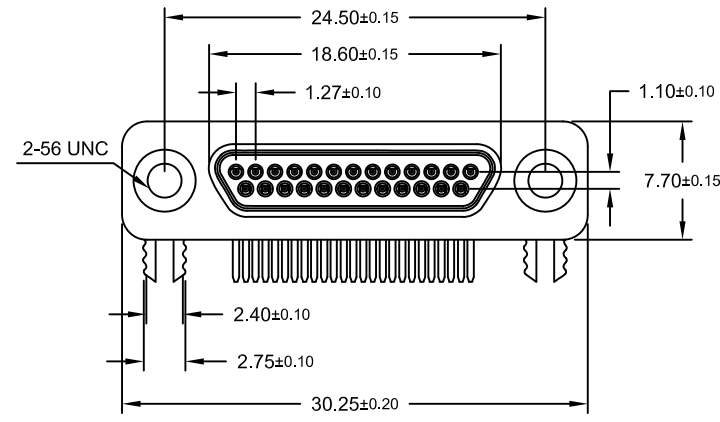
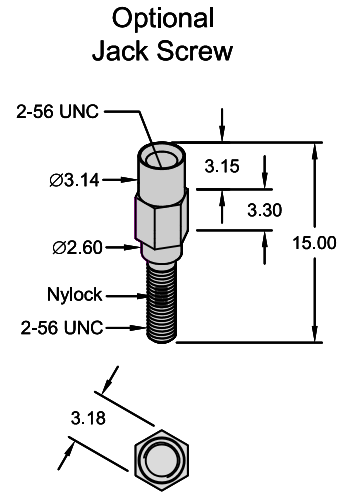
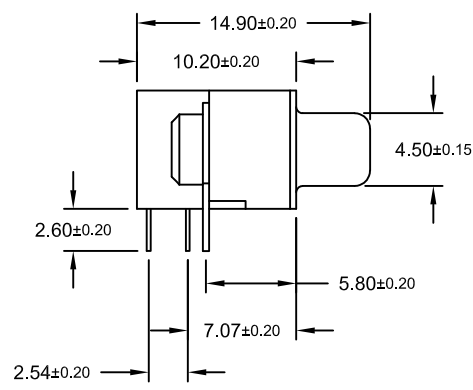
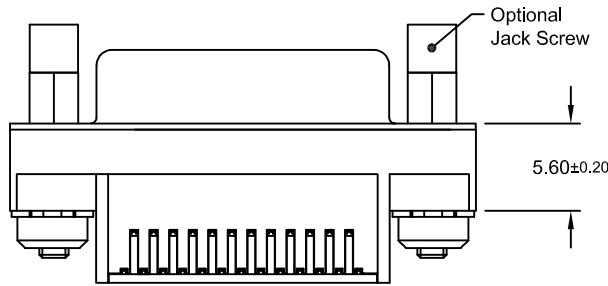
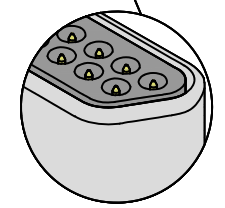
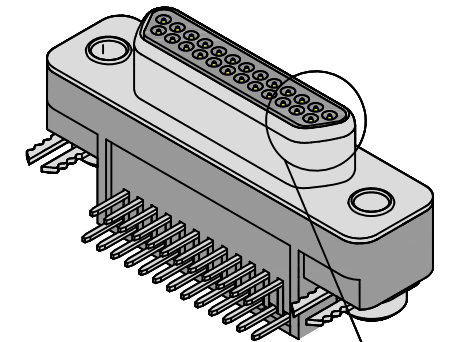
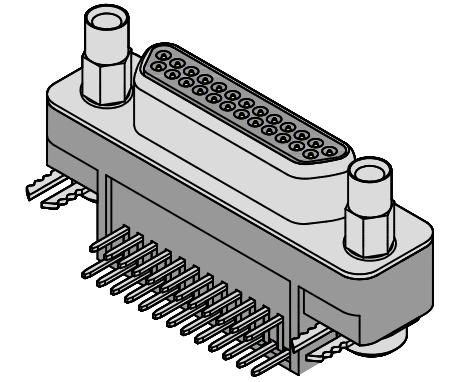


REV.	DESCRIPTION	DATE	DRAWN
A	New	17.11.2010	Ronny
B	general update	25.07.2019	Ronny

Order Code MSM-025-SS97-97/NX

Option
no suffix = w/o Jack Screw (Standard)
J = with Jack Screw



Specifications

Electrical
Current rating: 1A
Insulation resistance: 1000MΩ min.
Dielectric withstanding: 500V AC
Contact resistance: 45mΩ max.
Operating temperature: -55°C to +85°C

Materials

Contact: Copper Alloy
Plating: Contact area: Au 15μ" over Ni
Solder area: Sn over Ni
Insulator: PBT UL 94V-0
Shell: Cold roller Steel
Plating: Bright Sn over Cu



E-tec 2019 © - all rights reserved www.e-tec.asia



UNIT	mm	GENERAL TOLERANCE		DRAWN	DATE	DWG. NO.	SHEET 1/1
	SCALE	Free	X.° ±	X. ±	DATE		
			.X° ±	.X ±	DATE		
			.XX° ±	.XX ± 0.15	DATE		
		.XXX° ±	.XXX ±	DATE			

DATE	17.11.2010	MSM-025-SS97
CHECK	Ronny	REV. B
DATE	25.07.2019	SERIES NO.
APPROVE	Fagi	MSM-xxx-SS97-xx/NX
DATE	25.07.2019	

Micro D-Sub Connector
-THT- right angle
25 - contact Male