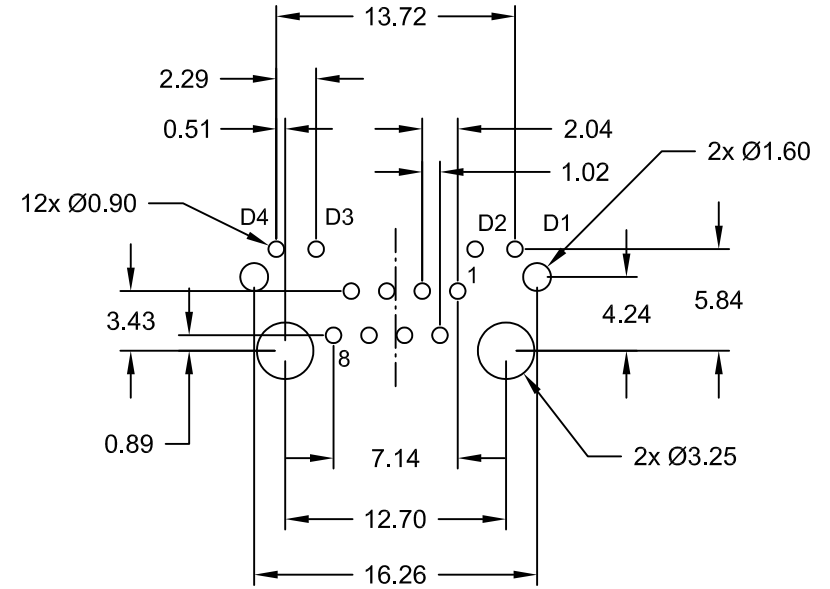
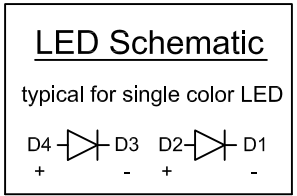
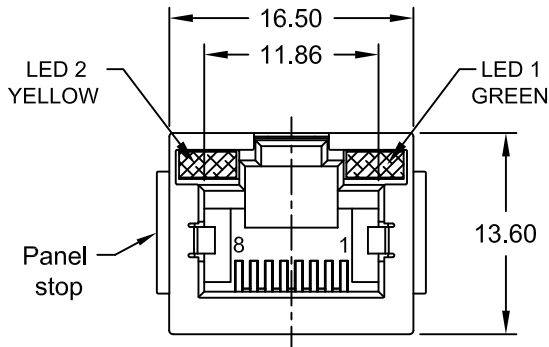
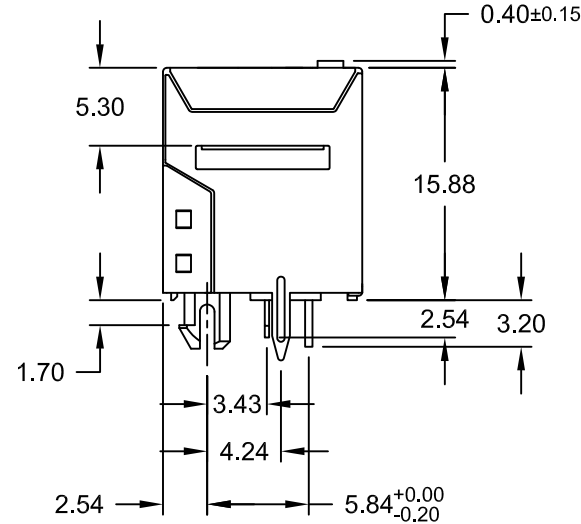
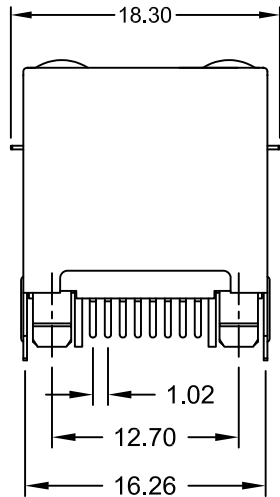


REV.	DESCRIPTION	DATE	DRAWN
A	NEW	08.12.2008	RH
B	update	02.09.2015	Ronny



Recommended PCB Layout Top View
 (Tolerance ±0.05)



PART NUMBER	GOLD PLATING CONTACT AREA
MJT-188-L1S30-95/1CS	3μ"
MJT-188-L1S30-96/1CS	6μ"
MJT-188-L1S30-97/1CS	15μ"
MJT-188-L1S30-98/1CS	30μ"
MJT-188-L1S30-9H/1CS	50μ"

Specifications

Electrical
 Current rating: 1.5A
 Insulation resistance: 500MΩ min.
 Withstanding voltage: 1000V rms 60Hz / Minute
 Contact resistance: 40mΩ max.



Material

Contact: Phosphor Bronze
 Plating: Sn on solder area;
 Au on contact area
 Insulator: PBT (black) UL 94V-0
 Operating temperature: -60°C to +105°C
 Cavity comply with FCC Rules and Regulations Part 68, Subpart F

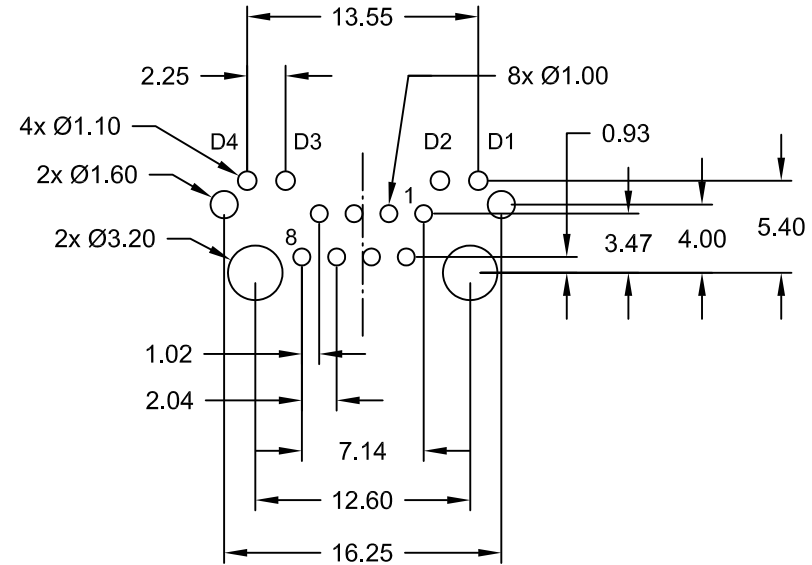
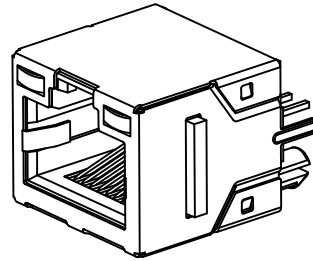
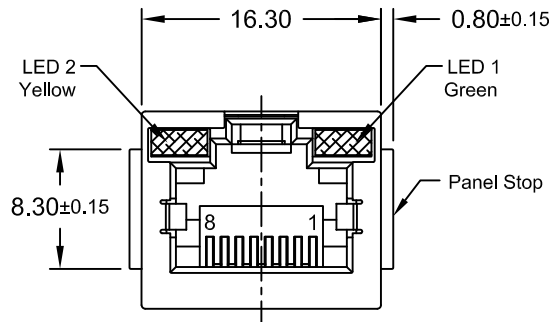
E-tec 2015 © - all rights reserved



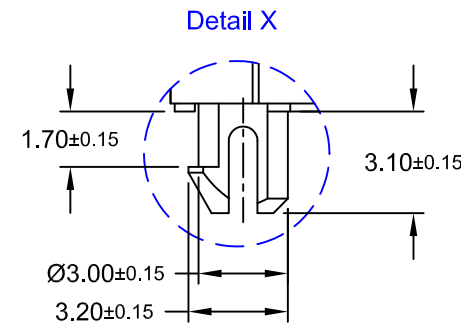
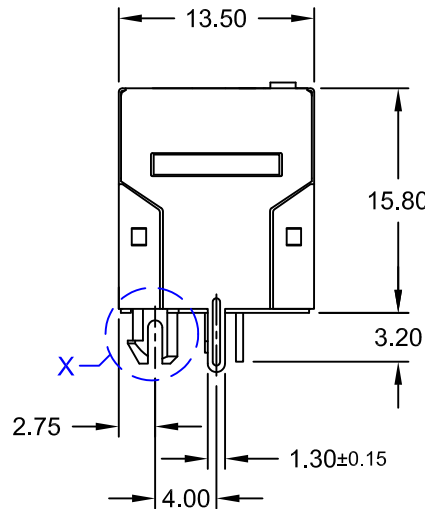
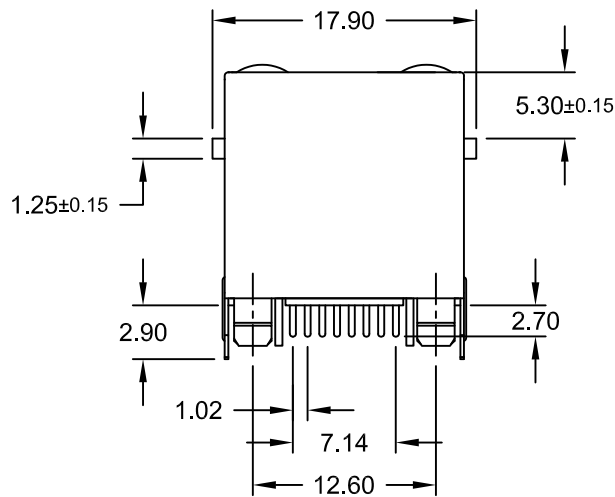
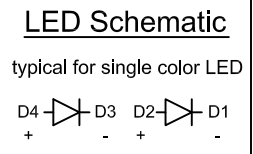
UNIT	SCALE	GENERAL TOLERANCE	DRAWN	DATE	DWG. NO.	SHEET 1/1
mm	Free	X.° ± X. ±	RH	08.12.2008	1441502	REV. B
		.X° ± .X ±	Ronny	02.09.2015	SERIES NO.	
		.XX° ± .XX ± 0.25	Hogi	02.09.2015	MJT-188-L1S30-9x/xCS	
		.XXX° ± .XXX ±				

TOP ENTRY RJ45 PCB JACK <8P8C>
 Low profile type fully shielded
 with LED & with panel stop
PBT Material

REV.	DESCRIPTION	DATE	DRAWN
A	NEW	02.09.2015	Ronny
B	correct DIM 16.03 -> 16.30; 18.10 -> 17.90	07.10.2015	Ronny



Recommended PCB Layout Top View
(Tolerance ±0.05)



PART NUMBER	GOLD PLATING CONTACT AREA
MJT-188-LOS31-95/1CS	3µ"
MJT-188-LOS31-96/1CS	6µ"
MJT-188-LOS31-97/1CS	15µ"
MJT-188-LOS31-98/1CS	30µ"
MJT-188-LOS31-9H/1CS	50µ"

Specifications

Electrical
 Current rating: 1.5A
 Insulation resistance: 500MΩ min.
 Withstanding voltage: 1000V rms 60Hz / Minute
 Contact resistance: 50mΩ max.



Material
 Contact: Copper Alloy t=0.35mm
 Plating: Sn on solder area;
 Au on contact area
 Shell: Copper Alloy; Ni plating
 Insulator: PBT (black) UL 94V-0
 Operating temperature: -60°C to +105°C
 Cavity comply with FCC Rules and Regulations Part 68, Subpart F

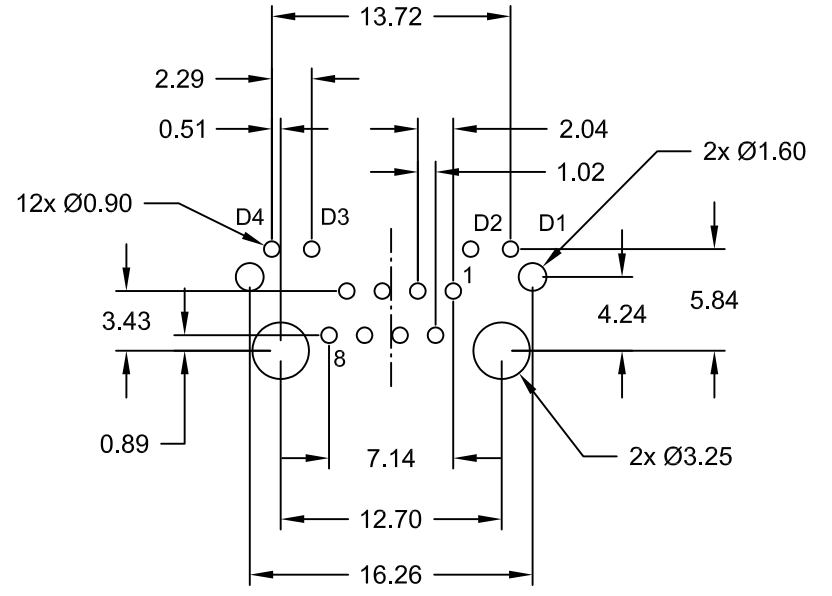
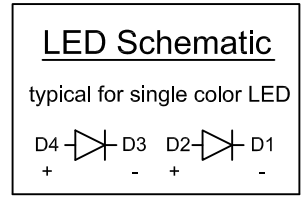
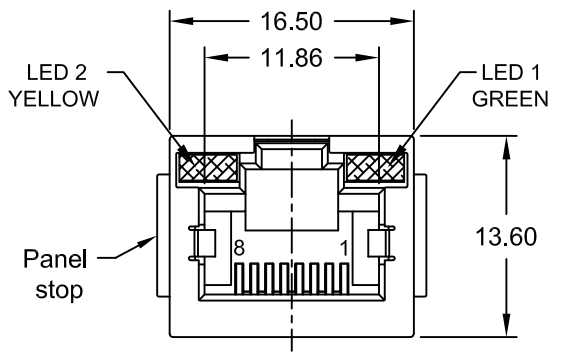
E-tec 2015 © - all rights reserved



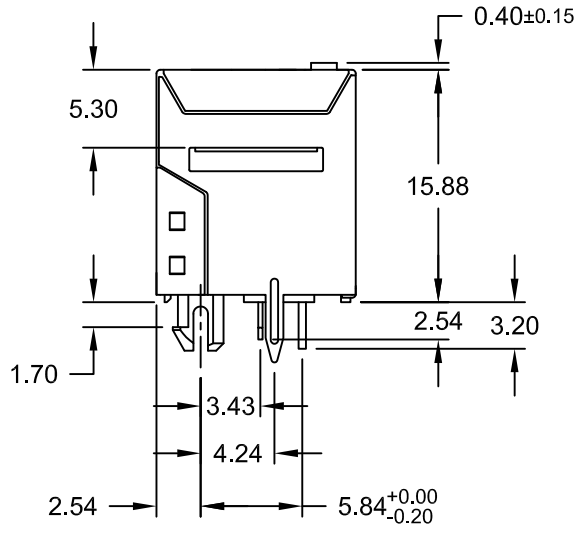
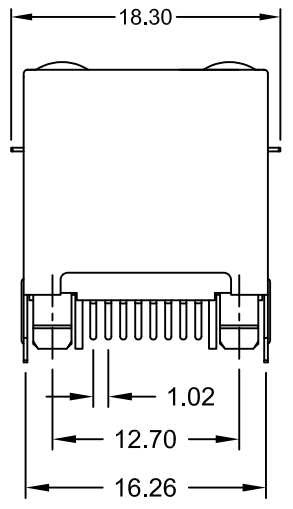
UNIT	SCALE	GENERAL TOLERANCE	DRAWN	DATE	DWG. NO.	SHEET 1/1
mm	Free	X.° ± X. ±	Ronny	02.09.2015	1441504	REV. B
		.X° ± .XX ± 0.25	Hogi	07.10.2015	SERIES NO.	
		.XXX° ± .XXX ±	Hogi	07.10.2015	MJT-LOS31-9x/xCS	

TOP ENTRY RJ45 PCB JACK <8P8C>
 Low profile type fully shielded
 with panel stop **with LED**

REV.	DESCRIPTION	DATE	DRAWN
A	NEW	02.09.2015	Ronny



Recommended PCB Layout Top View
 (Tolerance ±0.05)



PART NUMBER	GOLD PLATING CONTACT AREA
MJT-188-LH1S30-95/1CS	3μ"
MJT-188-LH1S30-96/1CS	6μ"
MJT-188-LH1S30-97/1CS	15μ"
MJT-188-LH1S30-98/1CS	30μ"
MJT-188-LH1S30-9H/1CS	50μ"

Specifications

Electrical
 Current rating: 1.5A
 Insulation resistance: 500MΩ min.
 Withstanding voltage: 1000V rms 60Hz / Minute
 Contact resistance: 40mΩ max.



Material

Contact: Phosphor Bronze
 Plating: Sn on solder area;
 Au on contact area
 Insulator: Nylon 6T (black) UL 94V-0
 Operating temperature: -60°C to +105°C
 Cavity comply with FCC Rules and Regulations Part 68, Subpart F

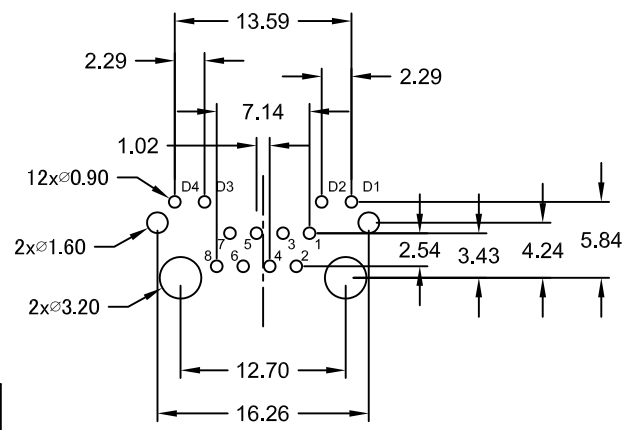
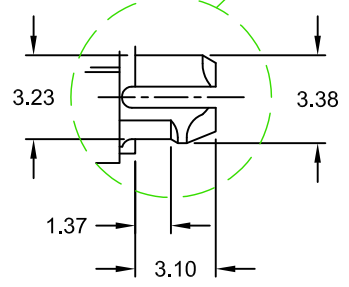
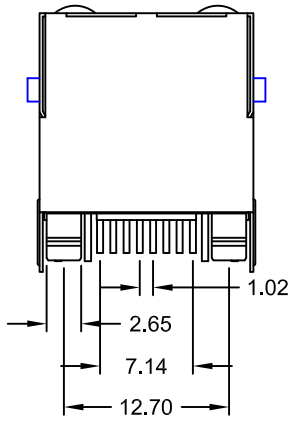
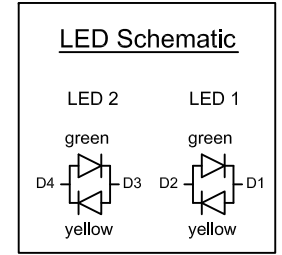
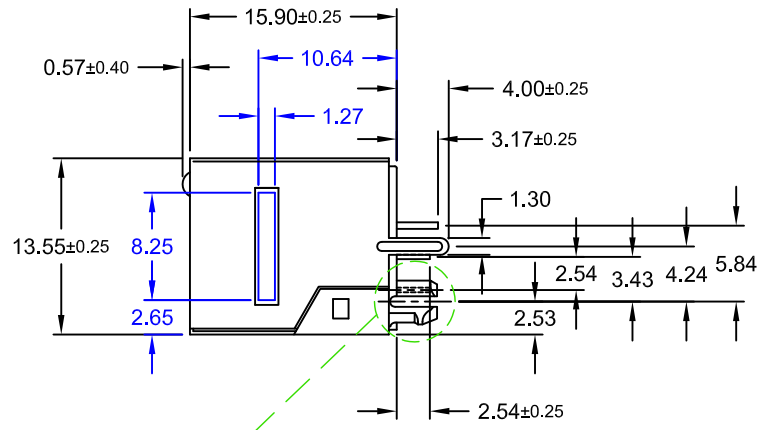
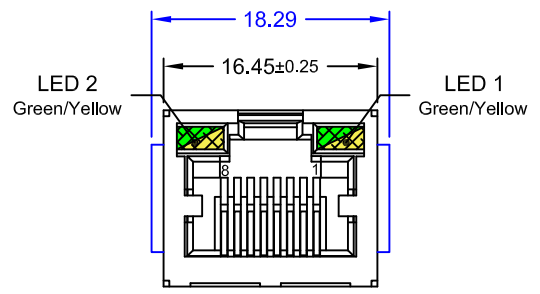
E-tec 2015 © - all rights reserved



UNIT mm	GENERAL TOLERANCE		DRAWN Ronny	DATE 02.09.2015	DWG. NO. 1441503	SHEET 1/1
	X.° ±	X. ±	CHECK Hogi	DATE 02.09.2015	SERIES NO. MJT-188-LH1S30-9x/xCS	REV. A
	.XX° ±	.XX ± 0.25	APPROVE Hogi	DATE 02.09.2015		
	.XXX° ±	.XXX ±				
SCALE Free						

TOP ENTRY RJ45 PCB JACK <8P8C>
 Low profile type fully shielded
 with LED & with panel stop
Nylon 6T Material

REV.	DESCRIPTION	DATE	DRAWN
A	New	15.08.2016	Cherry



Specifications

Electrical

Current rating: 1.5A
 Insulation resistance: 200MΩ min. @500V DC
 Contact resistance: 30mΩ max.
 Withstanding voltage: 1000V rms 60Hz / Minute

Material

Contact: Phosphor Bronze
 Plating: Sn on solder, Au on contact area;
 entire contact Ni underplated
 Shield: Brass; Ni Plated
 LED Solder Tail: Steel; Tin Plated
 Insulator: PA46 (black) UL 94V-0

Operating temperature: -40°C to +85°C

Cavity conforms to FCC rules and regulations
 Part 68, Subpart F

PART NUMBER <i>WITHOUT PANEL STOP</i>	PART NUMBER <i>WITH PANEL STOP</i>	GOLD PLATING CONTACT AREA
MJT-188-L3S0-98/KACS	MJT-188-L3S30-98/KACS	30μ"

Recommended PCB Hole Layout Top View
 (Tolerance ±0.05)

E-tec 2016 © - all rights reserved



UNIT mm	GENERAL TOLERANCE		DRAWN Cherry	DATE 15.08.2016	DWG. NO. 1441505	SHEET 1/1
	X.° ±	X. ±	CHECK Hogi	DATE 15.08.2016	SERIES NO. MJT-188-L3Sx0-98/KACS	REV. A
	.XX° ±	.XX ± 0.13	APPROVE Hogi	DATE 15.08.2016		
	.XXX° ±	.XXX ±				
SCALE Free						

Top Entry PCB Jack
 RJ45 <8P8C> fully shielded with LED
with & without panel stop