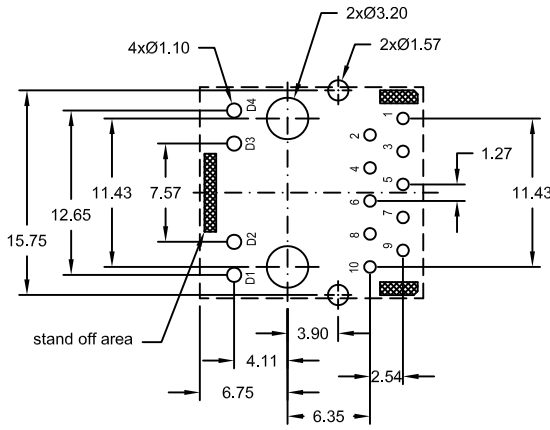
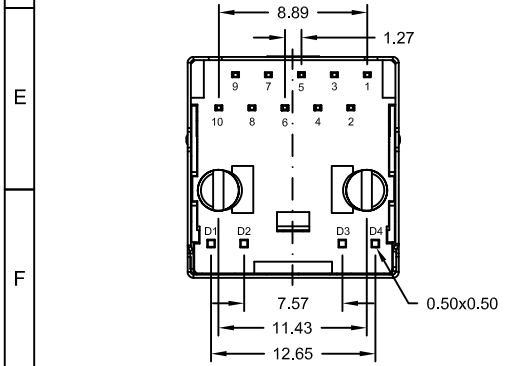
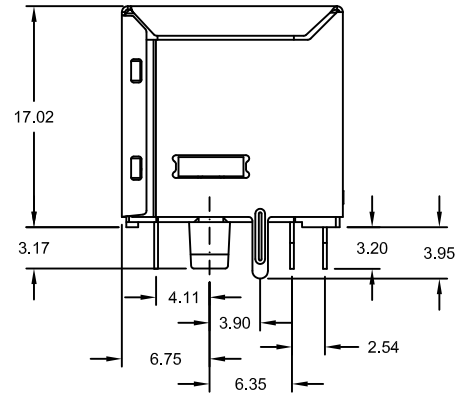
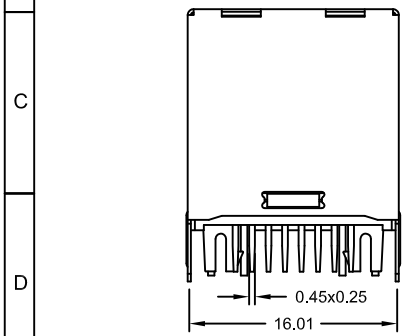
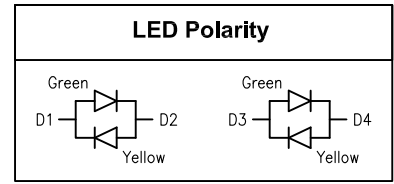
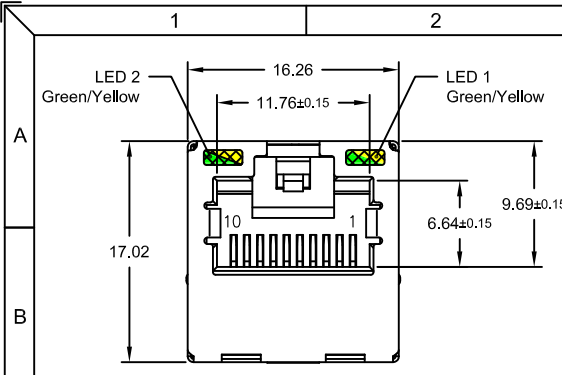
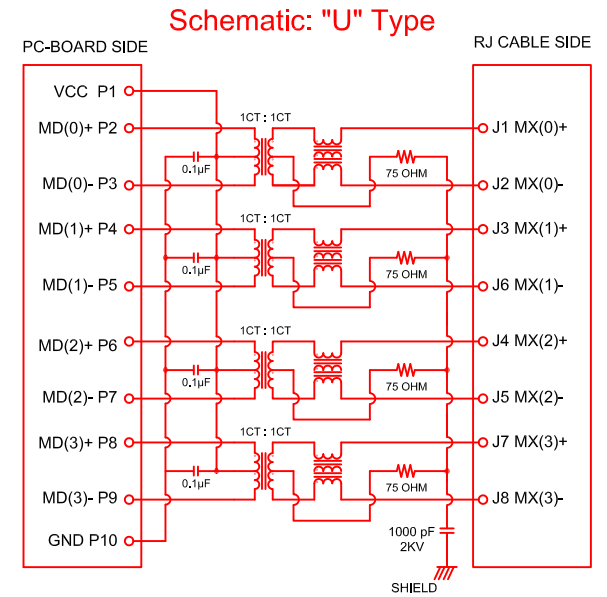


REV.	DESCRIPTION	DATE	DRAWN
A	New	17.05.2011	Sword
D	Material PBT -> LCP	24.07.2012	RH
E	correct PN: -M50SH- -> -M50SU-	28.10.2013	Ronny
F	Plug insert area: 6,80 -> 6,64; 9,72 -> 9,69; 11,90 -> 11,76	21.01.2015	Ronny



PART NUMBER	GOLD PLATING CONTACT AREA
MJT-108-M50SU-96KACS	6µ"
MJT-108-M50SU-97KACS	15µ"
MJT-108-M50SU-98KACS	30µ"
MJT-108-M50SU-9HKACS	50µ"



**ELECTRICAL CHARACTERISTICS** [Test Notes: (25°C ±5°C)]

- TR: (100KHz 0.1V):  
Pins: (P2,P3):(J1,J2)=1:1±3% Pins: (P4,P5):(J3,J6)=1:1±3% Pins: (P6,P7):(J4,J5)=1:1±3% Pins: (P8,P9):(J7,J8)=1:1±3%
- LX: (100KHz 100mV 8mA DC Bias)  
Pins: (P2,P3),(P4,P5),(P6,P7),(P8,P9)=350µH min.
- DCR:  
Pins: (J1-J2),(J3-J6),(J4-J5),(J7-J8)=1.2Ω max.
- HIPOT:  
Pins: (P2,P3)to(J1,J2),(P4,P5)to(J3,J6)=1500V AC for 60 Sec.  
Pins: (P6,P7)to(J4,J5),(P8,P9)to(J7,J8)=1500V AC for 60 Sec.
- INSERTION LOSS:  
-0.8dB max. at 0.3MHz to 100MHz  
-1.2dB max. at 100MHz to 120MHz
- RETURN LOSS (100Ω ±5Ω):  
-18dB min. at 0.5MHz to 40MHz;  
-12+20Log(f/80MHz)dB min. at 0.1MHz to 100MHz
- CROSS TALK:  
-33+20Log(f/100MHz)dB min. at 0.1MHz to 100MHz
- COMMON TO DIFFERENTIAL MODE REJECTION:  
-35dB min. at 300KHz to 100MHz
- COMMON TO COMMON MODE REJECTION:  
-30dB min. at 300KHz to 100MHz



**SPECIFICATION**

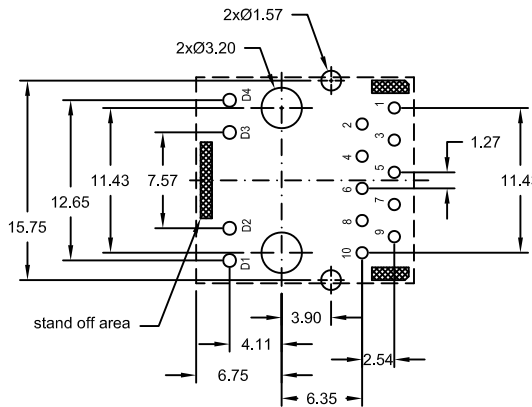
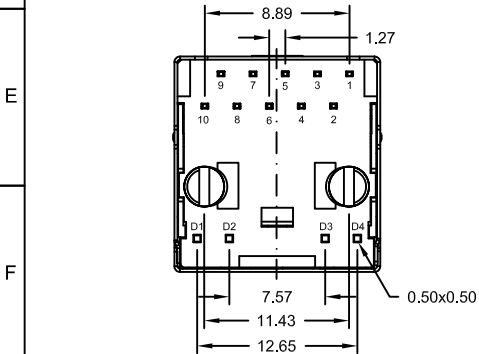
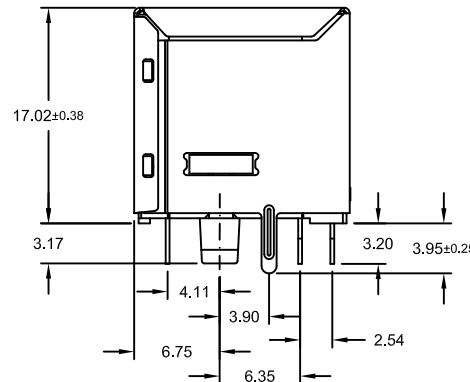
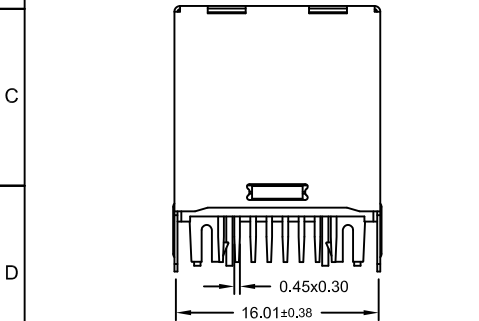
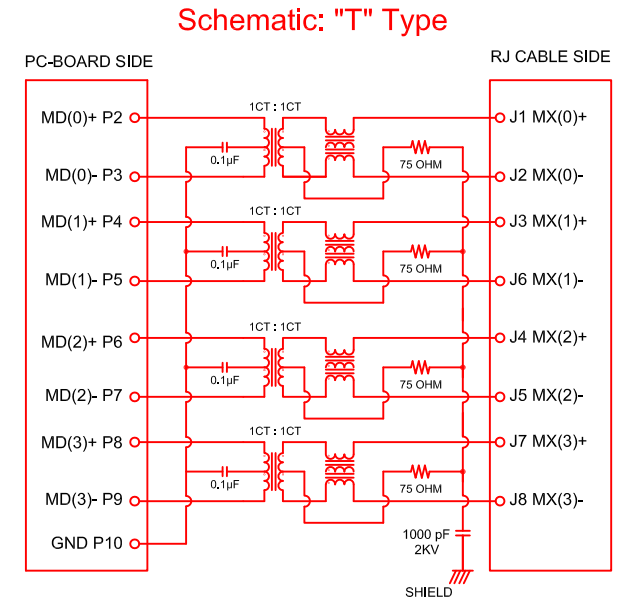
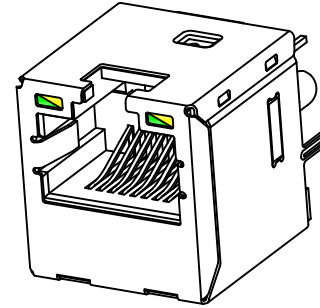
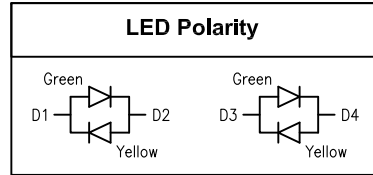
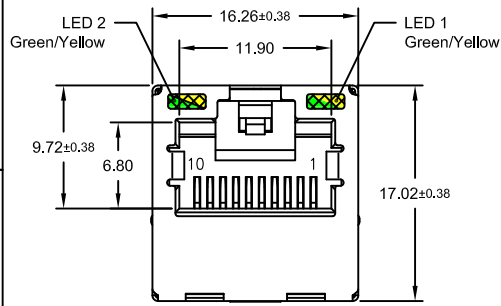
- MATERIAL:  
Housing - LCP UL 94V-0 (black)  
Contact - 0.25mm PHBz; Sn/Au plated  
Shield - Brass; Ni plated
- OPERATING LIFE: 750 Cycles min.
- TEMPERATURE RANGE:  
Storage -40°C to +125°C  
Operating -40°C to +85°C
- Cavity comply with FCC Rules and Regulations Part 68, Subpart F



UNIT	SCALE	GENERAL TOLERANCE	DRAWN	DATE	DWG. NO.	SHEET 1/1
mm	Free	X.° ± .X° ±	Sword	17.05.2011	1442600	
		X. ± .X0	CHECK	21.01.2015	Series NO.	REV. F
		XX. ± .XX ± 0.25	APPROVE	21.01.2015	MJT-108-M50SU-9xKxCs	
		XXX. ± .XXX ±	Hogi			

**RJ 50 PCB JACK <10P8C>**  
**TOP ENTRY TYPE FULLY SHIELDED**  
**Schematic "U" Type 10/100/1000 Mbps 8 core TX Filtered**  
**LED #2 = geen/yellow #1 = green/yellow**

REV.	DESCRIPTION	DATE	DRAWN
A	New	28.10.2013	Ronny



**SPECIFICATION**

- MATERIAL:**  
Housing - LCP UL 94V-0 (black)  
Contact - 0.25mm PhBz; Sn/Au plated  
Shield - Brass; Ni plated
- OPERATING LIFE:** 750 Cycles min.
- TEMPERATURE RANGE:**  
Storage -40°C to +125°C  
Operating -40°C to +85°C
- Cavity conform to FCC Rules and Registration PAR68, Subparts F

- ELECTRICAL CHARACTERISTICS [Test Notes: (25°C ±5°C)]**
- TR:** (100KHz 0.1V):  
Pins: (P2,P3):(J1,J2)=1:1±3% Pins: (P4,P5):(J3,J6)=1:1±3%  
Pins: (P6,P7):(J4,J5)=1:1±3% Pins: (P8,P9):(J7,J8)=1:1±3%
  - LX:** (100KHz 100mV 8mA DC Bias)  
Pins: (P2,P3),(P4,P5),(P6,P7),(P8,P9)=350µH min.
  - DCR:**  
Pins: (J1-J2),(J3-J6),(J4-J5),(J7-J8)=1.2Ω max.
  - HIPOT:**  
Pins: (P2,P3)to(J1,J2),(P4,P5)to(J3,J6)=1500V AC for 60 Sec.  
Pins: (P6,P7)to(J4,J5),(P8,P9)to(J7,J8)=1500V AC for 60 Sec.
  - INSERTION LOSS:**  
-0.8dB max. at 0.3MHz to 100MHz  
-1.2dB max. at 100MHz to 120MHz
  - RETURN LOSS (100Ω ±5Ω):**  
-18dB min. at 0.5MHz to 40MHz;  
-12+20Log(f/80MHz)dB min. at 0.1MHz to 100MHz
  - CROSS TALK:**  
-33+20Log(f/100MHz)dB min. at 0.1MHz to 100MHz
  - COMMON TO DIFFERENTIAL MODE REJECTION:**  
-35dB min. at 300KHz to 100MHz
  - COMMON TO COMMON MODE REJECTION:**  
-30dB min. at 300KHz to 100MHz

PART NUMBER	GOLD PLATING CONTACT AREA
MJT-108-M50ST-96KACS	6µ"
MJT-108-M50ST-97KACS	15µ"
MJT-108-M50ST-98KACS	30µ"
MJT-108-M50ST-9HKACS	50µ"

Recommended PCB Hole Layout Top View



UNIT	GENERAL TOLERANCE	DRAWN	DATE	DWG. NO.	SHEET 1/1
mm	X° ± 3° X° ±	Ronny	28.10.2013	1442601	
SCALE	X. ± .X0 ± 0.38	CHECK	DATE	Series NO.	REV. A
Free	XX. ± .XX ± 0.25	Hogi	28.10.2013		
	XXX. ± .XXX ±	APPROVE	DATE	MJT-108-M50ST-9xKxCS	
		Hogi	28.10.2013		

**RJ 50 PCB JACK <10P8C>**  
**TOP ENTRY TYPE FULLY SHIELDED**  
 10/100/1000 Mbps 8 core TX Filtered (LAN Magnetics)  
 with LED #2 = geen/yellow #1 = green/yellow