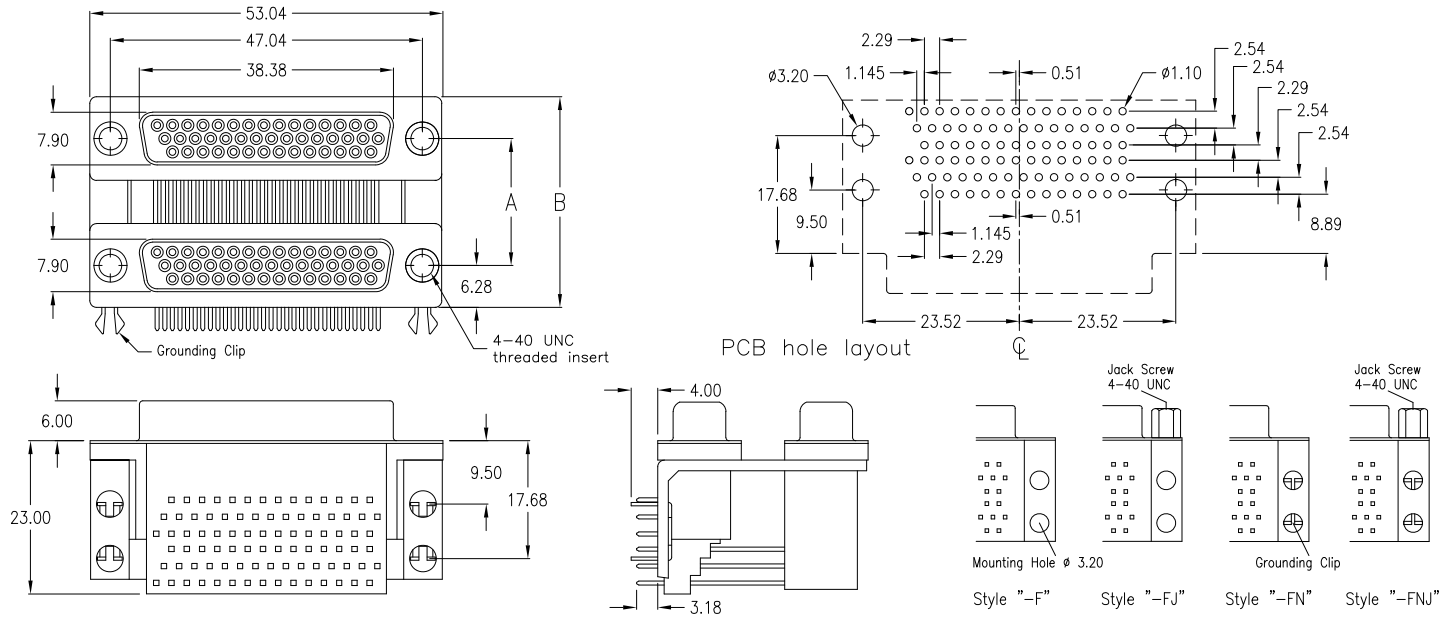
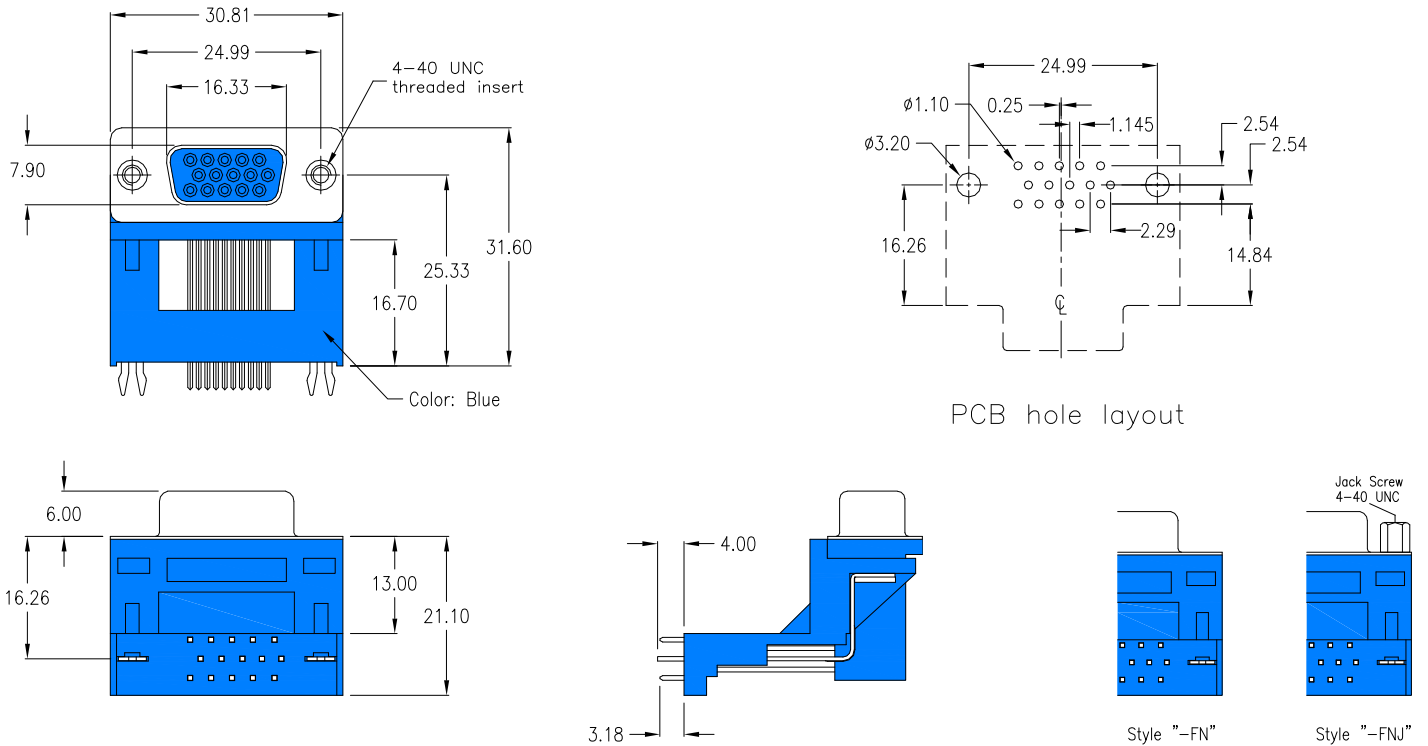


44-pin HD female / 44-pin HD female



without grounding clips just 4 mounting holes	without grounding clips, just 4 mounting holes; 4 jack screws 4-40 UNC mounted	with 4 grounding clips (as above drawing)	with 4 grounding clips; 4 jack screws 4-40 UNC mounted	Distance Dimensions (mm)	
SDD-H44H44-4-95-F	SDD-H44H44-4-95-FJ	SDD-H44H44-4-95-FN	SDD-H44H44-4-95FNJ	„A“ = 19.05	„B“ = 31.60
SDD-H44H44-5-95-F	SDD-H44H44-5-95-FJ	SDD-H44H44-5-95-FN	SDD-H44H44-5-95FNJ	„A“ = 15.88	„B“ = 28.42

15-pin HD female raised



with 2 grounding clips; w/o jack screws <i>Standard</i> (as above drawing)	with 2 grounding clips; 2 jack screws 4-40 UNC mounted <i>Option</i>
SDD-H1500-2-95-FN	SDD-H1500-2-95-FNJ



mechanical data

Mating force per contact	≤ 3,4 N
Unmating force per contact	≥ 0,2 N
Temperature range	-55° C to +105° C
Processing temperature wave solder (solder bath)	+250°C +0/-5°C for 10sec.
Processing temperature SMT and “pin in paste”	+250°C +0/-5°C for 10sec.
Moisture absorption from air 50% rh	0,10%
IDC Connector types accept AWG 26 or AWG 28 standard wire	

materials and plating (RoHS compliant)

Insulator for wave solder technology, standard black - PC 99 colourful insulator	thermoplastic glassfilled UL 94V – 0 Yellowish brown - Pantone # 131C 15-pos. female Burgundy - Pantone # 235C 25-pos. female Teal - Pantone # 322C 9-pos. male Blue - Pantone # 661C HD 15-pos.
female	
Insulator for SMT and “Pin-In-Paste”	Nylon UL 94V-0
Shell	Steel, Ni plated
Bracket	Brass, tin plated
Male contact	Copper Alloy (Standard; others on request)
- plating	-95 = solder side Sn; contact side Au over Ni -55 = solder and contact side Au over Ni
Female contact	Copper Alloy (Standard; others on request)
- plating	-95 = solder side Sn; contact side Au over Ni -55 = solder and contact side Au over Ni -NN = Ni
D-Sub Accessories (page 70) plating	

electrical data

max. Current rating	5 A/25°C 3 A/70°C (High Density types 3A / IDC types 1A)
Operating voltage	250 V
Test voltage between contacts	1000 V / 50/60 Hz / 1 Minute
Test voltage between shell and contacts	1000 V / 50/60 Hz / 1 Minute
Resistance between mated contacts	< 30 m Ω
Insulation resistance	≥ 1000 M Ω at 500V DC
Dielectric strength	1000 V AC min. for 1 Minute
Volume resistivity	10 ¹⁶ Ω cm (ASTM-D 257)

available performance classes

E-tec D-Sub connectors comply with Performance Class 3 (min. 50 contact cycles).
Please contact E-tec first for availability of Performance Class 2 (min. 200 contact cycles) and 1 (min. 500 contact cycles)

D-Sub with Filter (ferrite)

Frequency range	10 - 300 MHz
Impedance	5 MHz - 15 Ω 25 MHz - 30 Ω 100 MHz - 50 Ω 300 MHz - 75 Ω

