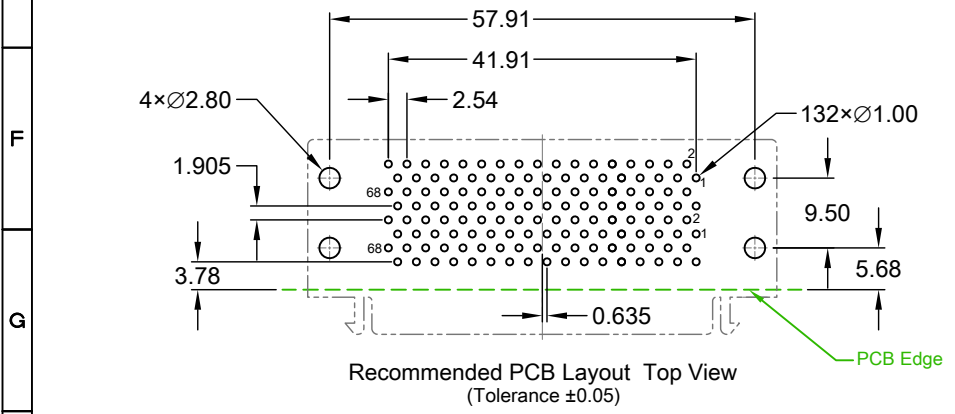
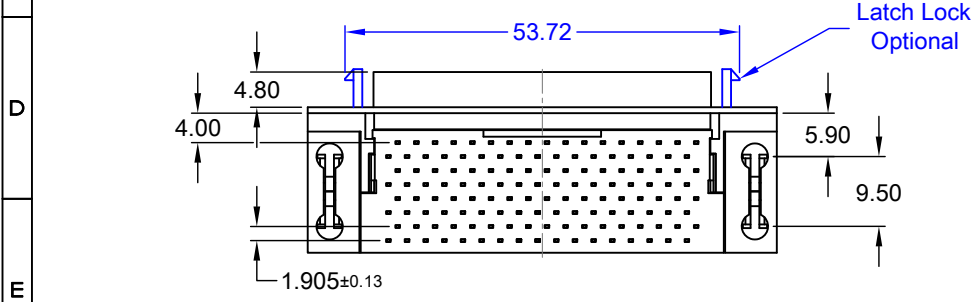
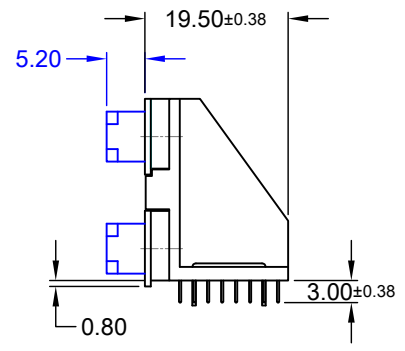
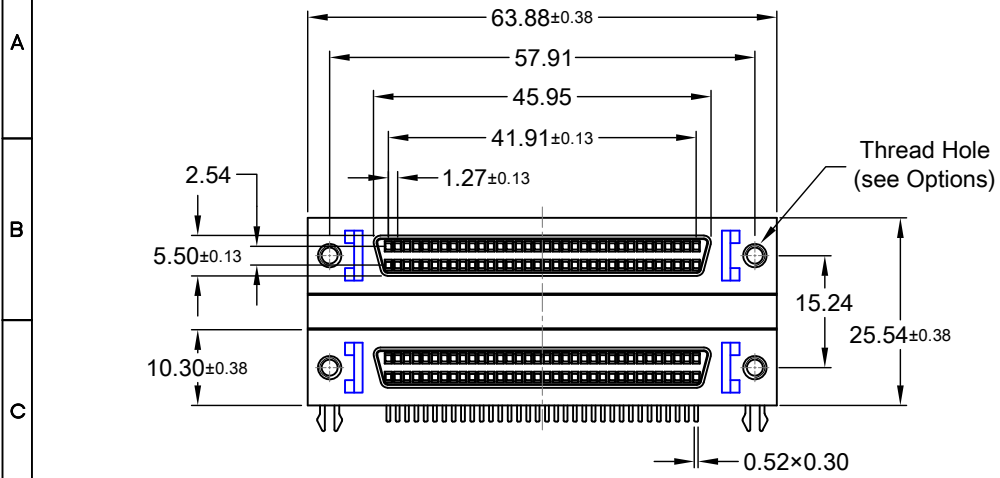


REV.	DESCRIPTION	DATE	DRAWN
A	New	14.06.2022	Ryan



Order Code
CSD-6868-6-95-FVx-x

- Thread Options**
0 = UNC #4-40
1 = UNC #2-56
- Latch Lock Options**
2 = with Latch Lock
3 = without Latch Lock



Specifications

Electrical
 Current rating: 1A per contact
 Insulation resistance: 1000MΩ min.
 Contact resistance:
 35mΩ max. (Upper)
 20mΩ max. (Lower)
 Withstanding voltage: 500V AC

Material

Contact: Phosphor bronze
 Plating: Sn on solder over Ni,
 Au flash on contact area over Ni
 Insulator: PBT (black) UL 94V-0
 Shell & Bracket: Zinc alloy, Ni plated
 Boardlock: Copper alloy, Sn plated
 Operating temperature: -55°C to +85°C

E-tec 2022 © - all rights reserved www.e-tec.asia



UNIT	SCALE	GENERAL TOLERANCE	DRAWN	DATE	DWG. NO.	SHEET 1/1
mm	Free	X.° ±	Ryan	14.06.2022	CSD-6868-6-95-FV	REV. A
		.X° ±	Ronny	14.06.2022	SERIES NO.	
		.XX° ±	Fagi	14.06.2022	CSD-6868-6-95-FVx-x	
		.XXX° ±				

SCSI II Connector
 68-Pin Female - Dual Port
 1.27mm Pitch - THT - Right Angle