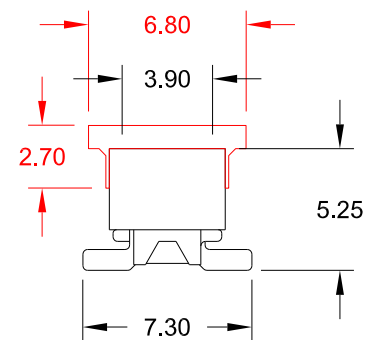
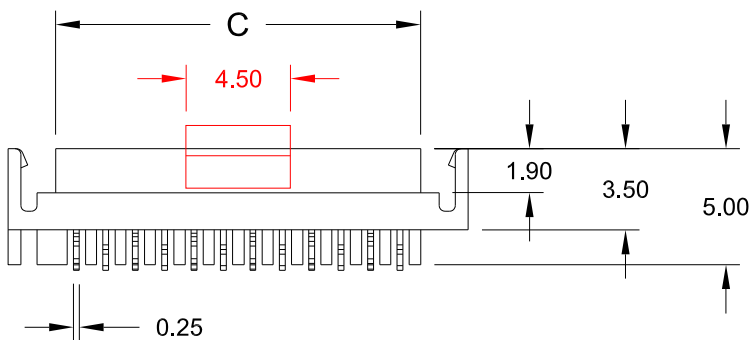
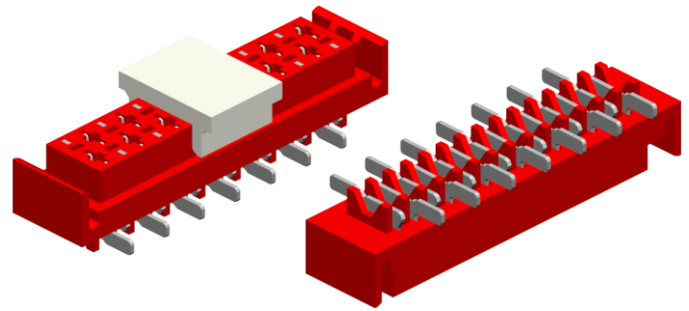
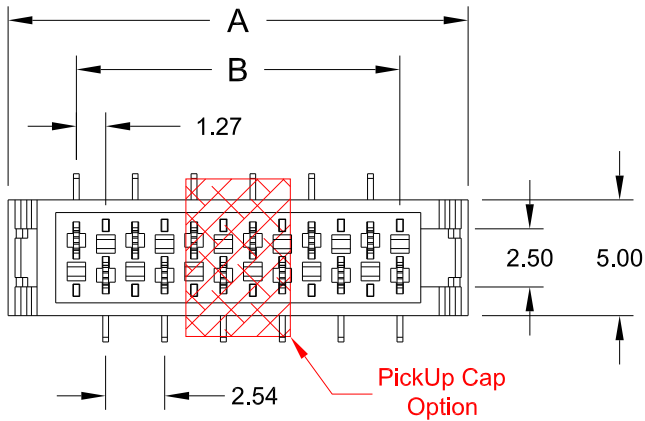


Mini - Mate Connector

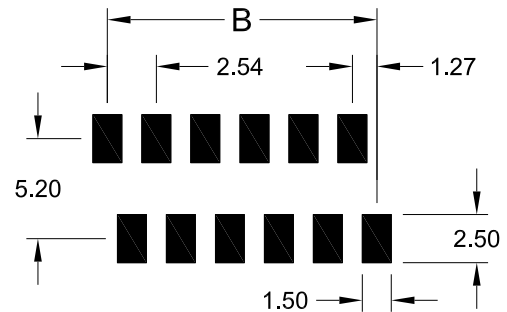
- SMT - female Latch Shape



Specifications

Current rating	1.5 A max.
Voltage rating	230 V AC/DC
Withstanding voltage	500 V AC
Contact resistance	20 mΩ max.
Insulation resistance	1000 MΩ min.
Operating temperature	-55°C to +105°C
Processing temperature	+260°C +0/-5°C for 5 Sec.
Insulator material (RoHS compliant)	PA46 (red) UL 94 V-0
Contact material (RoHS compliant)	Phosphor Bronze

PCB Surface Mount Layout



Dimensions (mm)

Contacts	DIM "A"	DIM "B"	DIM "C"	Contacts	DIM "A"	DIM "B"	DIM "C"	Contacts	DIM "A"	DIM "B"	DIM "C"
004	9.70	3.81	5.60	012	19.86	13.97	15.76	020	30.02	24.13	25.92
006	12.24	6.35	8.14	014	22.40	16.51	18.30				
008	14.78	8.89	10.68	016	24.94	19.05	20.84				
010	17.32	11.43	13.22	018	27.48	21.59	23.38				

How to order

MMF - xxx - HL50 - 99/X

