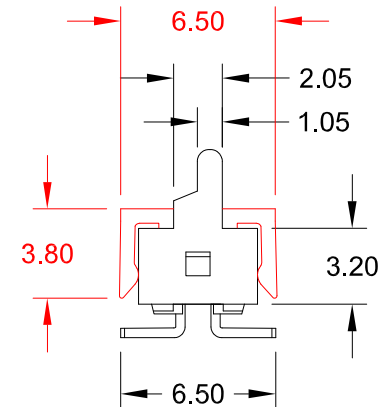
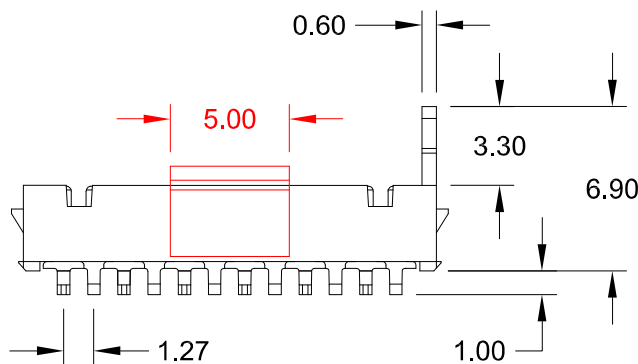
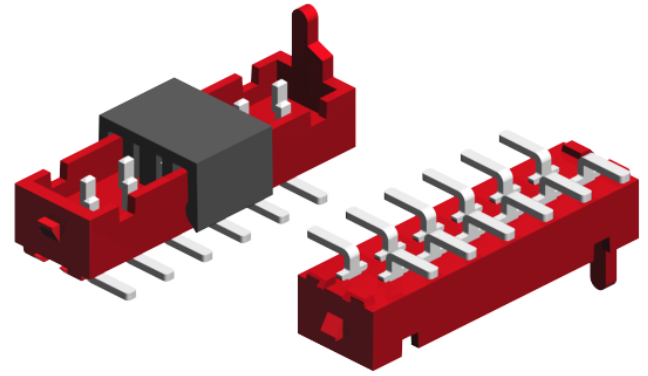
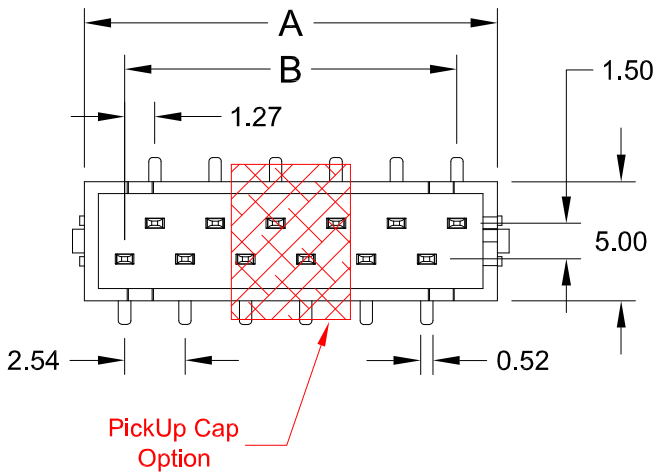


Mini - Mate Connector

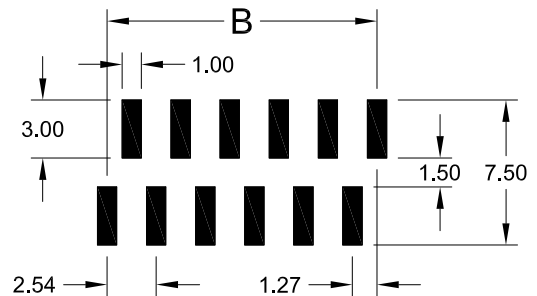
- SMT - shrouded male



Specifications

| | |
|------------------------|---------------------------------------|
| Current rating | 1.5 A max. |
| Voltage rating | 230 V AC/DC |
| Withstanding voltage | 500 V AC |
| Contact resistance | 20 mΩ max. |
| Insulation resistance | 1000 MΩ min. |
| Operating temperature | - 55°C to +105°C |
| Processing temperature | +260°C +0/-5°C for 5 Sec. |
| Insulator material | (RoHS compliant) PA46 (red) UL 94 V-0 |
| Contact material | (RoHS compliant) Phosphor Bronze |

PCB Surface Mount Layout



Dimensions (mm)

| Contacts | DIM "A" | DIM "B" | Contacts | DIM "A" | DIM "B" | Contacts | DIM "A" | DIM "B" |
|----------|---------|---------|----------|---------|---------|----------|---------|---------|
| 004 | 7.20 | 3.81 | 012 | 17.36 | 13.97 | 020 | 27.52 | 24.13 |
| 006 | 9.74 | 6.35 | 014 | 19.90 | 16.51 | | | |
| 008 | 12.28 | 8.89 | 016 | 22.44 | 19.05 | | | |
| 010 | 14.82 | 11.43 | 018 | 24.98 | 21.59 | | | |

How to order

MMM - xxx - HS50 - 99/X

| Nbr of contacts |
|---|
| 004; 006; 008; 010 012; 014; 016; 018 020 |

| Plating |
|--|
| 99 = Tin (leadfree) other platings on request |

| Option |
|--|
| A = Tube packing; with "PickUp Cap" |
| T = Tube packing; without "PickUp Cap" |
| B = Reel packing; with "PickUp Cap" |
| R = Reel packing; without "PickUp Cap" |