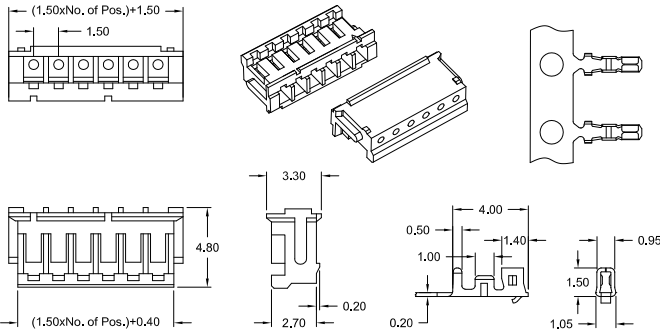


# 1.50mm Wire to Board Crimp Contact Connectors



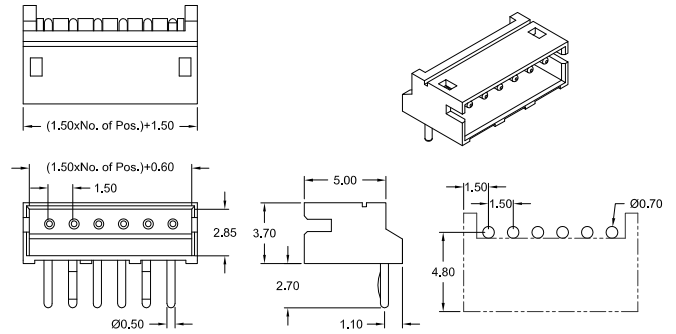
## K - Type Single Row

### Female Plug



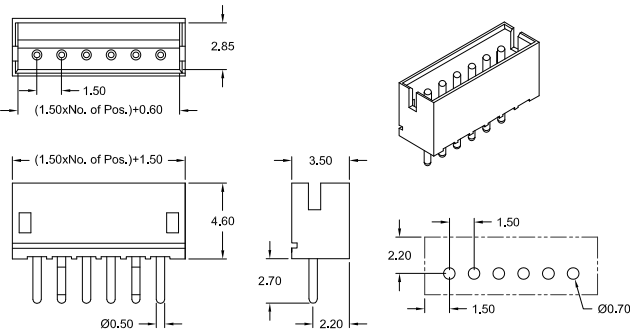
Order Code Housing: **CRF-1xx-K150** Contact: **CRF-999/35-K150-99**

### -THT- Male Header right angle (side entry)



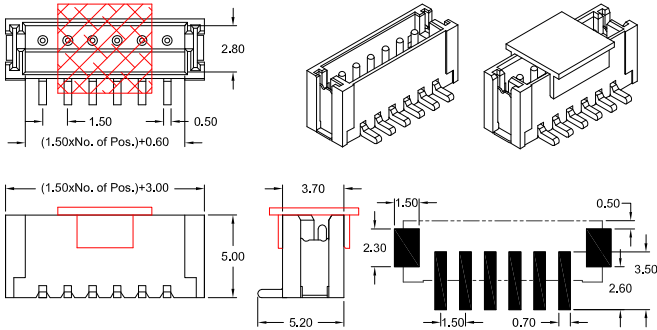
Order Code: **CRR-1xx-K150-99**

### -THT- Male Header straight (top entry)



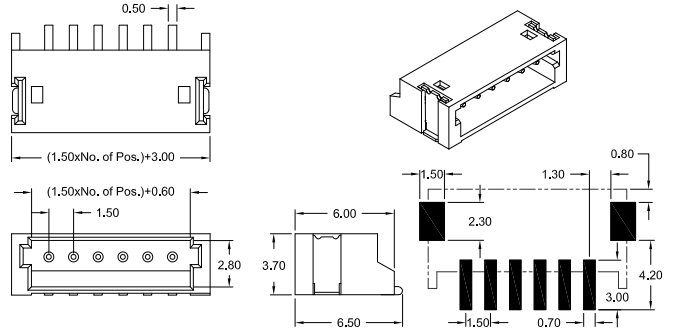
Order Code: **CRS-1xx-K150-99**

### -SMT- Male Header right angle (side entry)



Order Code: **CRS-1xx-SK150-99/B**

### -SMT- Male Header right angle (side entry)



Order Code: **CRR-1xx-SK150-99/R**

### Specifications

Current rating	1 A	Voltage rating	50 V AC max.	Contact material	Brass
Insulation resistance	500 MΩ min.	Withstanding voltage	500 V AC	Insulator material K150	PA66 UL 94V-0
Contact resistance	20 mΩ max.	Operating temperature	-25°C to +85°C	Insulator material SK150	PA9T UL 94V-0
		SMT Processing temp.	+250°C for 5 sec.	PCB thickness	1.60 mm

### How to order

**CR X - x xx - X 150 - 99 / X**

Type	Rows	Nbr of Contacts	Execution	Plating	Packing
<b>F</b> = Female <b>R</b> = R/A Male <b>S</b> = Straight Male	<b>1</b> = single row  <i>if Crimp Contact:</i> <b>9</b>	<b>02</b> to <b>13</b>  <i>if Crimp Contact:</i> (MOQ: 10K / reel) <b>99/35</b> = AWG 28~32	<b>K</b> = THT & Plug <b>SK</b> = SMT  for details see above dwg's	<b>99</b> = Tin (leadfree)  other platings on request	<b>R</b> = Reel <b>B</b> = Reel with PickUp Cap