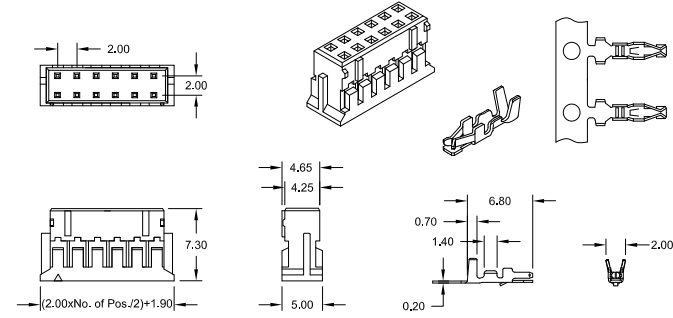


2.00mm Wire to Board Crimp Contact Connectors



D - Type Dual Row

Female Plug

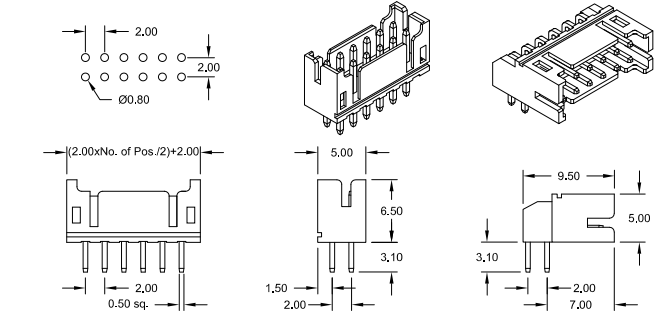


Order Code Housing: CRF-2xx-D200

Contact: CRF-999/27-DP200-99

-THT- Male Header

straight (top entry) & right angle (side entry)

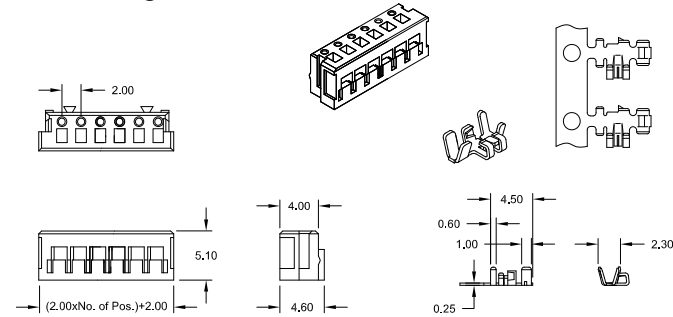


Order Code straight: CRS-2xx-D200-99

right angle: CRR-2xx-D200-99

C - Type Single Row

Female Plug

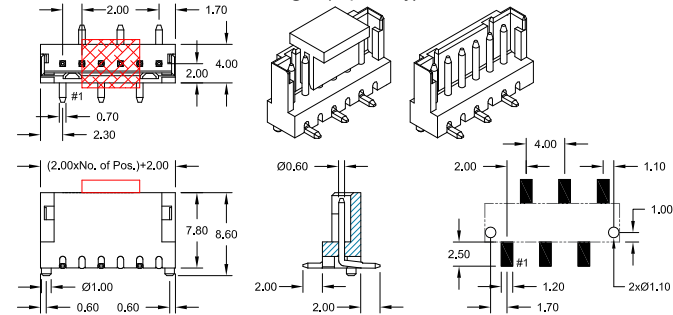


Order Code housing: CRF-1xx-C200

contact: CRF-999/29-C200-99

-SMT- Male Header

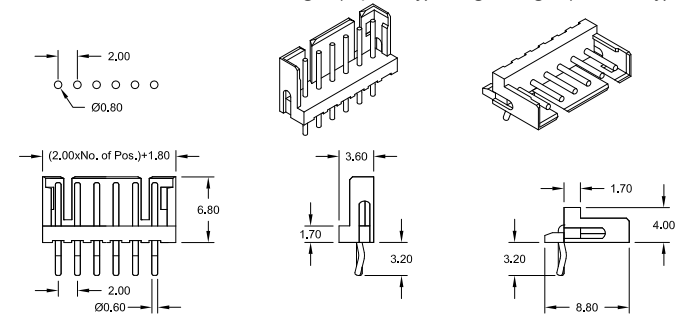
straight (top entry)



Order Code straight: CRS-1xx-SC200-99/X

-THT- Male Header

straight (top entry) & right angle (side entry)



Order Code straight: CRS-1xx-C200-99

right angle: CRR-1xx-C200-99

Specifications

Current rating	2 A	Withstanding voltage	800 V AC	Contact material	Brass; DP = PhBz
Insulation resistance	1000 MΩ min.	Operating temperature	-25°C to +85°C	Insulator material	PA66 UL 94V-0
Contact resistance	20 mΩ max.	SC200 Type	-25°C to +105°C	SC200 Type	PA9T UL 94V-0
Voltage rating	100 V AC max.	SMT Processing temp.	+250°C for 5 sec.	PCB thickness	1.60 mm

How to order

CR X - x xx - X 200 - 99 / X

Type	Rows	Nbr of Contacts	Execution	Plating	Packing
F = Female R = R/A Male S = Straight Male	1 = single row 2 = dual row <i>if Crimp Contact:</i> 9	04 - 40 = D - Type 02 - 16 = C - Type 03 - 06 = SC - Type <i>if Crimp Contact: (MOQ: 10K / reel)</i> 99/27 = AWG 22~28 99/29 = AWG 24~28	D = THT & Plug DP <i>see Contact Material</i> C = THT & Plug SC = SMT for details see above dwg's	99 = Tin <i>(leadfree)</i> other platings on request	A = Tube with Pickup Cap B = Reel with Pickup Cap