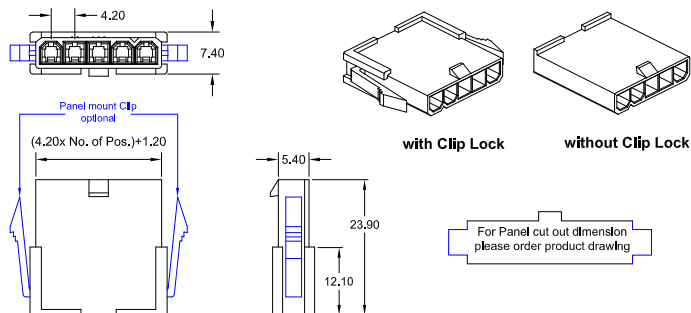


Crimp Contact "Power Connectors"

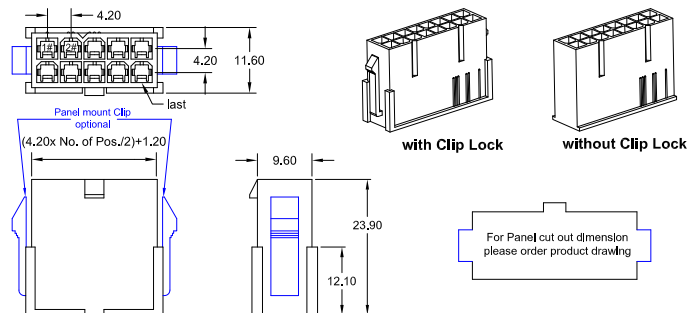
P - Type Male Plug Single & Dual Row

Single Row Housing with & without -Panel Clip lock-mate with PCF-1xx-P420



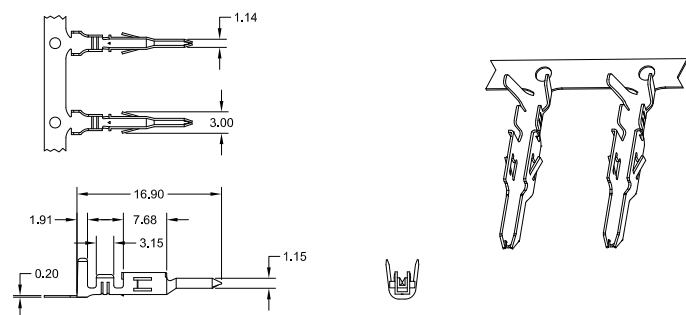
Order Code with Panel Clip lock: **PCM-1xx-P420**
 Order Code without Panel Clip lock: **PCM-1xx-PN420**

Dual Row Housing with & without -Panel Clip lock-mate with PCF-2xx-P420



Order Code with Panel Clip lock: **PCM-2xx-P420**
 Order Code without Panel Clip lock: **PCM-2xx-PN420**

Male Contact



Order Code: **PCM-999/xxX-P420-99**

Current rating @30°C:
 (dependant on number of contacts and wire size)

Wire Size AWG	Contacts			
	02 ~ 03	04 ~ 06	07 ~ 10	11 ~ 24
#16	9A	8A	7A	6A
#18	9A	8A	7A	6A
#20	7A	6A	5A	5A
#22	5A	4A	4A	4A
#24	4A	3A	3A	3A
#26	3A	2A	2A	2A
#28	2A	1A	1A	1A

Specifications

Current rating	pls. see box above	Voltage rating	600 V AC max.	Contact material	Copper alloy
Insulation resistance	1000 MΩ min.	Withstanding voltage	1500 V AC	Insulator material	PA66 UL 94V-2
Contact resistance	20 mΩ max.	Operating temp.	-40°C to +105°C	PCB Thickness	2.00 mm max.

How to order

PCM - x xx - X 420 - 99

Rows

1 = single row
2 = dual row

if Crimp Contact:

9

Nbr of Contacts

02 - 12 = P & PN – Type single row
02 - 24 = P & PN – Type dual row

if Crimp Contact: (MOQ: 5K / reel)
if Brass (standard):
99/27 = for AWG 22~28
99/20 = for AWG 18~24
99/14 = for AWG 16
if Phosphor Bronze (on request):
99/27P = for AWG 22~28
99/20P = for AWG 18~24
99/14P = for AWG 16

Execution

P = with panel Clip lock
PN = without panel Clip lock

for details see above dwg's

Plating

99 = Tin (leadfree)

other platings on request