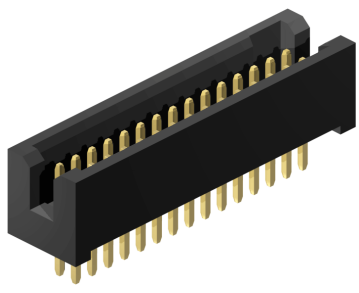
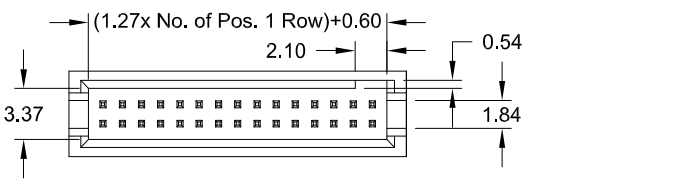
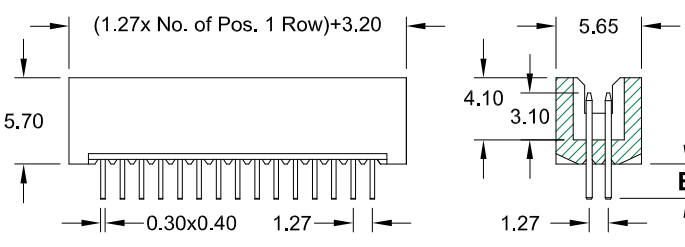
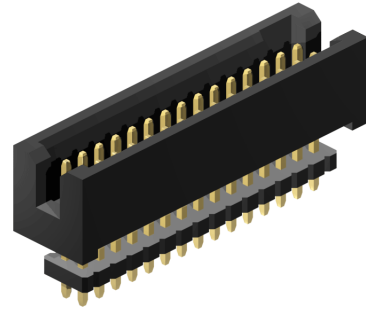
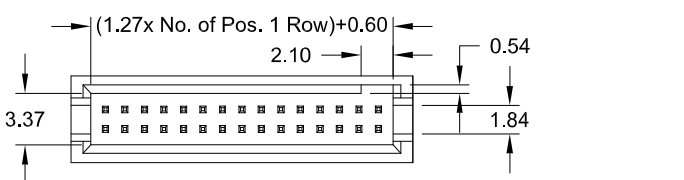
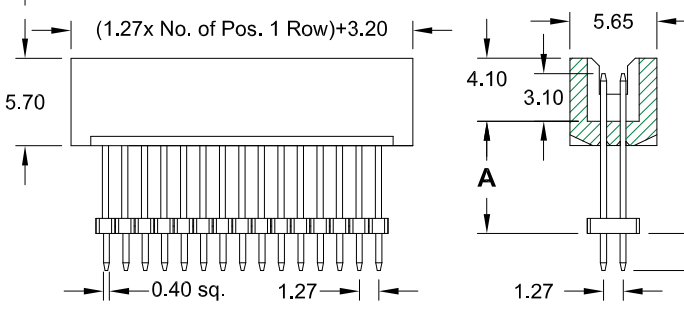
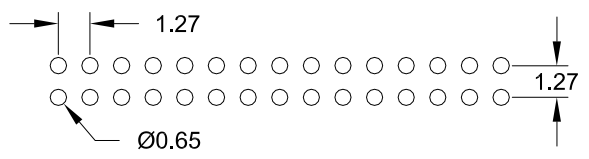


1.27mm pitch Box Header  
 - THT - straight - raised



<p>Style <b>S535</b></p>   	<p>Style <b>P535</b></p>   														
<p style="text-align: center;"><b>Specifications</b></p> <table style="width: 100%; border-collapse: collapse;"> <tr> <td style="width: 30%;">Current rating</td> <td>1 A</td> </tr> <tr> <td>Insulation resistance</td> <td>1000 MΩ min.</td> </tr> <tr> <td>Contact resistance</td> <td>20mΩ max.</td> </tr> <tr> <td>Withstanding voltage</td> <td>300 V AC</td> </tr> <tr> <td>Operating temperature</td> <td>- 40°C to +105°C</td> </tr> <tr> <td>Contact material</td> <td>(RoHS compliant) S535: PhBz P535: Brass</td> </tr> <tr> <td>Insulator material</td> <td>(RoHS compliant) LCP UL 94 V-0</td> </tr> </table>	Current rating	1 A	Insulation resistance	1000 MΩ min.	Contact resistance	20mΩ max.	Withstanding voltage	300 V AC	Operating temperature	- 40°C to +105°C	Contact material	(RoHS compliant) S535: PhBz P535: Brass	Insulator material	(RoHS compliant) LCP UL 94 V-0	<p style="text-align: center;"><b>PCB Hole Layout</b></p> 
Current rating	1 A														
Insulation resistance	1000 MΩ min.														
Contact resistance	20mΩ max.														
Withstanding voltage	300 V AC														
Operating temperature	- 40°C to +105°C														
Contact material	(RoHS compliant) S535: PhBz P535: Brass														
Insulator material	(RoHS compliant) LCP UL 94 V-0														

**Application and Features**

Mating with 1.27mm pitch Female Headers BS2-xxx-H45B- & -H45P-55/11 (page 33)  
 as “board to board” connection.

No ejection latches for space saving

How to order

SLS - xxx - Xxxx - 55/11

<b>Nbr of pins</b>	<b>Style</b>	<b>DIM “A”</b>	<b>DIM “B”</b>	<b>Plating</b>
<b>010 to 100</b>	straight standard <b>S535</b>		2.40 mm	<b>55</b> = Gold
	straight raised <b>P535/0</b> <b>P535/1</b>	16.00 mm 12.40 mm	2.40 mm 2.40 mm	other platings on request
	other dimensions on request			