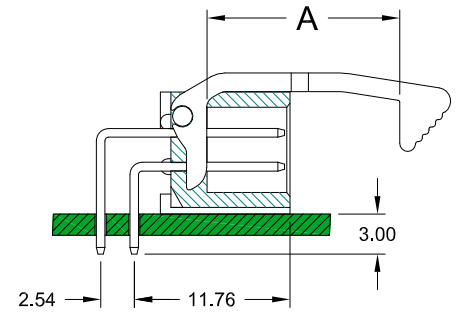
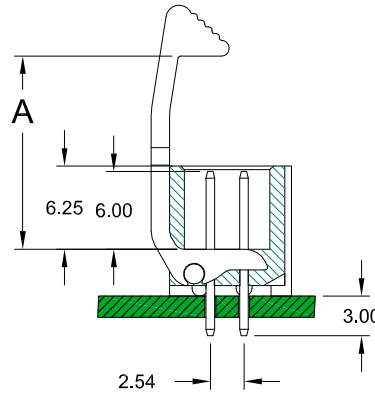
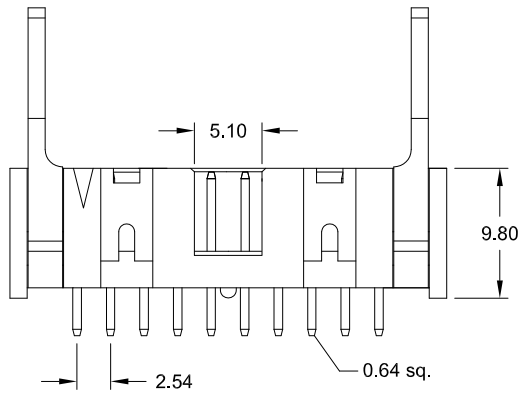
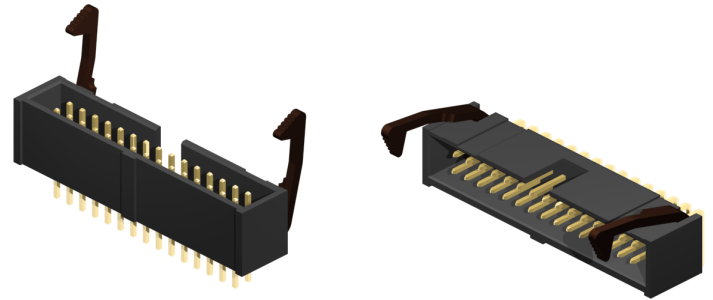
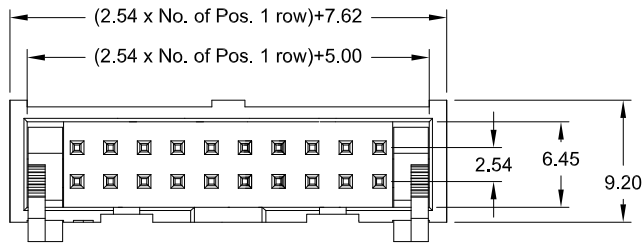


2.54mm pitch Box Header
 - THT - with metal ejection latches



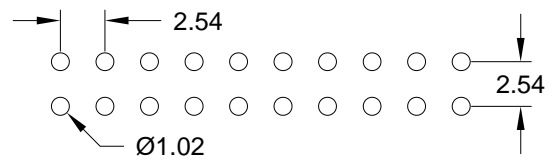
Style **S103**

R103

Application and Features

- Mating devices for Female Headers IDC Type
- Reliable flat cable to PCB connection
- Ejection latches for easy handling

PCB Hole Layout



Specifications

| | |
|-----------------------|--------------|
| Current rating | 3 A |
| Insulation resistance | 1000 MΩ min. |
| Withstanding voltage | 1000 V AC |

| | |
|-----------------------|--------------------------------|
| Operating temperature | - 40°C to +105°C |
| Contact material | (RoHS compliant) Copper alloy |
| Insulator material | (RoHS compliant) PBT UL 94 V-0 |
| | Standard: black |

How to order

SLS - xxx - X 103 - 55 / X

| Nbr of pins |
|---------------|
| 006; 008; 010 |
| 014; 016; 020 |
| 026; 030; 034 |
| 040; 050; 060 |
| 064 |

| Style |
|------------------------|
| S = straight |
| R = right angle |

| Plating |
|---------------------------|
| 55 = Gold |
| other platings on request |

| Latch Style |
|--|
| S = short latch DIM "A" = 10.65 mm |
| L = long latch DIM "A" = 14.55 mm |