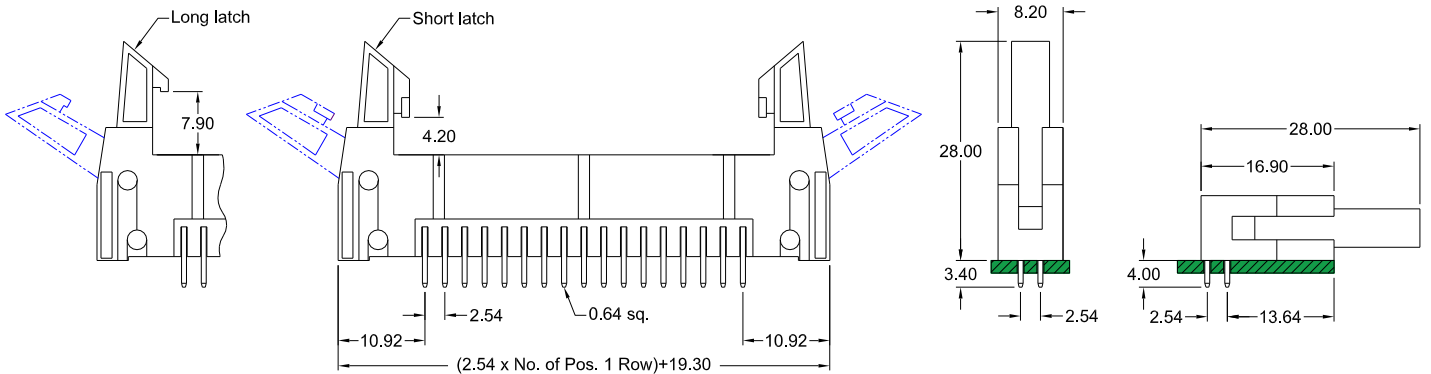
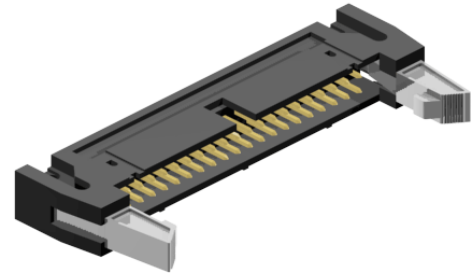
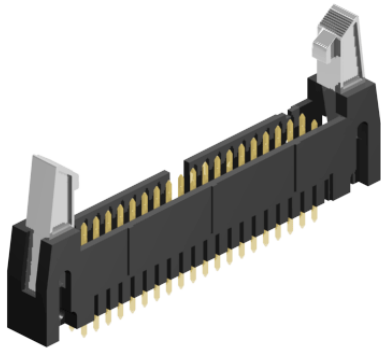


2.54mm pitch

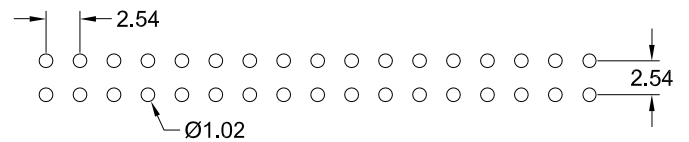
- THT - DIN Header (DIN 41651)



Application and Features

- Provides fast connection / disconnection of IDC connectors.
- Assures reliable flat cable to PC - board assembly.
- Optional latching features available.
- SMT & Press-Fit Type available on request.

PCB Hole Layout



Specifications

| | |
|-----------------------|--------------|
| Current rating | 3 A |
| Insulation resistance | 1000 MΩ min. |
| Withstanding voltage | 500 V AC |

| | |
|-----------------------|---|
| Operating temperature | - 40°C to +105°C |
| Contact material | (RoHS compliant) Brass |
| Insulator material | (RoHS compliant) PBT UL 94 V-0 black colour |

How to order

DH X - xxx - X 100 - 55

