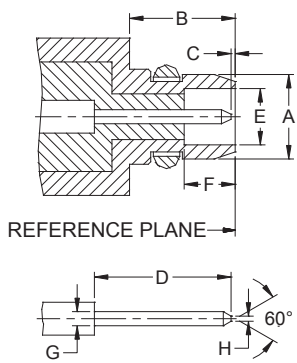


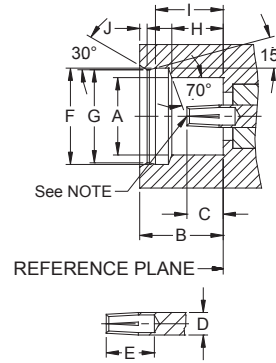
# RF Connectors MMCX Series



MMCX series with 50Ω impedance offer the smallest dimensions for high density applications. The MMCX connectors work a frequency range up to 6 GHz and they can be offered in thru-hole and surface mount technology for flexible and semi-rigid coaxial cable interconnection systems.



Dimension	PLUG Millimeters	
	Minimum	Maximum
A	--	2.40
B	2.70	--
C	0.00	0.25
D	--	3.15
E	1.58	1.62
F	1.45	--
G	0.38	0.42
H	--	0.20



Dimension	JACK Millimeters	
	Minimum	Maximum
A	2.41	--
B	2.60	--
C	0.90	1.20
D	0.68	0.72
E	1.40	--
F	3.00	3.04
G	2.87	2.90
H	1.57	1.63
I	2.30	2.34
J	--	0.23

PLUG

JACK

**NOTE**

In order to meet the VSWR and CR values as specified, the inner hole diameter needs to be mated with a 0.38/0.42mm dia. pin.

**Electrical**

Impedance	50 Ω
Frequency Range	0 - 6 GHz
Working Voltage	170 V rms max.
Dielectric Withstanding Voltage	500 V rms min.
VSWR	Straight Right Angle
Contact Resistance	Center Contact Outer Contact
Insulator Resistance	1000 MΩ min.

**Material**

Parts Name	Material	Finish
Body, Metal Parts	Brass per QQ-B-626	Gold 0.07μm (3 μ")
Center Contacts	Male: Brass per QQ-B-626	Gold 0.75μm (30 μ")
	Female: Beryllium copper per QQ-C-530	Gold 0.75μm (30 μ")
Insulators	Teflon	None
Crimp Ferrules	Annealed Brass	Gold 0.07μm (3 μ")

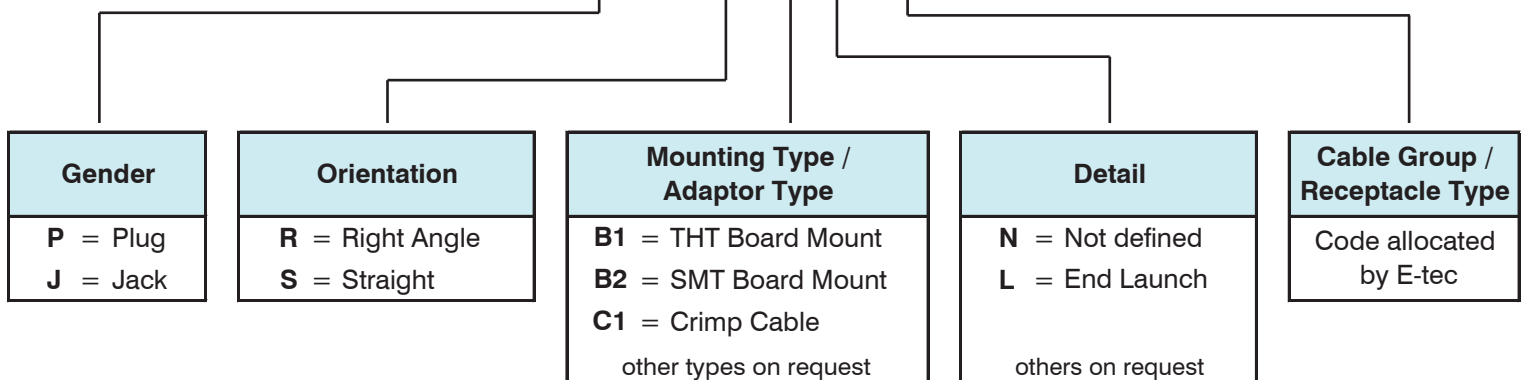
NOTE: Other materials and platings are available on request.

**Mechanical & Environmental**

Engagement Force	15 N max.
Disengagement Force	6~15 N max.
Contact Retention	11 N min.
Durability(Mating)	500 cycles min.
Temperature Range	-65°C to +155°C
Vibration	3 cycle, 3 opposite directions, 10-150 Hz, 10-60 Hz:0.75mm/.03", 60-150 Hz 10G
Temperature Shock	MIL-STD-202 Method 107
Humidity	MIL-STD-202 Method 103, Condition. B.
Mechanical Shock	MIL-STD-202 Method 213, Condition. B.

How to order

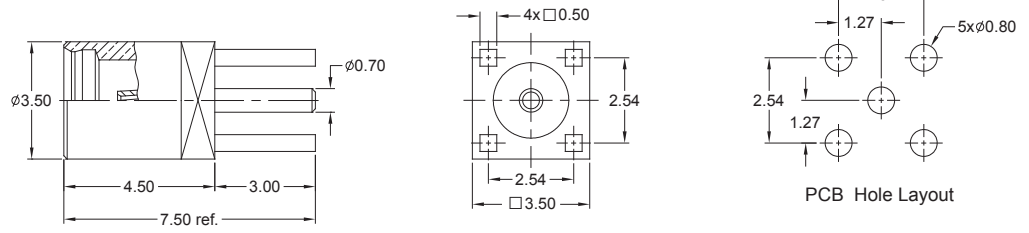
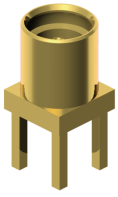
RF X - MM X - XX X 5 xx - 58



# RF Connectors MMCX Series

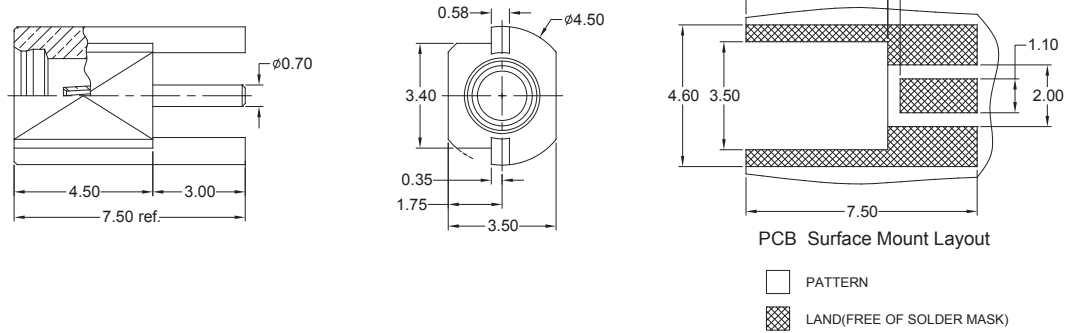
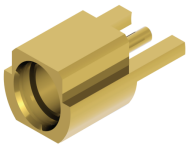


## STRAIGHT THT JACK



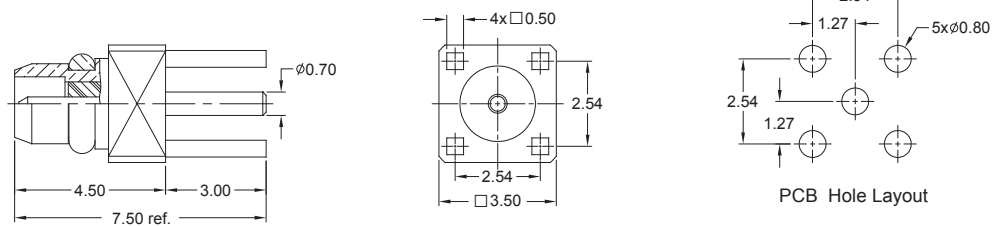
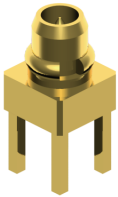
Order Code  
RFJ-MMS-B1N592-58

## R/A EMBEDDED SMT JACK



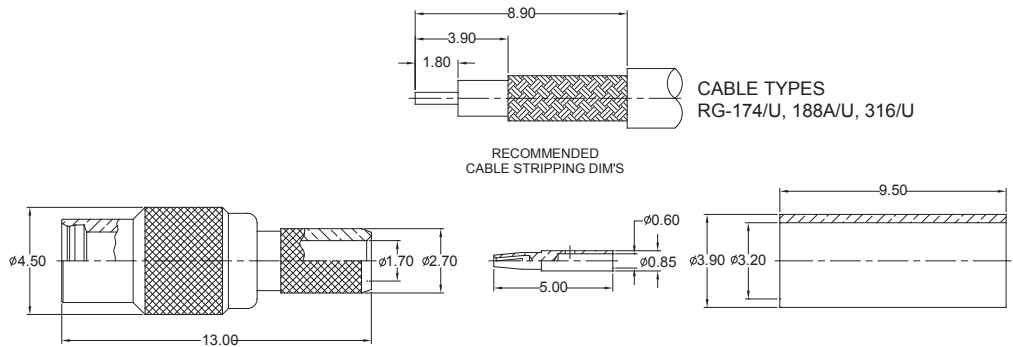
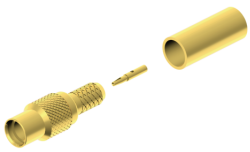
Order Code  
RFJ-MMS-B2L592-58

## STRAIGHT THT PLUG



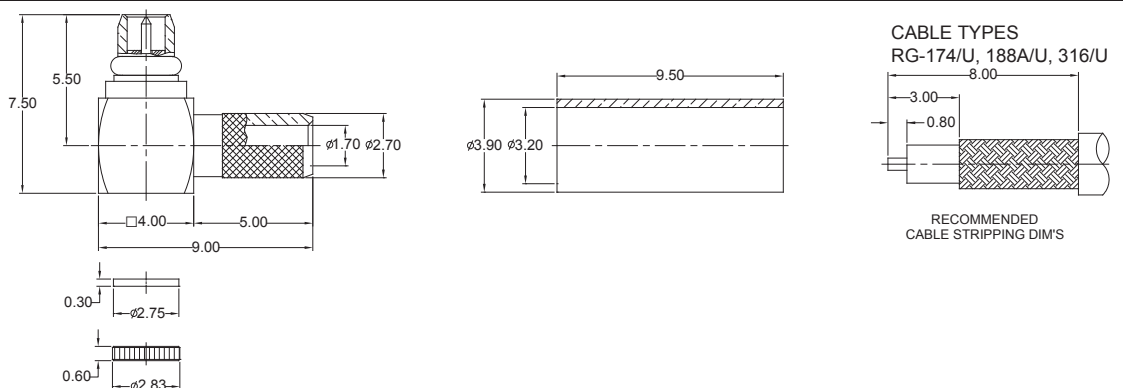
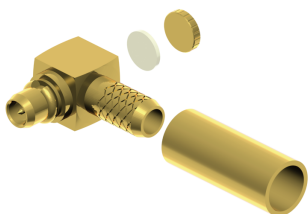
Order Code  
RFP-MMS-B1N592-58

## CRIMP JACK



Order Code  
RFJ-MMS-C1N502-58

## R/A CRIMP PLUG



Order Code  
RFP-MMR-C1N502-58

Other MMCX types available on request