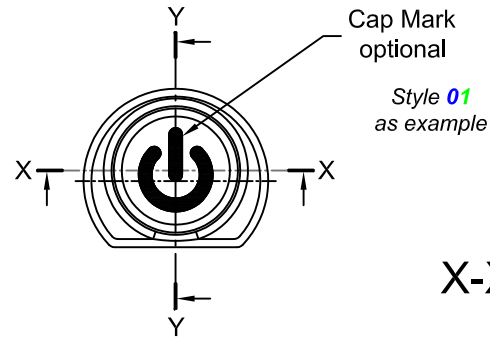


REV.	DESCRIPTION	DATE	DRAWN
A	New	29.11.2018	Ronny
B	general update	10.01.2019	Ronny

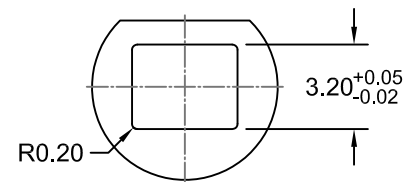
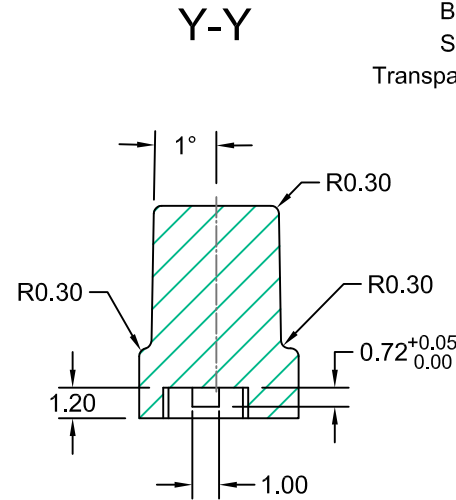
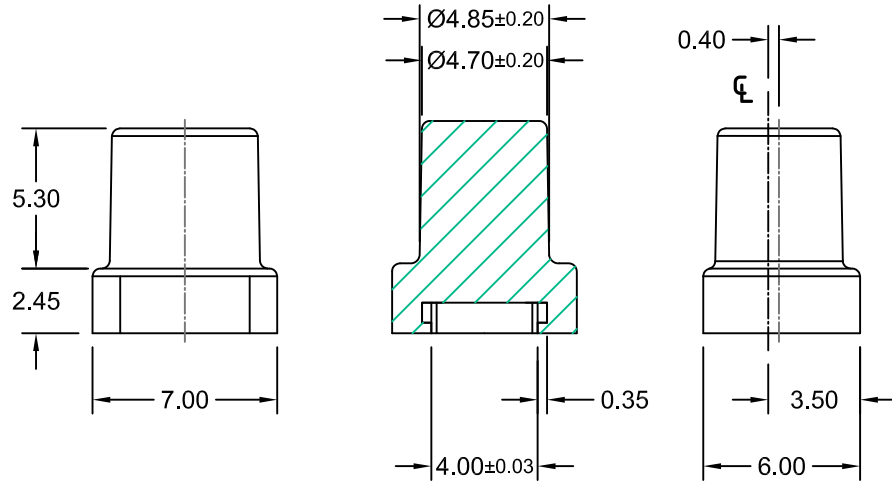


**Order Code**  
TCP-775-81X **xx**

Cap Color  
(Powder coated)

Black = **B**  
Silver = **S**  
Transparent = **T**

Cap Mark



1 <sup>st</sup>	2 <sup>nd</sup>	0	1	2	3	4	5	6	7	8	9
0	NO Mark	⏻	⏪	⏩	⏹	ⓘ	⏪	⏩	⏹	?	⊙
1	⏻	⏪	⏩	⏹	ⓘ	⏪	⏩	⏹	RESET	BIOS	⏻
2	START	RESET	Reset	clr CMOS	clr CMOS	Turbo					
3	⏪	⏩	⏹	⏹	+	-	△	●			



**Material**  
PC (Polycarbonate) UL 94V-0

E-tec 2019 © - all rights reserved www.e-tec.asia



UNIT	mm	GENERAL TOLERANCE		DRAWN	DATE	DWG. NO.	SHEET 2/2
SCALE	Free	X.° ±	X. ±	Ronny	29.11.2018	TCP-775-81	REV. B
		.X° ±	.X ±	Hogi	10.01.2019	SERIES NO.	
		.XX° ±	.XX ± 0.05	Hogi	10.01.2019	TCP-775-81Xxx	
		.XXX° ±	.XXX ±				

**Cap**  
**for LED Illuminated**  
**Tactile Switches**