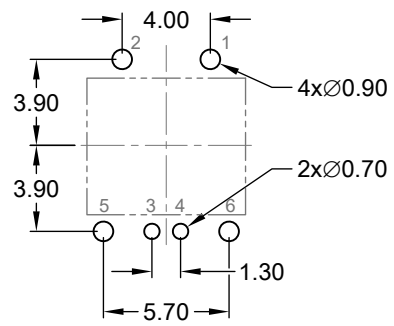
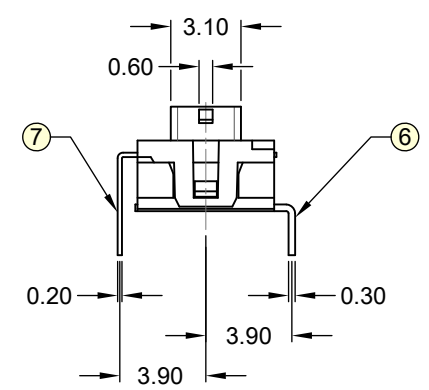
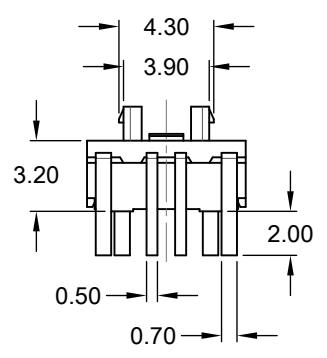
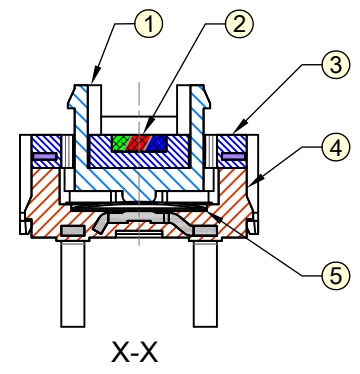
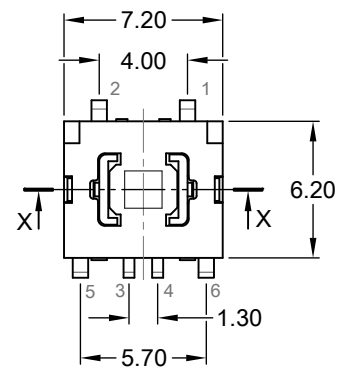
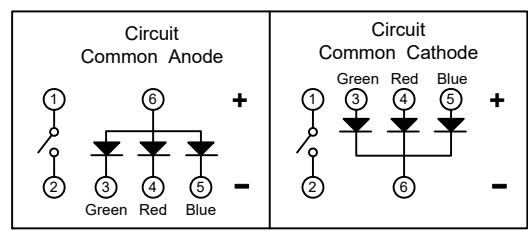


REV.	DESCRIPTION	DATE	DRAWN
A	New	29.11.2018	Ronny
B	correct sheet 1/2 general update	10.01.2019	Ronny
C	remove tube packing/ updated	04.10.2021	Cherry
D	General update	16.05.2022	Cheng



Recommended PCB Hole Layout
(Top View)

For more technical information, see
Product Specification **ETEC/A-SW-011**



Order Code
TLS-76-S/W/X XX S X/6SZ

Packing
C = Reel
M = Tray (Blister)

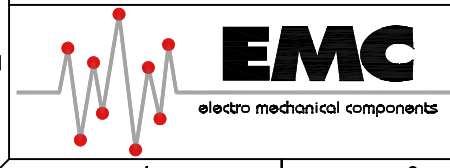
LED Color
FA = full (RGB) Common Anode
FC = full (RGB) Common Cathode

Operating force
N = 160g
R = 260g



Item	Desc.	Material / Finish (color)
1	Stem	PA / black
2	LED	RGB
3	Cover	PA / black
4	Base	PA / black
5	Contact	Steel / Silver over Nickel
6	Terminal	Brass / Silver over Nickel
7	LED Terminal	Phosphor Bronze / Silver over Nickel

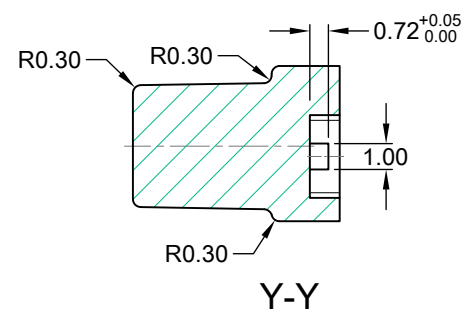
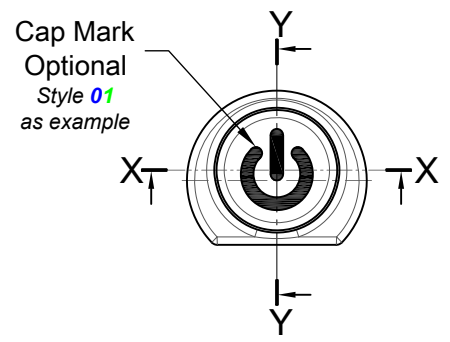
EMC 2022 © - all rights reserved www.emc.de



UNIT	GENERAL TOLERANCE	DRAWN	DATE	DWG. NO.	SHEET 1/2
mm	X.° ± X. ±	Ronny	29.11.2016	TLS-76-S/W/6SZ	
SCALE Free	.X° ± .X ±	CHECK Ronny	16.05.2022		REV. D
	.XX° ± .XX ± 0.20	APPROVE Fagi	16.05.2022	SERIES NO. TLS-76-S/W/XXXSX/6SZ	
	.XXX° ± .XXX ±				

LED Illuminated Tactile Switch
-THT- Straight
without Cap
(Cap Information see Sheet 2/2)

REV.	DESCRIPTION	DATE	DRAWN
A	New	29.11.2018	Ronny
B	General update	10.01.2019	Ronny
C	New frame / add 3D	14.04.2021	Ronny
D	General Update	12.05.2022	Cherry

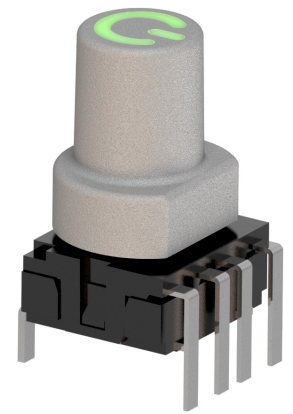
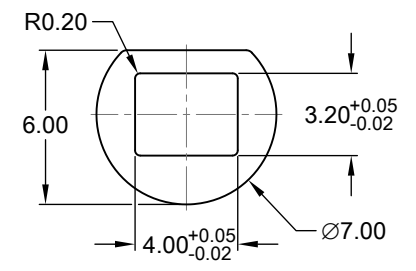
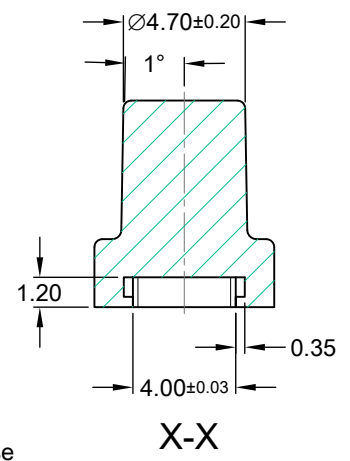
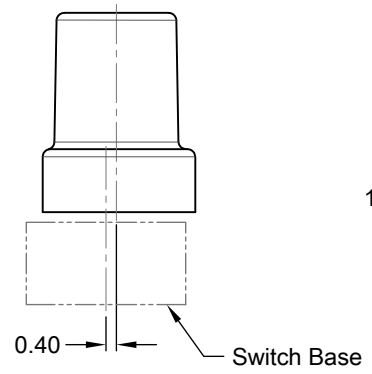
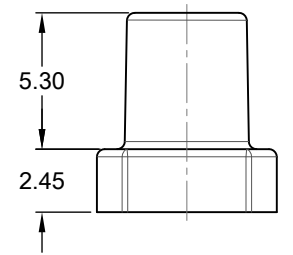


Order Code
TCP-775-81X **XX**

Cap Color
(Powder coated)
Black = **B**
Silver = **S**
Transparent = **T**

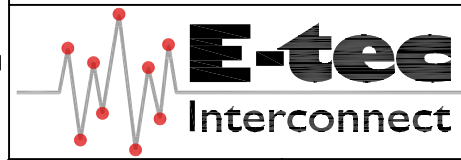
Cap Mark Option

	0	1	2	3	4	5	6	7	8	9
0	NO Mark	⏻	⏪	⏩	⏹	⏺	⏸	⏶	⏷	⏵
1	⏻	⏪	⏩	⏹	⏺	⏸	⏶	⏷	⏵	🔗
2	START	RESET	Reset	CMOS	CMOS	Turbo				
3	⬆	⬅	➡	⬇	+	-	▲	●		



Material
PC (Polycarbonate) UL 94V-0

E-tec 2021 © - all rights reserved www.e-tec.asia



UNIT mm	GENERAL TOLERANCE		DRAWN Ronny	DATE 29.11.2018	DWG. NO. TCP-775-81	SHEET 2/2
	X.° ±	X. ±	CHECK Cheng	DATE 16.05.2022	SERIES NO. TCP-775-81Xxx	REV. D
	.XX° ±	.XX ± 0.05	APPROVE Fagi	DATE 16.05.2022		
	.XXX° ±	.XXX ±				
SCALE Free						

Cap
for LED Illuminated
Tactile Switches