

REV.	DESCRIPTION	DATE	DRAWN
A	NEW	21.11.2014	Ronny

Order Code
TSM-602-RxxRC/1SZ

Stem height Option ("H")

- 00** = 0.00 mm
- 08** = 0.80 mm
- 10** = 1.00 mm
- 23** = 2.35 mm
- 33** = 3.30 mm

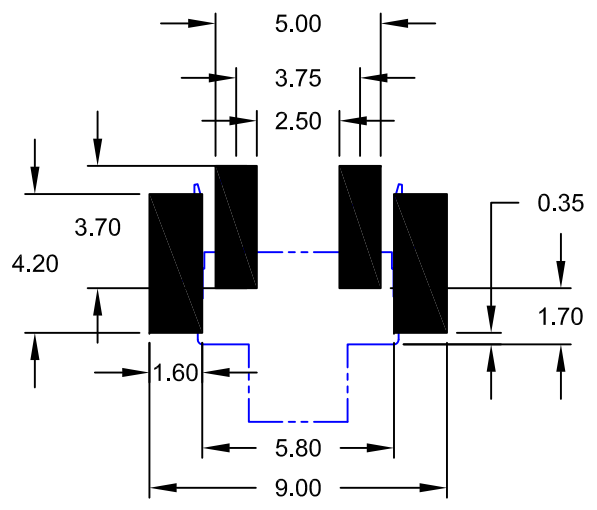
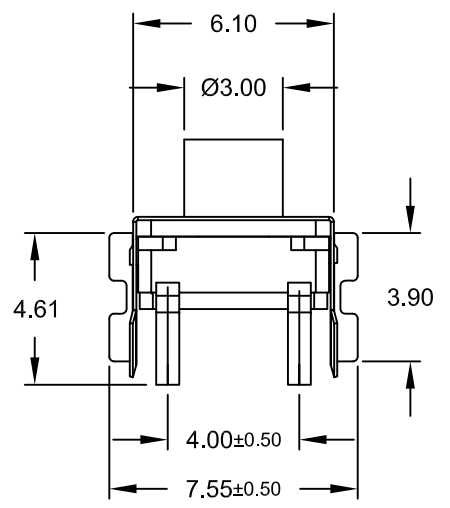
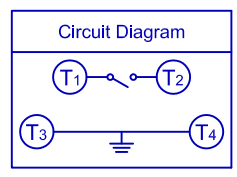
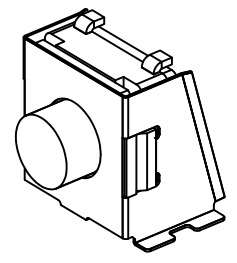
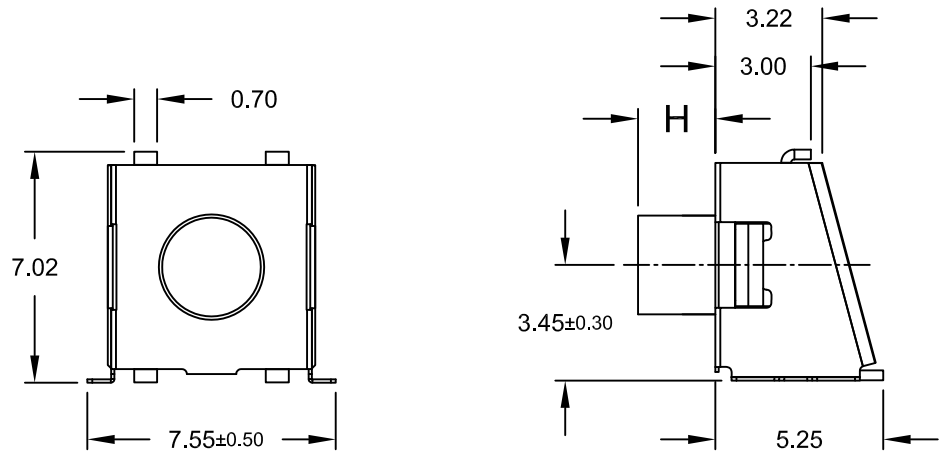
Specifications

Electrical

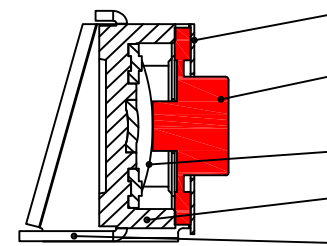
Current rating: 50mA, 12V DC
 Insulation resistance: 100MΩ min.
 Withstanding voltage: 50V AC (50Hz or 60Hz) 1Minute
 Contact resistance: 100mΩ max.
 Temperature range: -40°C to +85°C
 Solder heat resistance: +255°C +0/-5°C
 for 5 to 10 seconds
 Operating force: 2.6N ±0.50N

Packing: Reel (Tube on request)

ITEM	DESC.	MATERIALS	TREATMENT
1	Cover	Ni/Ag	none
2	Stem	Silicone rubber Hardness: 70°-60°	2.6N = red (colour depend on operating force)
3	Contact	Stainless Steel	with Silver cladding
4	Base	Nylon UL 94V-0	molded black
5	Terminal	Brass	with Silver plating 0.5μm



Recommended PCB Layout
(Top View)



UNIT	mm	GENERAL TOLERANCE		DRAWN Lyndon	DATE 21.11.2014					
	SCALE	Free	X.° ±			X. ±	CHECK Hogi	DATE 21.11.2014		
			.X° ±			.X ±			APPROVE Hogi	DATE 01.12.2014
			.XX° ±			.XX ± 0.20				
		.XXX° ±	.XXX ±							

DWG. NO.	TSS-RRC/1SZ	SHEET 1/1
SERIES NO.	TSS-602-RxxRC/1SZ	REV. C

Tactile Switch 90° THT 6x6
2.6N Type
washable