

REV.	DESCRIPTION	DATE	DRAWN
A	New	01.06.2015	Ryan
B	general update; add operating life & material option	04.03.2019	Ryan

Order Code

TSM-602-xx X RC/1SZ

Stem height Option ("H")	Contact Material
0.80 mm = 61	no suffix = Standard PhBz
1.50 mm = 62	S = Stainless Steel
3.50 mm = 63	
6.00 mm = 65	
9.50 mm = 66	

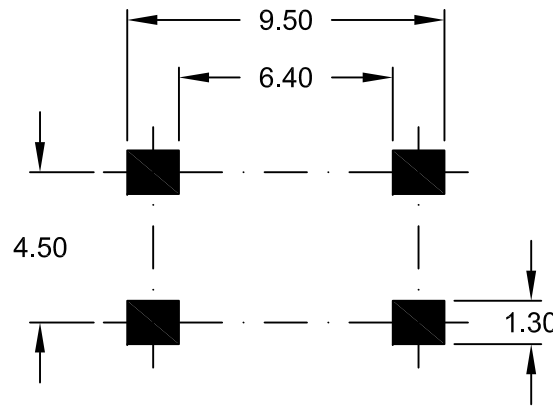
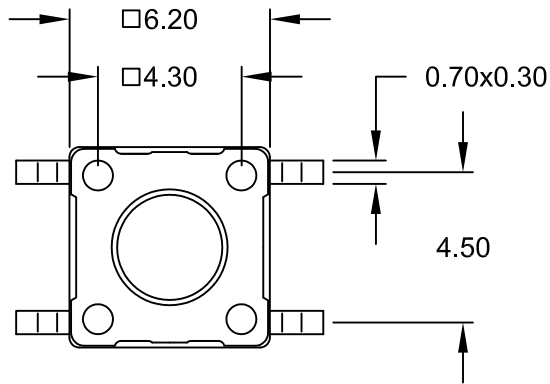
Specifications

Electrical

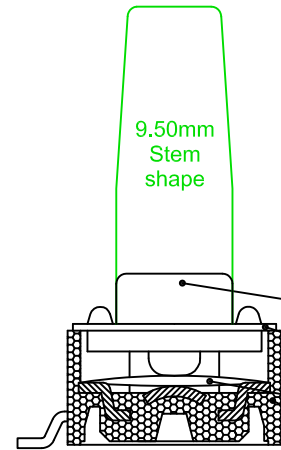
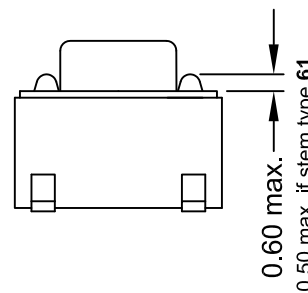
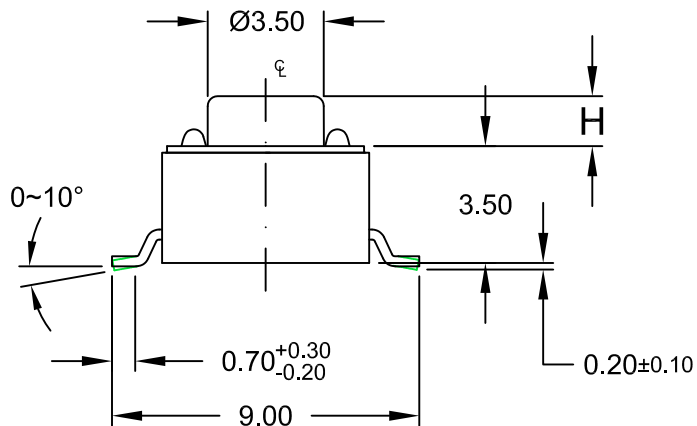
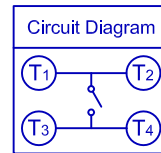
Current rating: 50mA, 12V DC
 Insulation resistance: 100MΩ min.
 Withstanding voltage: 50V AC (50Hz or 60Hz) 1Minute
 Contact resistance: 100mΩ max.
 Temperature range: -40°C to +85°C
 Solder heat resistance: +255°C +0/-5°C
 for 5 to 10 seconds
 Operating force: 2.6N ±0.50N
 Operating life: 100,000 cycles min. if PhBz
 500,000 cycles min. if Stainless Steel

Packing: Reel (*Tube on request*)

ITEM	DESC.	MATERIALS	TREATMENT
1	Stem	Nylon UL 94V-0	2.6N = red (colour depend on operating force)
2	Cover	Stainless Steel	none
3	Contact	Phosphor Bronze or Stainless Steel	with Silver cladding
4	Base	Nylon UL 94V-0	molded brown
5	Terminal	Brass	with Silver plating 0.5μm



Recommended PCB Layout
(Top View)



E-tec 2019 © - all rights reserved www.e-tec.asia



UNIT	mm	GENERAL TOLERANCE		DRAWN	DATE	DWG. NO.	SHEET 1/1
SCALE	Free	X.° ±	X. ±	Ryan	01.06.2015	TSM-6RC/1SZ	REV. B
		.X° ±	.X ±	Hogi	07.03.2019	SERIES NO.	
		.XX° ±	.XX ± 0.20	APPROVE	DATE	TSM-602-xxRC/1SZ	
		.XXX° ±	.XXX ±	Hogi	07.03.2019		

Tactile Switch SMT 6x6
2.6N Type
NON-washable