

| REV. | DESCRIPTION | DATE | DRAWN |
|------|-------------------------------|------------|--------|
| A | NEW | 20.02.2008 | Lyndon |
| B | PN: -RxxX-AG -> R62N/1SZ | 11.07.2013 | Ronny |
| C | update RoHS: add Stem options | 24.11.2014 | Ronny |

Order Code TSS-602-RxxN/1SZ

Stem height Option ("H")

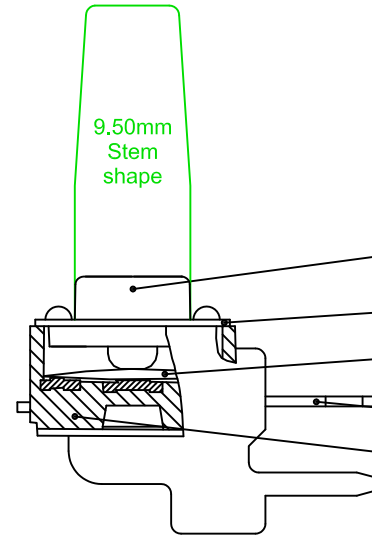
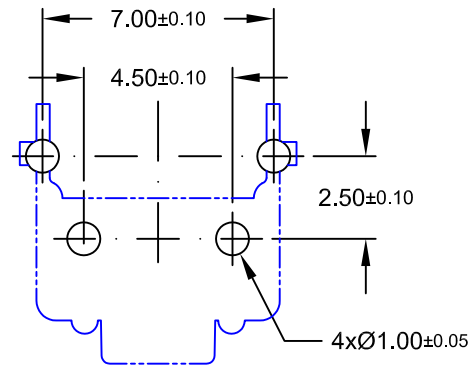
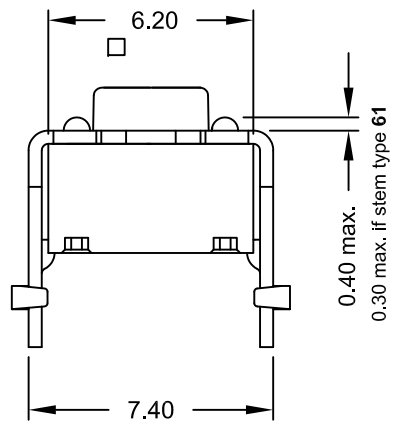
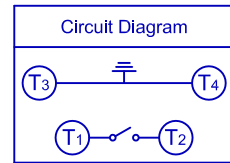
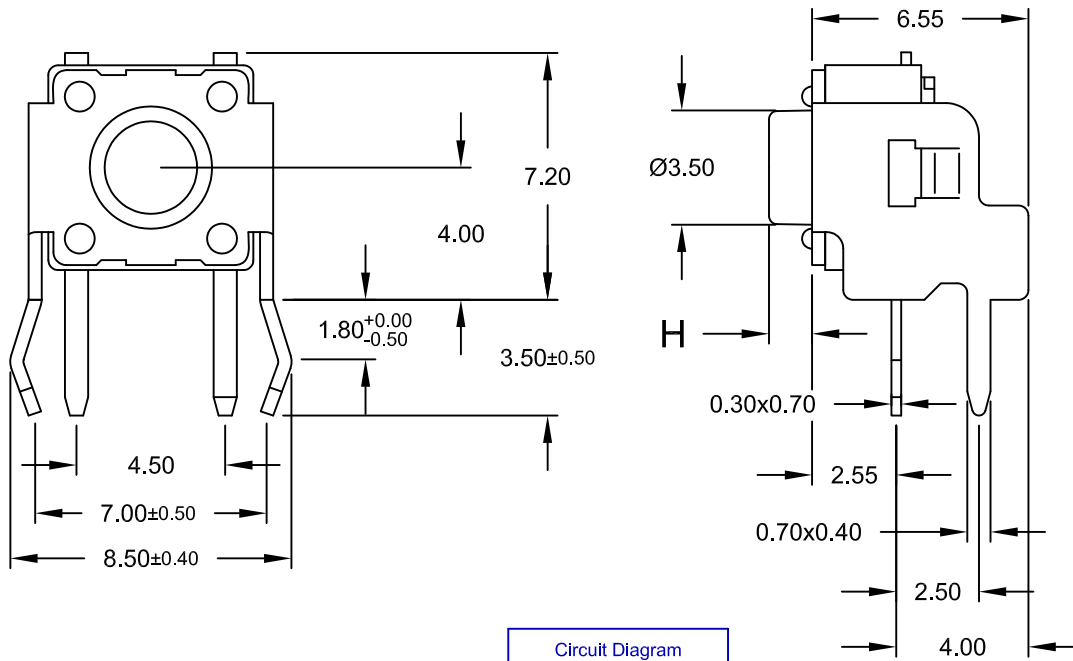
- 61** = 0.60 mm
- 62** = 1.30 mm
- 63** = 3.30 mm
- 65** = 5.80 mm
- 66** = 9.30 mm

Specifications

Electrical

Current rating: 50mA, 12V DC
 Insulation resistance: 100MΩ min.
 Withstanding voltage: 50V AC (50Hz or 60Hz) 1Minute
 Contact resistance: 100mΩ max.
 Temperature range: -40°C to +85°C
 Solder heat resistance: +255°C +0/-5°C
 for 5 to 10 seconds
 Operating force: 1.6N ±0.50N

| ITEM | DESC. | MATERIALS | TREATMENT |
|------|----------|-----------------|--|
| 1 | Stem | Nylon UL 94V-0 | 1.6N = brown (colour depend on operating force) |
| 2 | Cover | stainless steel | none |
| 3 | Contact | Phosphor Bronze | with Silver cladding |
| 4 | Terminal | Brass | with Silver plating 0.5µm |
| 5 | Base | Nylon UL 94V-0 | molded black |



| UNIT | SCALE | GENERAL TOLERANCE | DRAWN | DATE | DWG. NO. | SHEET 1/1 |
|------|-------|-------------------|--------|------------|------------------|-----------|
| mm | Free | X.° ± X. ± | Lyndon | 20.02.2008 | TSS-R6N/1SZ | REV. C |
| | | .X° ± .XX ± 0.20 | Hogi | 24.11.2014 | SERIES NO. | |
| | | .XXX° ± .XXX ± | Hogi | 25.11.2014 | TSS-602-RxxN/1SZ | |

Tactile Switch 90° THT 6x6
1.6N Type
NON-washable