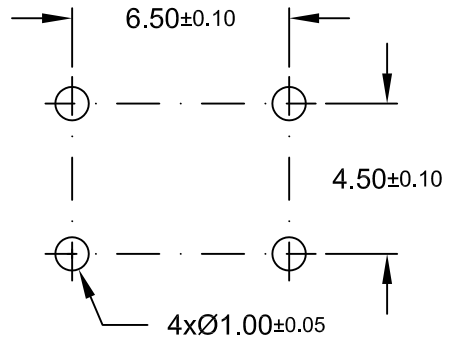
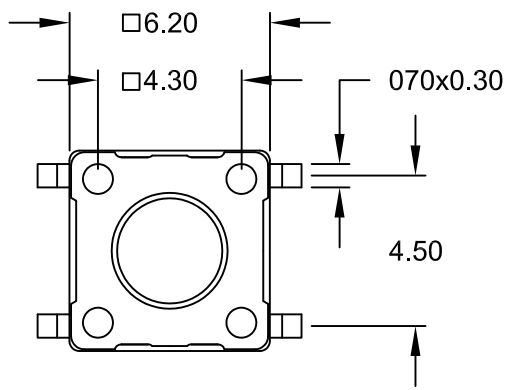
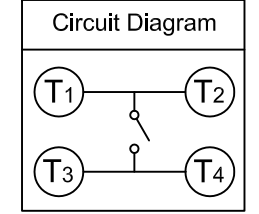


REV.	DESCRIPTION	DATE	DRAWN
A	NEW	25.05.2002	RH
B	correct temp.	10.01.2011	Ronny
C	update RoHS	24.11.2014	Ronny



Recommended PCB Layout
(Top View)

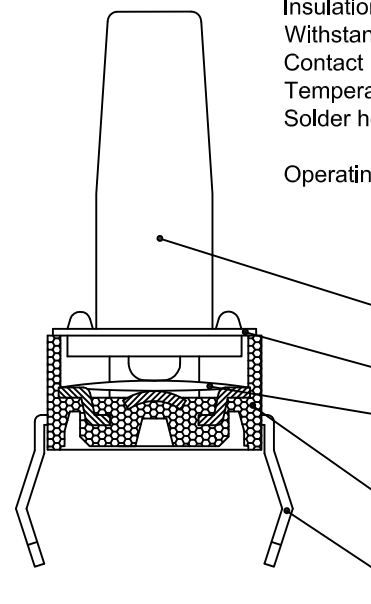
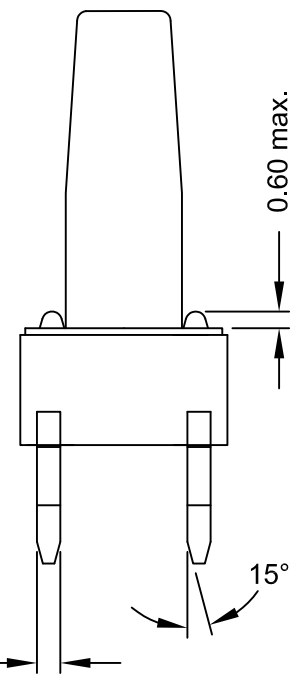
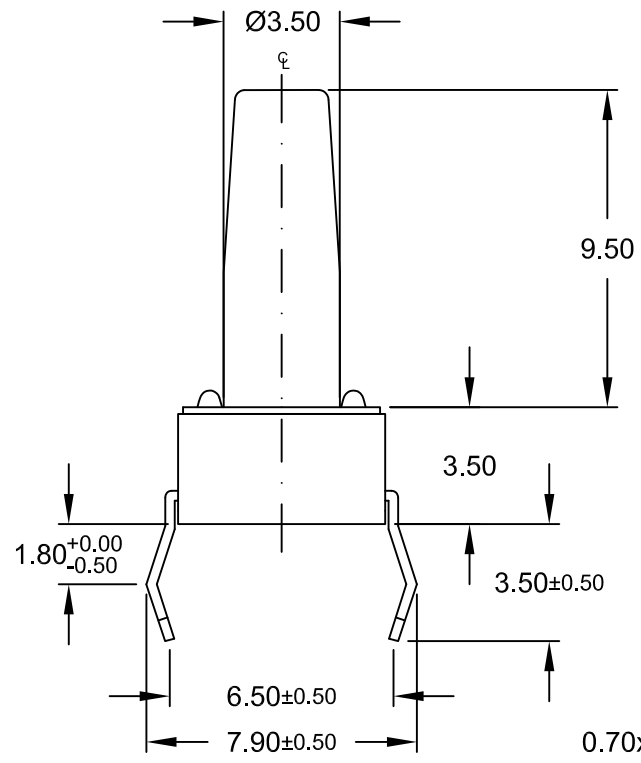
Order Code
TSS-602-60NT/1SZ



Specifications

Electrical

Current rating: 50mA, 12V DC
 Insulation resistance: 100MΩ min.
 Withstanding voltage: 50V AC (50Hz or 60Hz) 1Minute
 Contact resistance: 100mΩ max.
 Temperature range: -40°C to +85°C
 Solder heat resistance: +255°C +0/-5°C
 for 5 to 10 seconds
 Operating force: 1.6N ±0.50N



ITEM	DESC.	Q'TY	MATERIALS	TREATMENT
1	Stem	1	high- temp thermoplastic Nylon UL 94V-0	colour depend on operating force (1.6N = brown)
2	Cover	1	stainless steel	none
3	Contact	1	Phosphor Bronze	with Silver cladding
4	Base	1	high- temp thermoplastic Nylon UL 94V-0	molded brown
5	Terminal	1	Brass	with Silver plating 0.5µm



UNIT	mm	GENERAL TOLERANCE		DRAWN	RH	DATE	25.05.2002
SCALE	Free	X.° ±	X. ±	CHECK	Ronny	DATE	24.11.2014
		.XX° ±	.XX ± 0.20	APPROVE	Hogi	DATE	24.11.2014
		.XXX° ±	.XXX ±				

DWG. NO.	TSS-60NT/1SZ	SHEET 1/1
SERIES NO.	TSS-602-xxNT/1SZ	REV. C

Tactile Switch THT 6x6
1.6N Type stem height 9.50mm
kinked solder legs NON-washable