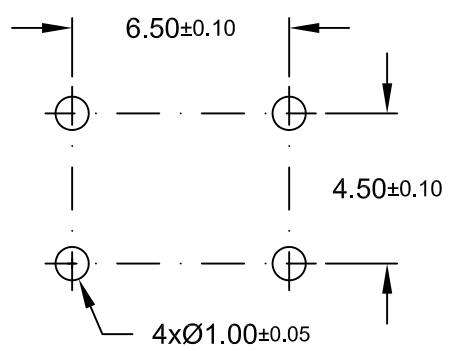
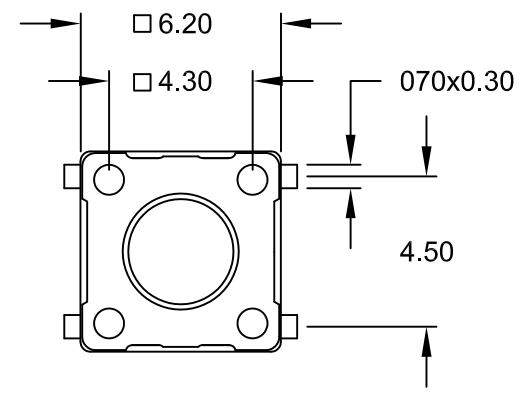
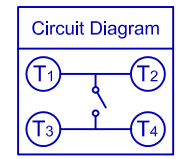


REV.	DESCRIPTION	DATE	DRAWN
A	NEW	21.07.2015	Ronny



Recommended PCB Layout  
(Top View)



### Order Code

## TSS-602-xxRST/1SZ

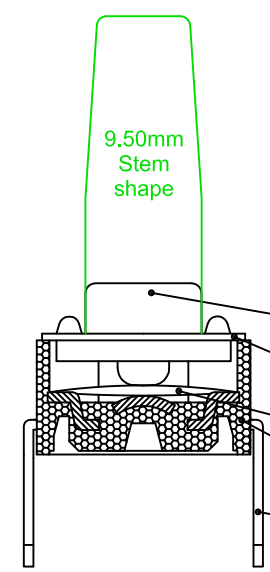
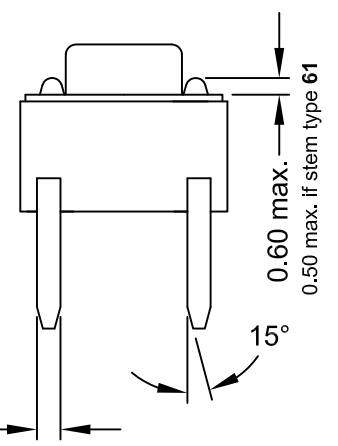
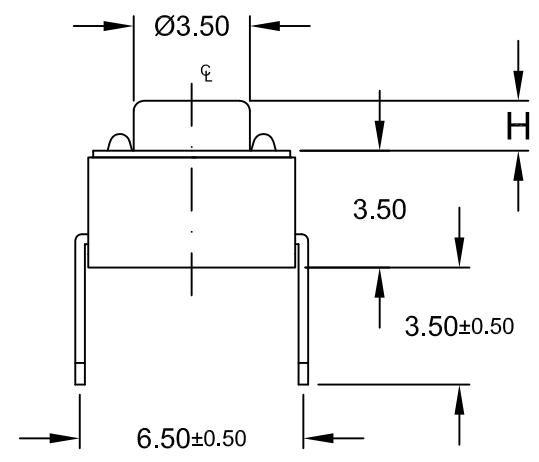
Stem height Option ("H")

- 61** = 0.80 mm
- 62** = 1.50 mm
- 63** = 3.50 mm
- 65** = 6.00 mm
- 66** = 9.50 mm

### Specifications

#### Electrical

Current rating: 50mA, 12V DC  
 Insulation resistance: 100MΩ min.  
 Withstanding voltage: 50V AC (50Hz or 60Hz) 1Minute  
 Contact resistance: 100mΩ max.  
 Temperature range: -40°C to +85°C  
 Solder heat resistance: +255°C +0/-5°C  
 for 5 to 10 seconds  
 Operating force: 2.6N ±0.50N



ITEM	DESC.	MATERIALS	TREATMENT
1	Stem	Nylon UL 94V-0	2.6N = red (colour depend on operating force)
2	Cover	stainless steel	none
3	Contact	Phosphor Bronze	with Silver cladding
4	Base	Nylon UL 94V-0	molded black
5	Terminal	Brass	with Silver plating 0.5µm



UNIT	SCALE	GENERAL TOLERANCE		DRAWN	DATE	DWG. NO.	SHEET 1/1
mm	Free	X.° ±	X. ±	Ronny	21.07.2015	TSS-6RST/1SZ	REV. A
		.XX° ±	.XX ± 0.20	Oliver	21.07.2015	SERIES NO.	
		.XXX° ±	.XXX ±	Hogi	21.07.2015	TSS-602-xxRST/1SZ	

**Tactile Switch THT 6x6**  
**2.6N Type**  
 straight solder legs **NON-washable**